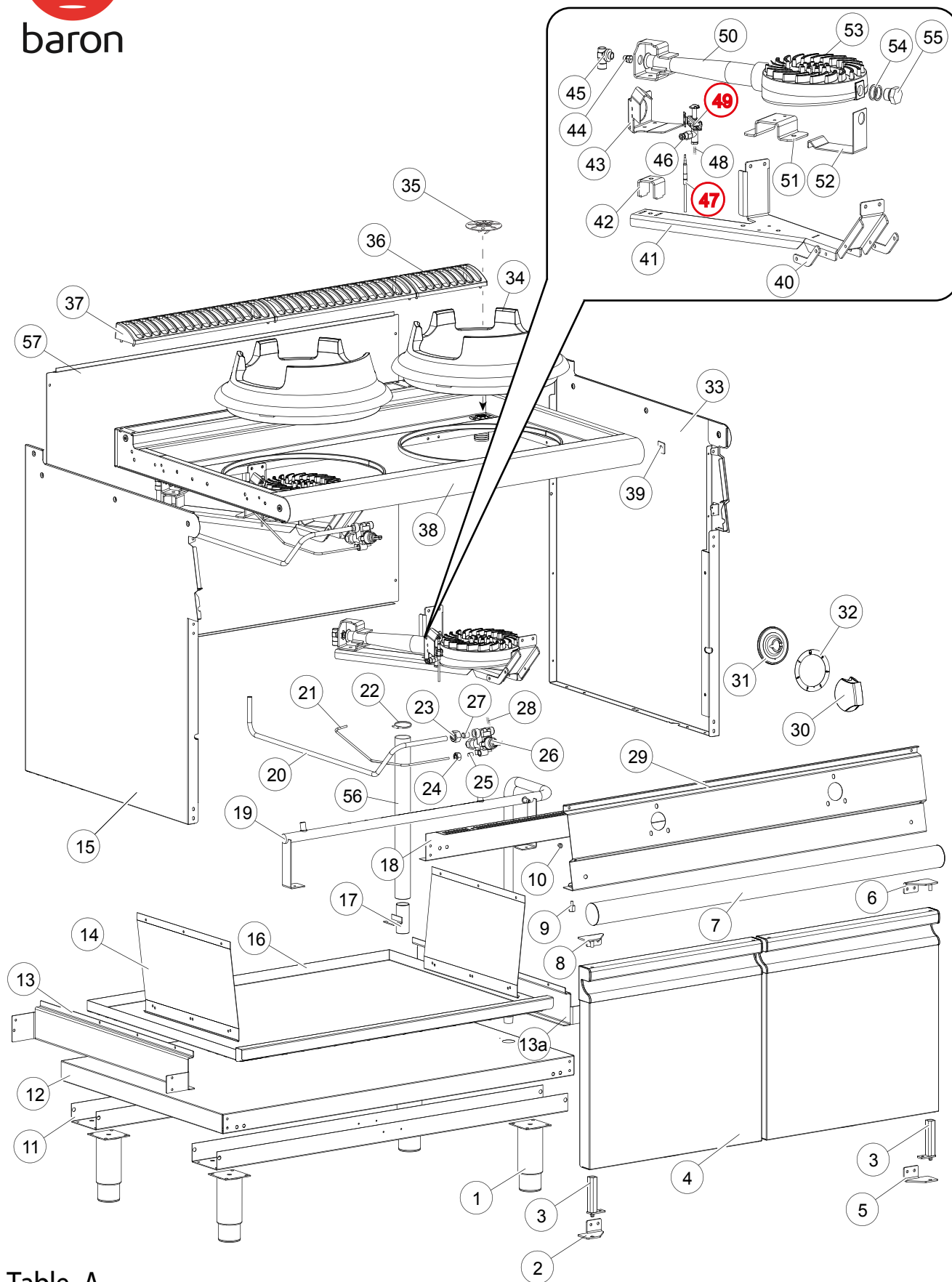




# QUEEN7 GAS WOK / WOK A GAS



Table\_A

EDITION 03 2019

\* >>> Ricambio consigliato/raccomended part  
#>>> Accessorio/accessory

CR1012839 Q70PCV/WG1028

**QUEEN7**  
**GAS WOK / WOK A GAS**

Table\_A

POS.	CODE/CODICE	PIECES	DESCRIPTION	DESCRIZIONE	DATA	R.C.
1	MA6086113	4	ASSEMBLY FEET	ASS.PIEDINO /1 3/4 INOX FLANG.H150		
2	CR1024550	1	LEFT BOTTOM DOOR HINGE	CERN. INFER. SX PORTA AUTOCHIUDENTE 1100		
3	BN1412052	2	DOOR SPRING	CERNIERA INF PIVOT CT5000		
4	CR1177410	2	ASSEMBLY DOOR	PORTA MONTATA VANO M50 BARON B18		
5	CR1024540	1	RIGHT BOTTOM DOOR HINGE	CERN. INFER. DX PORTA AUTOCHIUDENTE 1100		
6	CR1024560	1	RIGHT UPPER DOOR HINGE	ASS. CERN. SUP. DX PORTA AUTOCHIUD. 1100		
7	CR1176750	1	ASSEMBLY DASHBOARD HANDLE	ASS. TUBO FRONTALE CRUSC. M100 BARON B18		
8	CR1024570	1	LEFT UPPER DOOR HINGE	ASS. CERN. SUP. SX PORTA AUTOCHIUD. 1100		
9	CR1265630	3	BOTTOM DASHBOARD SPACER	DISTANZIALE CRUSCOTTI BARON B18		
10	CR0585560	4	DASHBOARD SPACER	DISTANZIALE PER CRUSCOTTO		
11	CR1162180	2	BOTTOM CROSSBAR	TRAVERSA INFERIORE VANO M100		
12	CR1171010	1	BOTTOM PANEL	RIP. INFERIORE VANO M100 700 WOK BARON		
13	CR1170860	1	LEFT DRAIN TRAY GUIDE	GUIDA SX LECCARDA WOK GAS 700 BARON		
	CR1170870	1	RIGHT DRAIN TRAY GUIDE	GUIDA DX LECCARDA WOK GAS 700 BARON		
14	CR1170850	2	WOK GAS CHUTE	SCIVOLO WOK GAS		
15	CR1265810	1	LEFT ASSEMBLY SIDE PANEL	ASS.FIANCO SX MONOBL. 700 BARON B18		
16	CR1170990	1	DRAIN TRAY	LECCARDA WOK M100		
17	CR0730901	1	ASSEMBLY DRAIN GRID	ASSIEME SCARICO TUTTAPIASTRA NCT9		
18	CR1170960	1	UPPER CROSSBAR	TRAVERSA SUP. MONOBL. WOK M100 BARON		
19	CR1170520	1	ASSEMBLY GAS RAMP	ASS. RAMPA PCG/WOK M100 BARON		
20	CR1170510	2	BURNER PIPE D.10	CONDUTTURA D.10 WOK 700 BARON		
21	CR1170500	2	PILOT PIPE	CONDUTTURA D.4 PILOTA WOK 700 BARON		
22	BN826900440	1	INOX CLAMP 25-40	FASCETTA INOX 25-40		
23	MA1326500	2	NUT M16X1,5	DADO PREMIOGIVA M16X1,5		
	BN6A011475	2	NUT 20X1,5 D.10	DADO FE 20X1,5 TUBO 10 R.A. 0907/1		
	BN6A016200	2	NUT 20X1,5 D.12	DADO 20 X 1,5 PER BIC. DIAM. 12		
24	MA673500	2	PILOT NUT	DADO M10 x 1/4		
25	MA673600	2	PILOT BICONE	BICONO /4 S		
26	MA1888600	2	GAS TAP 22S	RUBINETTO GAS PEL 22S /180		
27	BN6A011470	2	BURNER BICONE D.10	BICONO ENTR-USC. D.10 RACC.ANG.0910		
	BN6A016300	2	TAP BICONE D.12	BICONO DA 12 PEL 0906		
	MA86720	2	BICONE /10	BICONO /10 SIT 0957004		
28	TAB. D	2	MINIMUM TAP SCREW	VITE DI MINIMO		
29	CR1178190	1	DASHOBARD	CRUSCOTTO WOK GAS M100 BARON B18		
30	CR1176150R	2	ASSEMBLY KNOB	MANOPOLA ALBERINO D.10 CROMATA BARON B18		
31	CR1176160	2	UNDER KNOB	PLACCA CROMATA MANOPOLA BARON B18		
32	CR1176250	2	KNOB DISC	DISCO PLACCA D76.5 CUC.GAS.ANT.BARON B18		
33	CR1265800	1	RIGHT ASSEMBLY SIDE PANEL	ASS.FIANCO DX MONOBL. 700 BARON B18		
34	CR1029420	2	CAST IRON WOK RING	ANELLO WOK		
35	BN2599100	1	ASSEMBLY DRAIN GRID	ASS. GRIGLIA SCARICO CUOCIPASTA		
36	CR0901250	1	CHIMNEY GRID M20	@BN-GRIGLIA SC/FUMI GHISA M20 BARON		
37	CR0901240		CHIMNEY GRID M40	@BN-GRIGLIA SC/FUMI GHISA M40 BARON		
38	CR1178800	1	ASSEMBLY TOP PLATE	ASS. PIANO WOK GAS M100 700 BARON B18		
39	CR1313790	4	TOP PLATE SPACER	SPESSORE INTERMEDIO TESTATINE		
40	CR1170680	4	BURNER SUPPORT REINFORCEMEN	RINF. SUPPORTO BRUCIATORE WOK		
41	CR1170670	2	ASSEMBLY BURNER SUPPORT	SUPPORTO BRUCIATORE WOK		
42	CR1170700	2	VENTURI SUPPORT BRACKET	SQ. SUPPORTO VENTURI WOK 10KW		
43	CR1170690	2	VENTURI BURNER SUPPORT	SUPPORTO VENTURI E PILOTA WOK		
44	TAB. B	2	BURNER NOZZLE	UGELLO BRUCIATORE		
45	MACM238701	1	NOZZLE HOLDER	PORTAUGELLO TUTTAPIASTRA 700		
46	MA1394700	2	PILOT JUNCTION	USCITA PILOTA RACC./4 SIT 0958030		
47	MA1031501500	2	THERMOCOUPLE	TERMOCOPPIA M9X1 L=500		
48	TAB. C	2	PILOT NOZZLE	UGELLO PILOTA		
49	BN6A013200	2	PILOT BODY	PILOTA 1095 PER FORNO 0100001		
50	CR1029460	2	BURNER VENTURI	VENTURI [C] BRUCIATORE WOK		
51	CR1170710	2	PILOT SUPPORT	SUPPORTO SQ. PILOTA WOK 10KW		
52	CR1170730	1	BURNER LOCK BRACKET	SQ. FERMA BRUCIATORE WOK 14KW		
53	CR1029410	2	WOK BURNER	BRUCIATORE WOK		
54	CR1170470	4	BURNER PLUG GASKET	GUARNIZ. RAME 1/2 21.5x27x1.5T (934-08)		
55	CR1170460	2	BURNER PLUG	TAPPO G1/2 BRUCIATORE WOK (932-08)		
56	CR1227600	1	DRAIN PIPE	TUBO SCARICO TROPPOPIENO CUOCIPASTA 72cm		
57	CR1170950	1	REAR PANEL	SCHIENALE MONOBLOCCO M100 700		

\* >>> Ricambio consigliato

# >>> Accessorio

**QUEEN7**  
GAS WOK / WOK A GAS

Table\_B

POS.	CODE/CODICE	PIECES	DESCRIPTION	DESCRIZIONE	DATA	C
44	CR1162310	1	BURNER NOZZLE 320R	UGELLO CORTO RALLENTATO /320R	G20 20mbar	
44	CR1162320	1	BURNER NOZZLE 285R	UGELLO CORTO RALLENTATO /350R	G25 20mbar	
44	CR1162310	1	BURNER NOZZLE 320R	UGELLO CORTO RALLENTATO /320R	G25.3 25mbar	
44	MA523111	1	BURNER NOZZLE 190	UGELLO CORTO /190	G30/31 28/30mbar	
44	MA522611	1	BURNER NOZZLE 165	UGELLO CORTO /165	G30/31 50mbar	

Table\_C

POS.	CODICE	PEZZI	DESCRIPTION	DESCRIZIONE	DATA	C
48	CR0684580	2	PILOT NOZZLE /40	UGELLO PILOTA /40 SIT 0977032	G20 20mbar	
48	CR0684580	2	PILOT NOZZLE /40	UGELLO PILOTA /40 SIT 0977032	G25 20mbar	
48	CR0684580	2	PILOT NOZZLE /40	UGELLO PILOTA /40 SIT 0977032	G25.3 25mbar	
48	MA1842300	2	PILOT NOZZLE /25	UGELLO PILOTA /25 SIT 0977051	G30/31 28/30mbar	
48	MA1842300	2	PILOT NOZZLE /25	UGELLO PILOTA /25 SIT 0977051	G30/31 50mbar	

Table\_D

POS.	CODICE	PEZZI	DESCRIPTION	DESCRIZIONE	DATA	C
28	MA1883800	2	MINIMUM SCREW 1,80	VITE MINIMO 1,80 RUBINETTO 22S	G20 20mbar	
28	MA1883800	2	MINIMUM SCREW 1,80	VITE MINIMO 1,80 RUBINETTO 22S	G25 20mbar	
28	MA1883800	2	MINIMUM SCREW 1,80	VITE MINIMO 1,80 RUBINETTO 22S	G25.3 25mbar	
28	CR0683130	2	MINIMUM SCREW 1,35	VITE MINIMO 1,35 RUBINETTO 22S	G30/31 28/30mbar	
28	CR0683130	2	MINIMUM SCREW 1,35	VITE MINIMO 1,35 RUBINETTO 22S	G30/31 50mbar	

\* >>> Ricambio consigliato

# >>> Accessorio