

Table_A

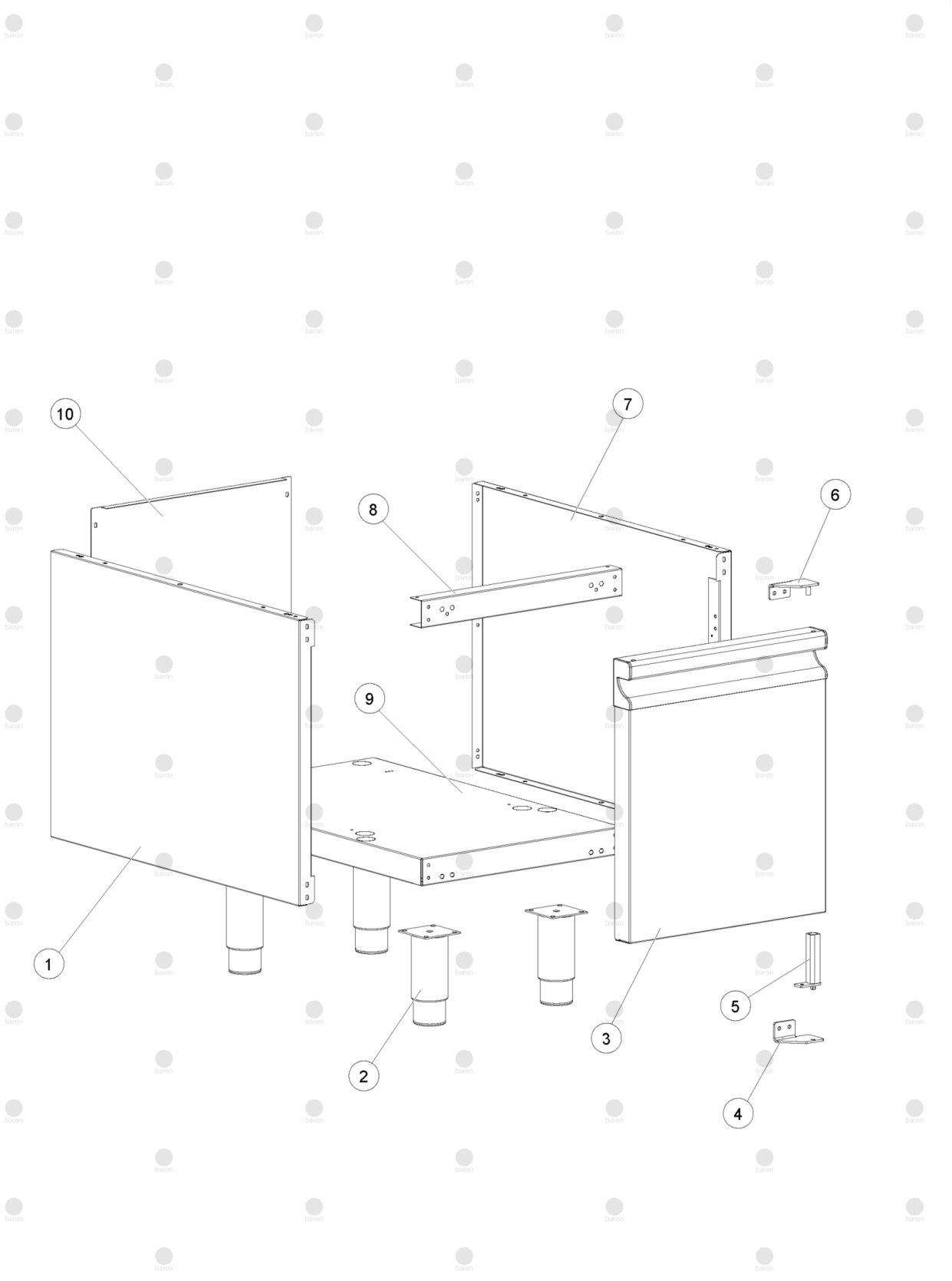
EDITION 06 2019

CR1014549 - CR1014559 Q70BM-BMV/E410

Pos	Art.- Nr.	Bezeichnung
0001	BN2540060	HALTERUNG [C]
0002	MA1036500500	FUSS [C]
0003	MA1878400	KLEMMBRETT [C]
0004	SI0100655	RIDUZIONE 3/4F CIL.1/2M CON. IN PLASTICA
0005	CR1313340	VALVOLA ANTIRIFLUSSO EA
0006	CR1020950	CONTRODADO OBO 116/PG16 NY
0007	CR1020940	KABELKLEMME
0008	CR1265630	DISTANZIERSTÄCK [C]
0009	CR0585560	DISTANZIERSTÄCK [C] BEDIENUNGSBRETT
0010	CR1176690	MANIGLIA PORTA M40 OLIS
0011	CR1312720	ARMATURENBRETT [C]
0012	BN6A036203	2 POLE-KLEMMBRETT [C]
0013	CR0971330	SUPPORTO MORSETTIERA BM ELE BARON
0014	MA1634200	HEIZELEMENT [C] WASSERBAD
0015	CR0585100	SCATOLA RESISTENZA BAGNOMARIA 900 M40
0016	CR1220380R	MAGNETVENTIL [C] WASSER
0017	CR1360300	SUPPORTO VALVOLA DI CARICO RONER/BM
0018	CR1312660	SUPPORTO THERMOST.SIC.BAGNOM.EL.BARON B18
0019	CR0585120	THERMOSTATO SICUREZZA BM EGO 55.32522.858
0020	MACM125600	SUPPORTO RESISTENZE BAGNOMARIA M40
0021	MA1033501800	SHELLE [C]
0022	SI8205240	ROHR [C]
0023	MA1033501800	SHELLE [C]
0024	CR1228790	CONTRODADO DA 1/2 X RACC.TUBO FLES.
0025	SI8205270	CABLAGGIO BAGNOMARIA M40
0026	SI0100495	WASSERZULAUFDÄSE F.BAINMARIE
0027	MA1528200	DICHTUNG FUER BM900 1M GAS/EL.
0028	SI0100684	GUMMIHALTER 3/8
0029	MA1230100	SCHALTER [C]
0030	CR0587650	DICHTUNG [C] WELLE
0031	CR1176160	PLACCA CROMATA MANOPOLA BARON B18
0032	CR1176420	SCHEIBE [C] PLATTE D. 76,5 BARON
0033	CR1360950R	MANOP. COMP. ALB. D.6 C/MOLLA CROMAT.B18
0034	CR0410290	KNOPF [C]
0035	CR0410310	DECKEL [C] SP60PRT1
0036	CR1176370	SCHEIBE [C] PLATTE D. 76,5 BARON
0037	MA1037035015	THERMOSTAT [C] 30°-90°C
0038	CR0587500	ORANGE KONTROLLAMPE [C]
0039	CR1265620	FLANSCH
0040	CR1265780	RECHTE FLANKE [C] TOP 700 BARON B18
0041	CR1265790	LINKE FLANKE [C] TOP 700 BARON B18
0042	CR0581360	SCHIENALE TOP M40
0043	MACM142200	QUERHAUPT [C] 700
0044	MACM142100	UEBERLAUFROHR [C] WASSERBAD
0045	MACM142000	DICHTUNG [C] 20,22X3,53
0046	CR1314430	VERSCHLUSS [C] RAUCHABZUG BARON
0047	CR1176580	SCHUTZGITTER [C] RAUCHABLAUF



Pos	Art.- Nr.	Bezeichnung
0048	CR1312800	BODEN [C] M40 BARON B18
0049	CR0738990	SUPPORTO BULBO TERM.BM 700
0050	CR0738971	SUPPORTO BULBO TERM.SIC.BM 700 M40
0051	CR0732340	FALSOFONDO BAGNOMARIA 700 M40
0052	CR1312940	ASS.PIANO-VASCA BAGNOM.70 M40 BARON B18



Table_B

EDITION 06 2019

CR1014549 - CR1014559 Q70BM-BMV/E410

Pos	Art.- Nr.	Bezeichnung
0001	CR0907020	FIANCO BASE VANO 700 BARON
0002	MA6086113	FUSSGRUPPE [C] H. 200
0003	CR1177400	PORTA MONTATA 40-80 DIAMAN.70-90/10 LOGO
0004	CR1024540	CERN. INFER. DX PORTA AUTOCHIUDENTE 1100
0004	CR1024550	CERN. INFER. SX PORTA AUTOCHIUDENTE 1100
0005	BN1412052	UNTERE SCHARNIER [R]
0006	CR1024560	ASS. CERN. SUP. DX PORTA AUTOCHIUD. 1100
0006	CR1024570	ASS. CERN. SUP. SX PORTA AUTOCHIUD. 1100
0007	CR0907020	FIANCO BASE VANO 700 BARON
0008	CR0901600	TRAVERSA SUPERIORE BASE VANO M40 BARON
0009	CR0907120	RIPIANO INFERIORE VANO 700 M40 BARON
0010	CR0582760	SCHIENALE BASE VANO M40