

Table_A

EDITION 05 2019

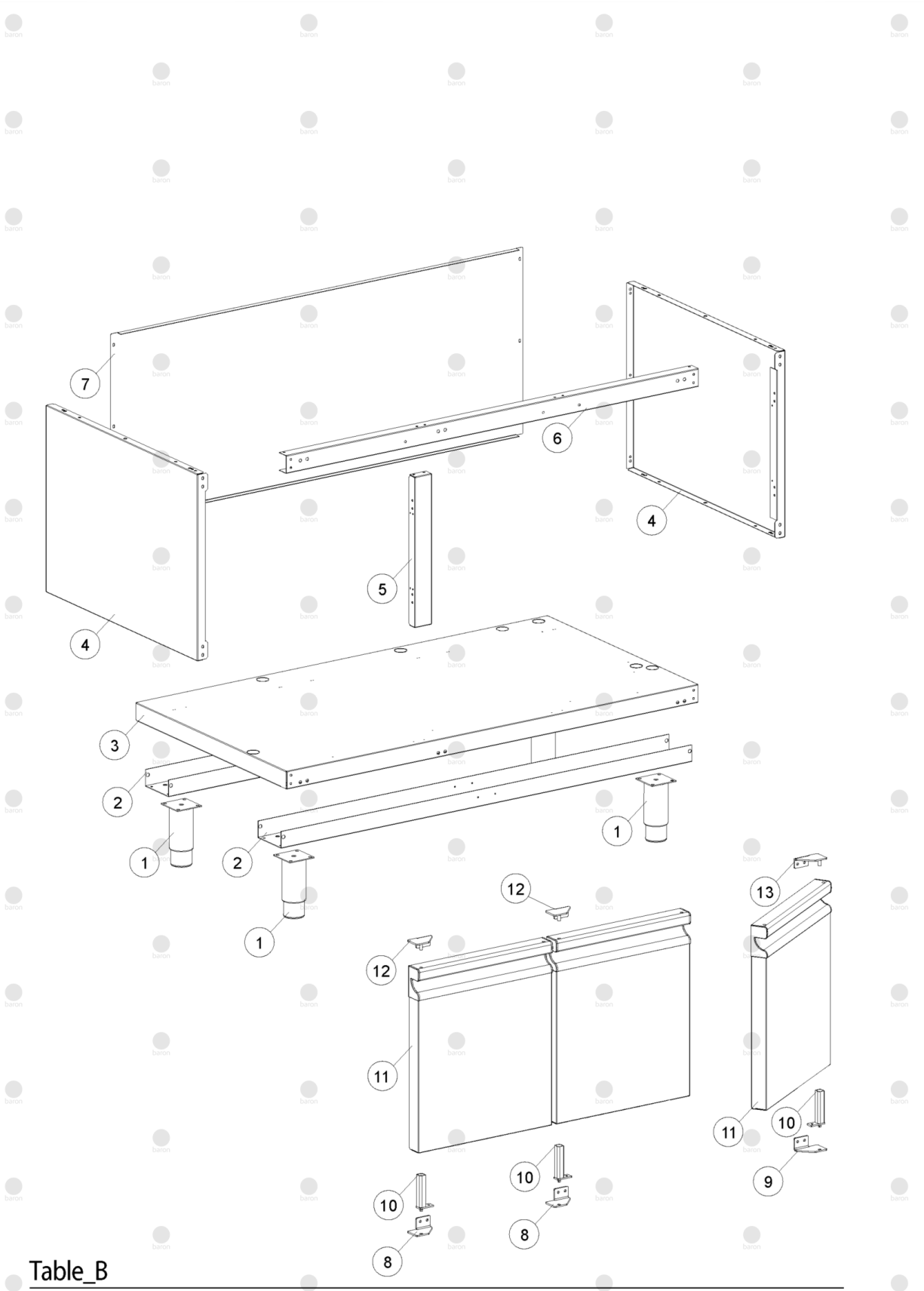
CR1019789 - CR1014119 - CR1019799 - CR1014139 - CR1019969 -
 CR1014489 - CR1019989 - CR1014529 - CR1014109 - CR1014129 -
 CR1014469 - CR1014509

Q70FT-FTV/E1200-1203-1205-1220-1223-1225

Pos	Art.- Nr.	Bezeichnung
0001	CR1172390	FONDO TP/E 900 M80 BARON
0002	MA1878400	KLEMMBRETT [C]
0003	CR1020970	CONTRODADO OBO 116/PG21 NY
0004	CR1020960	KABELKLEMME [C]
0005	BN2540060	HALTERUNG [C]
0006	CR1365520	ASS.PIEDINO /13/4 INOX FLANG.H150
0006	CR1511210	PIEDINO PER TOP 11/2 INOX REG. 75-84
0006	MA1036500500	FUSS [C]
0007	CR0585560	DISTANZIERSTÄCK [C] BEDIENUNGSBRETT
0008	CR1265630	DISTANZIERSTÄCK [C]
0009	CR1176770	MANIGLIA PORTA M40 OLIS
0010	CR1310390	ASS.CRUSC.FRY-TOP EL.M120 700 BARON B18
0011	CR0904880	SCHUBLADE [C] FÜR GRILLPLATTEN M80 700
0012	CR1172430	CHIUSURA DX GUIDA CAS.M120 700 ELE.BARON
0013	CR1094960	PROTEZIONE FRONTALE CALORE 70FT M120
0014	CR1360750	FONDO TP/E 900 M80 BARON
0015	CR0587550	VERSCHLUSSSATZ [C] KUGELN FRY-TOP
0016	CR1025900	FERMO PER RESISTENZA FRY-TOP
0017	CR0689240	HEIZELEMENT [C] GRILLPLATTE 700
0018	CR1022820	FONDO TP/E 900 M80 BARON
0019	CR1094870	CAMERA RESISTENZE FRY-TOP 700 M120
0020	CR1076250	CABLAGGIO FRY-TOP 900 M120
0021	CR1265790	LINKE FLANKE [C] TOP 700 BARON B18
0022	CR1076310	SUPPORTO RESISTENZE FRY-TOP M120
0023	CR0588170	6 POLE-KLEMMBRETT [C] 450V
0024	BN821120450	SQUADR. PER MORSETTIERA FT/E 90/04
0025	CR1360780	PROTEZIONE INTERRUITORI FTE 700 B18
0026	CR0587500	ORANGE KONTROLLAMPE [C] ~13,5MM 230V
0027	CR0582770	THERMOSTAT [C] 100°-350°C
0028	CR0587650	DICHTUNG [C] WELLE
0029	MA921200	TRAGBÄGEL [C]
0030	MA710300	HAUPTSCHALTER, 4 POLIG. 494101530
0031	CR1176160	PLACCA CROMATA MANOPOLA BARON B18
0032	CR1176340	DISCO PLACCA D76.5 FTE + FE BARNON B18
0033	CR1360950R	MANOP. COMP. ALB. D.6 C/MOLLA CROMAT.B18
0034	CR1312660	SUPPORTO TERMOST.SIC.BAGNOM.EL.BARON B18
0035	MA1878500	THERMOSTAT [C] 360°C
0036	CR0589501	SEDE BULBI FRY-TOP ELETTRICI M40
0037	CR1023710	VERRINGERUNG [C]
0038	CR1310910	ASS.PIANO PIASTRA/L FT700 M120 BARON B18
0038	CR1310920	ASS.PIANO PIASTR/LC FT700 M120 BARON B18
0038	CR1360600	ASS.PIANO PIASTRA/L FT 700 M40 OLIS
0039	CR1265780	RECHTE FLANKE [C] TOP 700 BARON B18
0040	CR1265620	FLANSCH
0041	CR1023020	SCHIENALE TOP M80
0042	CR1311660	PROTEZIONE POST. CAMINO M120 B18
0043	CR1176580	SCHUTZGITTER [C] RAUCHABLAUF



Pos	Art.- Nr.	Bezeichnung
0044	CR1310930	ASS.PIANO PIASTRA/M FT700 M120 BARON B18
0044	CR1310940	ASS.PIANO PIASTR/MC FT700 M120 BARON B18
0044	CR1360610	ASS.PIANO PIASTRA/L FT 700 M40 OLIS
0045	CR0587640	PROFILO GUARNIZIONE CRUSCOTTI



Table_B

EDITION 05 2019

CR1019789 - CR1014119 - CR1019799 - CR1014139 - CR1019969 -
 CR1014489 - CR1019989 - CR1014529 - CR1014109 - CR1014129 -
 CR1014469 - CR1014509

Q70FT-FTV/E1200-1203-1205-1220-1223-1225

Pos	Art.- Nr.	Bezeichnung
0001	MA6086113	FUSSGRUPPE [C] H. 200
0002	CR0584930	TRAVERSA INFERIORE VANO M120
0003	CR0909790	RIPIANO INFERIORE VANO 900 M120 BARON
0004	CR0907020	FIANCO BASE VANO 700 BARON
0005	CR1360050	MONTANTE ANTERIORE VANO M80 B18
0006	CR0901660	TRAVERSA SUPERIORE BASE VANO M120 BARON
0007	CR0583800	RÄCKWAND [C] M120
0008	CR1024550	CERN. INFER. SX PORTA AUTOCHIUDENTE 1100
0009	CR1024540	CERN. INFER. DX PORTA AUTOCHIUDENTE 1100
0010	BN1412052	UNTERE SCHARNIER [R]
0011	CR1177400	PORTA MONTATA 40-80 DIAMAN.70-90/10 LOGO
0012	CR1024570	ASS. CERN. SUP. SX PORTA AUTOCHIUD. 1100
0013	CR1024560	ASS. CERN. SUP. DX PORTA AUTOCHIUD. 1100