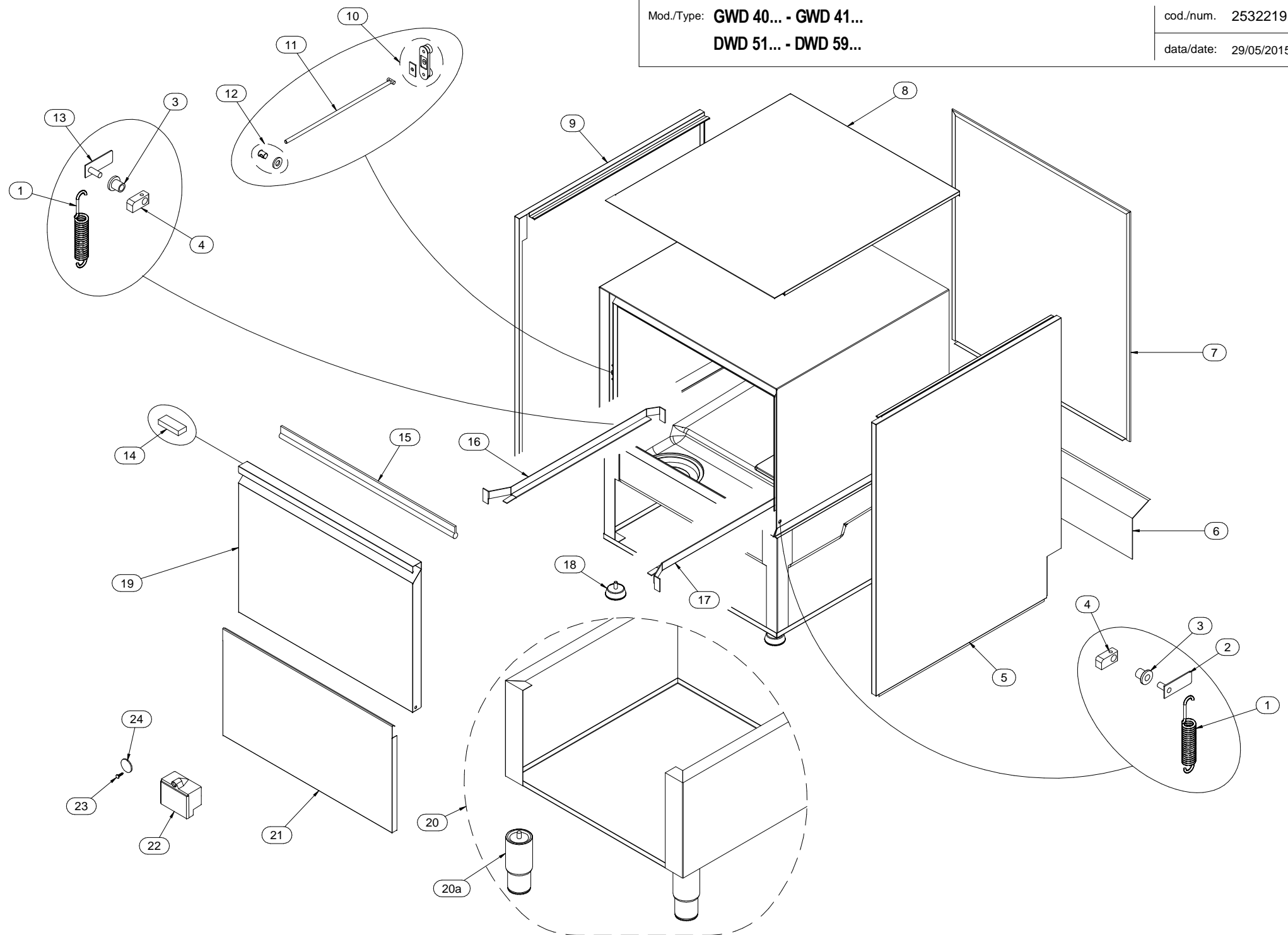


Mod./Type: GWD 40... - GWD 41...

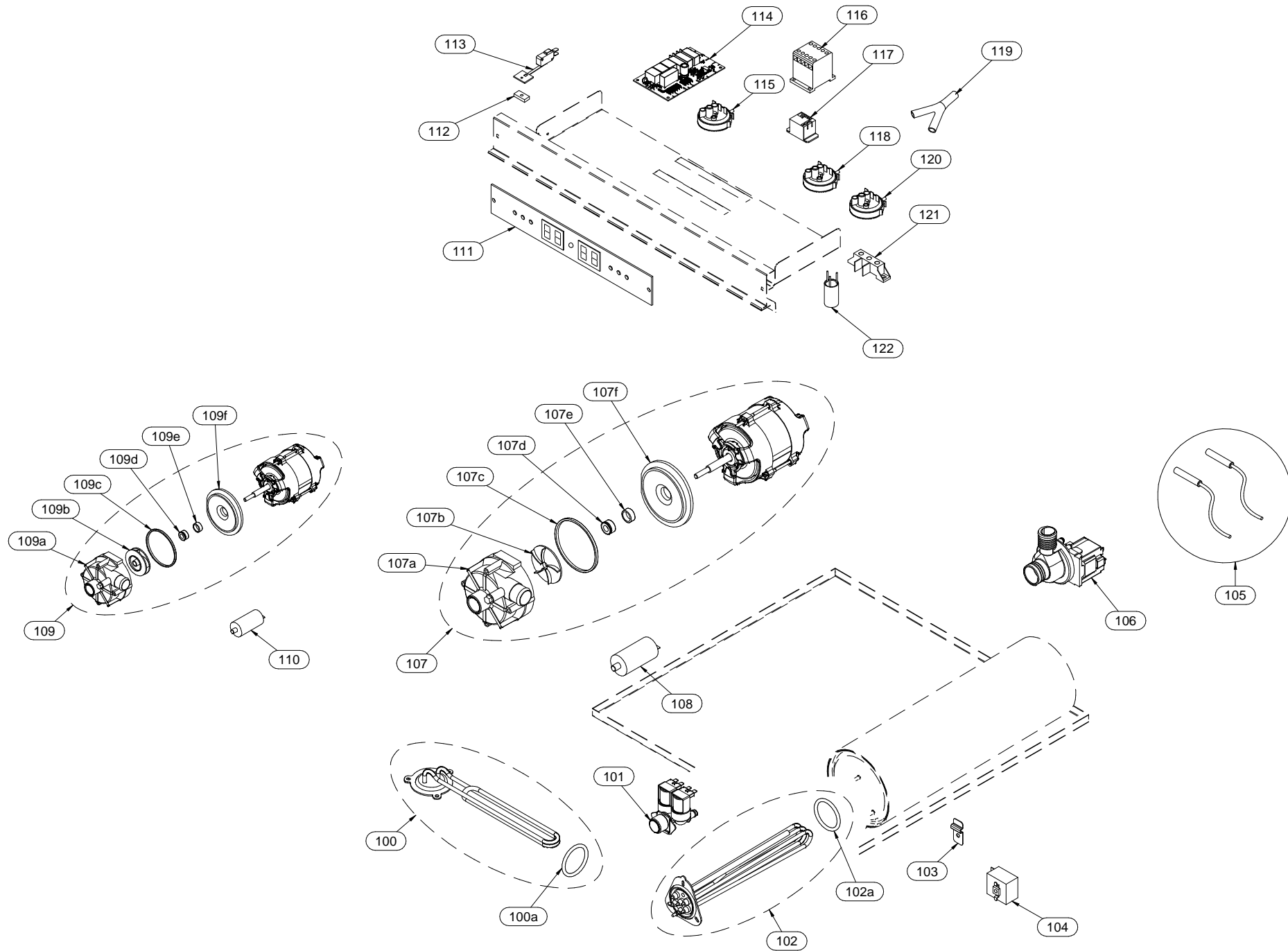
DWD 51... - DWD 59...

cod./num. 2532219.00

data/date: 29/05/2015



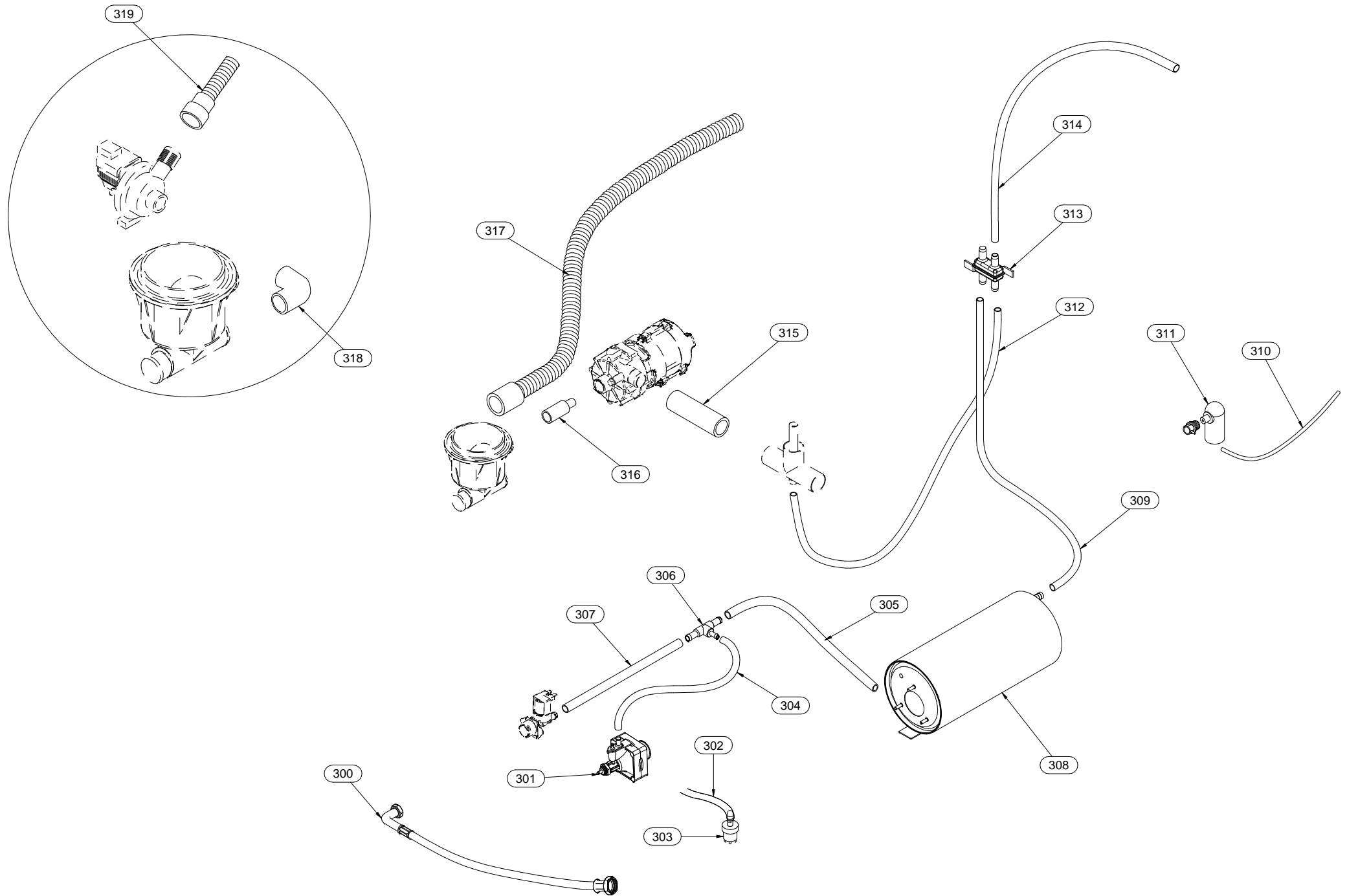
Mod.:	GWD 40... - GWD 41... DWD 51... - DWD 59...			cod. / num. 2532220.00		GWD 40...	GWD 41...	DWD 51...	DWD 59...	NOTE
				data / date 29/05/2015						
				rif. / ref. 2532219.00						
POS.	DESCRIZIONE	DESCRIPTION	DENOMINATION	BENENNUNG	COD.	Q.ty				
1	MOLLA	SPRING	RESSORT	FEDER	260.018.00	1				
					260.017.00		1			
					260.012.00			1	1	
2	PERNO CERNIERA DX	JOINT STUD	GOUJON DE LA CHARNIÈRE	SCHARNIERBOLZEN	412.037.00	1	1	1	1	
3	BOCCOLA PORTA	DOOR SUPPORT	BOITE D'ESSIEU DE PORTE	BUECHSE FUER TUER	451.099.00	2	2	2	2	
4	SUPPORTO PORTA	DOOR SUPPORT	BOITE D'ESSIEU DE PORTE	BUECHSE FUER TUER	451.115.00	2	2	2	2	
5	FIANCO DX	RIGHT SIDE	CÔTÉ DROITE	SEITENWAND RECHTS	421.101.00	1				
					421.103.00		1			
					421.029.00			1		
					421.134.00				1	
6	PROTEZIONE	PROTECTION	PROTECTION	SCHUTZ	421.078.14	1	1			
					421.036.00			1	1	
7	PANNELLO POSTERIORE	BACK PANEL	PANNEAU POSTERIEUR	HINTERBRETT	421.084.14	1	1			
					421.033.00			1		
					421.136.00				1	
8	COPERTURA	COVER	COUVERTURE	ABDECKUNG	421.105.00	1	1			
					421.032.00			1		
					421.157.00				1	
9	FIANCO SX	LEFT SIDE	CÔTÉ GAUCHE	SEITENWAND LINKS	421.102.00	1				
					421.104.00		1			
					421.030.00			1		
					421.135.00				1	
10	PARACOLPI	BUFFER	PARA-CHOC	BUMPERS	256.441.00	2	2	2	2	
11	ASTA PORTA	DOOR ROD	TIGE DE SUPPORT PORTE	VERSTEIGERUNG DES TÜR	412.094.00	2	2	2	2	
12	FERMO PORTA	DOORSTOP	ARRETE DE TIGE	TÜRVERRIEGELUNG	256.442.00	2	2	2	2	
13	PERNO CERNIERA SX	JOINT STUD	GOUJON DE LA CHARNIÈRE	SCHARNIERBOLZEN	412.038.00	1	1	1	1	
14	MAGNETE	MAGNET	MAGNÉTO	MAGNET	461.070.00	1	2	3	4	
15	GUARNIZIONE	SEAL	JOINT	DICHTUNG	453.007.00	1	1			
					453.010.00			1	1	
16	GUIDA CESTO DX	RIGHT RACK SLIDE	GLISSIÈRE DROITE PANIER	KORBSCIENEN RECHTS	423.088.24	1	1			
					423.118.22			1	1	
17	GUIDA CESTO SX	LEFT RACK SLIDE	GLISSIÈRE GAUCHE PANIER	KORBSCIENEN LINKS	423.089.24	1	1			
					423.119.22			1	1	
18	PIEDINO	FOOT	PIED	STELLFUSS	451.071.00	1	1		-	
					451.130.00			1	-	
19	PORTA	DOOR	PORTE	TÜR	411.067.00	1				
					411.066.00		1			
					411.042.00			1		
					411.109.00				1	
20	BASAMENTO	BASE UNIT	BASE	UNTERBAU	410.015.00	-	-	-	1	
20a	PIEDINO	FOOT	PIED	STELLFUSS	912.033.00	-	-	-	4	

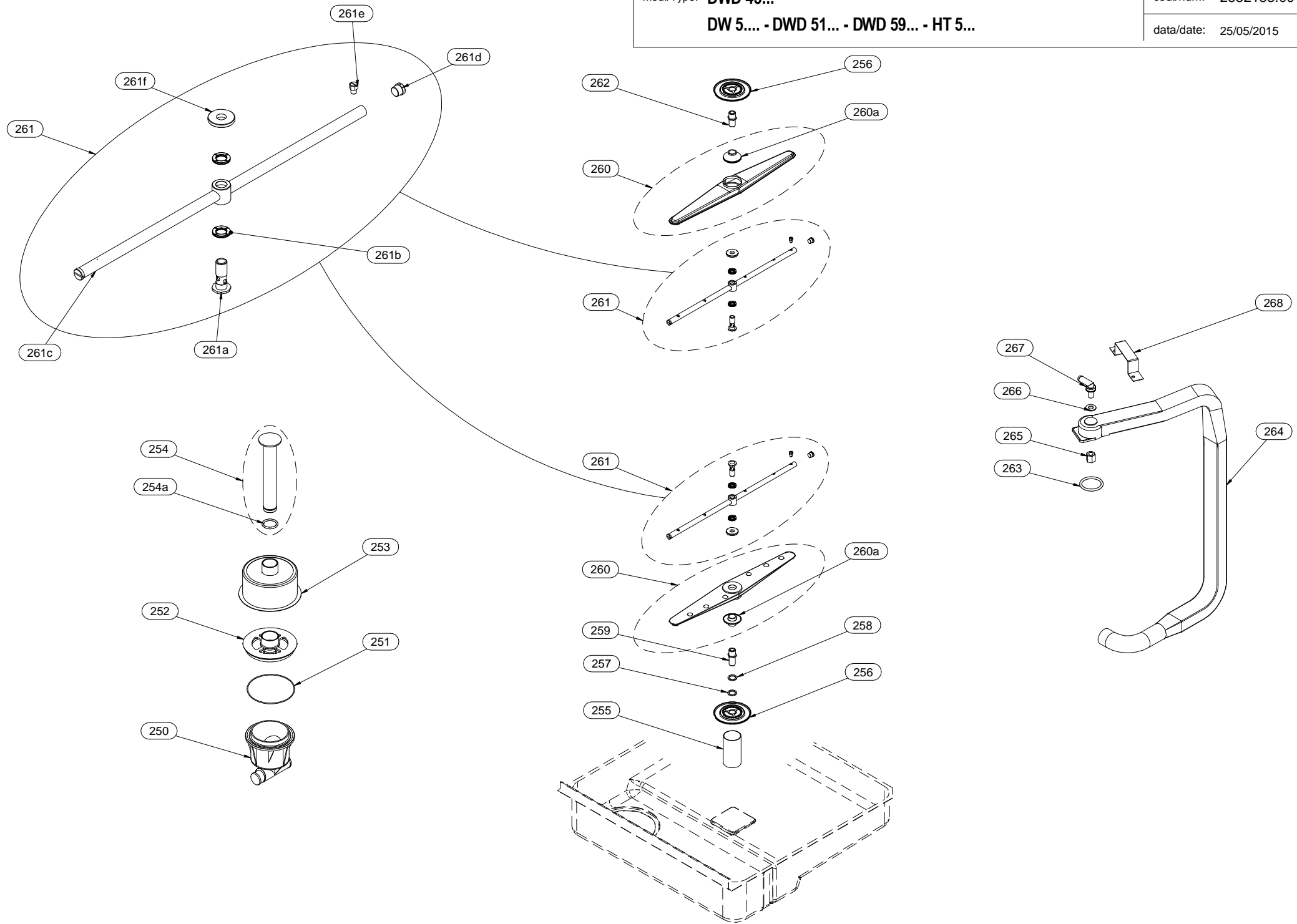


Mod./Type: **GW 4... - GWD 4... - DWD 45...**
DW 5... - DWD 51... - DWD 59...

cod./num. 2532185.00

data/date: 27/05/2015





Mod.:	DWD 45			cod. / num. 2532184.00		DWD 45...	DW 5...	DWD 51...	DWD 59...	HT 5...	NOTE
	DW 5... - DWD 51... - DWD 59... - HT 5...			data / date 25/05/2015							
				rif. / ref. 2532183.00							
POS.	DESCRIZIONE	DESCRIPTION	DENOMINATION	BENENNUNG	COD.	Q. tà					
250	SCARICO	DRAIN	VIDANGE	ABLAUF	451.025.00	1	1	1	1	1	
251	GUARNIZIONE	WASHER	GUARNITURE	DICHTUNGSRING	0835.35101.1	1	1	1	1	1	
252	GHIERA	FERRULE	VIROLE	NUTMUTTER	451.022.14	1	1	1	1	1	
253	FILTRO SCARICO	EXHAUST FILTER	FILTRE D'ECHAPPEMENT	ABLAUFILTER	412.260.00	1					
					412.055.14		1	1	1		
					412.056.14					1	
254	TROPPOPIENO	OVERFLOW PIPE	TROP-PLEIN	ÜBERLAUF	410.282.00	1					
					410.283.00		1	1	1		
					410.284.00					1	
254a	GUARNIZIONE	WASHER	GUARNITURE	DICHTUNGSRING	0835.26266.1	1	1	1	1	1	
255	RACCORDO	CONNECTOR	RACCORD	ANSCHLUSS	431.103.00	1					
					431.052.00		1	1	1		
					431.103.00					1	
256	PARZIALIZZATORE	SPLITTER	RONDELLE DE PARTIALISATION	ABZWEIGER	451.132.00	1					
					424.006.00		1	1	1	1	
257	PARZIALIZZATORE	SPLITTER	RONDELLE DE PARTIALISATION	ABZWEIGER	423.193.00	1					
					423.058.00		1	1	1	1	
258	GUARNIZIONE	WASHER	GUARNITURE	DICHTUNGSRING	0835.17124.1	-	-	1	1	1	
259	PERNO LAVAGGIO INF.	LOWER WASHING PIVOT	GOUJON LAVAGE INFÉRIEUR	STIFT UNTERER SPÜLUNG	441.059.00	1					
					441.085.00		1				
					412.033.00			1	1		
					412.079.00					1	
260	GIRANTE LAVAGGIO	WASH ARM	BRAS DE LAVAGE	WASCHARM	256.375.00	2					
					256.373.00		2	2	2		
					256.374.00					2	
260a	SUPPORTO GIRANTE	IMPELLER SUPPORT	SUPPORT BRAS DE LAVAGE	LAUFRAHALTERUNG	451.066.00	2					
					451.021.13		2	2	2	2	
261	GIRANTE RISCIAQUO	RINSE IMPELLER	GROUPE BRAS RINÇAGE	AUSSPÜLUNGSARMGRUPPE	412.199.00		2	2	2		
					412.200.00					2	
					441.057.00	2	2	2	2	2	
261a	PERNO RISCIAQUO	RINSING PIN	GOUJON RINÇAGE	SPUELSTIFT LB LS	441.057.00	2	2	2	2	2	
261b	RONDELLA RISCIAQUO	RINSING GASKET	RONDELLE RINÇAGE	AUSSPÜLUNGSUNTERLEGSCHEIBE	451.024.00	4	4	4	4	4	
261c	GIRANTE RISCIAQUO	RINSE IMPELLER	GROUPE BRAS RINÇAGE	AUSSPÜLUNGSARMGRUPPE	412.065.00	2	2	2	2	2	
261d	TAPPO RISCIAQUO	RINSE PLUG	BOUCHON RINÇAGE	AUSSPÜLUNGSSTÖPSEL	451.028.00	4	4	4	4	4	
261e	UGELLO RISCIAQUO	RINSE INJECTOR	INJECTEUR DE RINÇAGE	NACHSPUELDUESE	441.040.00	10	12	12	12	14	
261f	GHIERA	FERRULE	VIROLE	NUTMUTTER	441.044.00	2	2	2	2	2	
262	PERNO LAVAGGIO SUP.	UPPER WASHING PIN	GOUPILLE LAVAGE SUPERIEURE	OBERER STIFT WASCHVORGANG	441.094.00	1					
					441.041.00		1	1	1	1	
263	GUARNIZIONE	WASHER	GUARNITURE	DICHTUNGSRING	0835.26456.1	1	1	1	1		
					0835.35440.1					1	
264	TUBO MANDATA	DELIVERY PIPE	TUYAU DE REFOULEMENT	ZULEITUNGSROHR	412.170.00	1	1	1			
					412.171.00				1		
					412.173.00					1	
265	DADO	NUT	ÉCROU	MUTTER	441.045.00	1	1	1	1	1	
266	GUARNIZIONE	WASHER	GUARNITURE	DICHTUNGSRING	0840.25122.0	1	1	1	1		
					0840.20142.0					1	
267	RACCORDO	CONNECTOR	RACCORD	ANSCHLUSS	451.098.00	1	1	1	1		
					412.032.00					1	
268	FISSAGGIO TUBO MANDATA	DELIVERY PIPE FIXING ELEMENT	FIX.TUYAU ENTRÉE	BEFESTIGUNG ZULAUFROHR	423.064.00	1	1	1	1	1	

