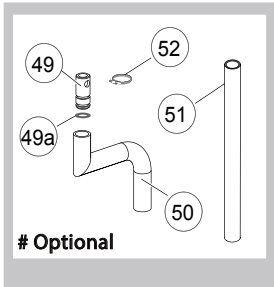


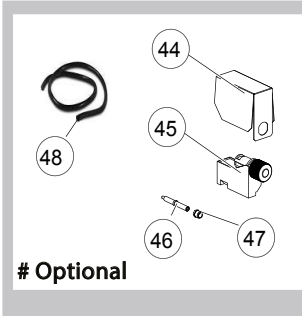
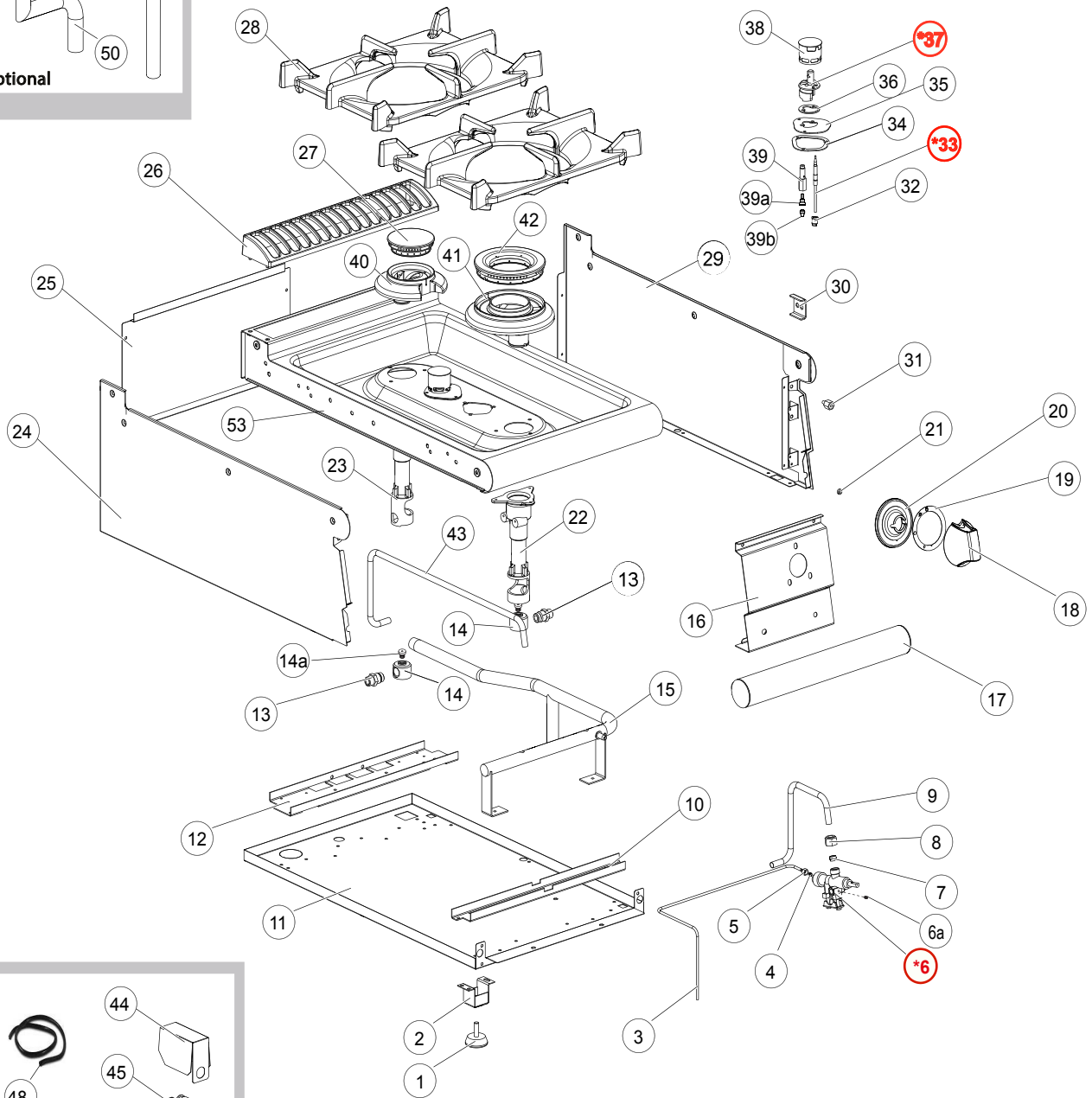


baron

QUEEN7
GAS RANGES / CUCINE A GAS



Optional



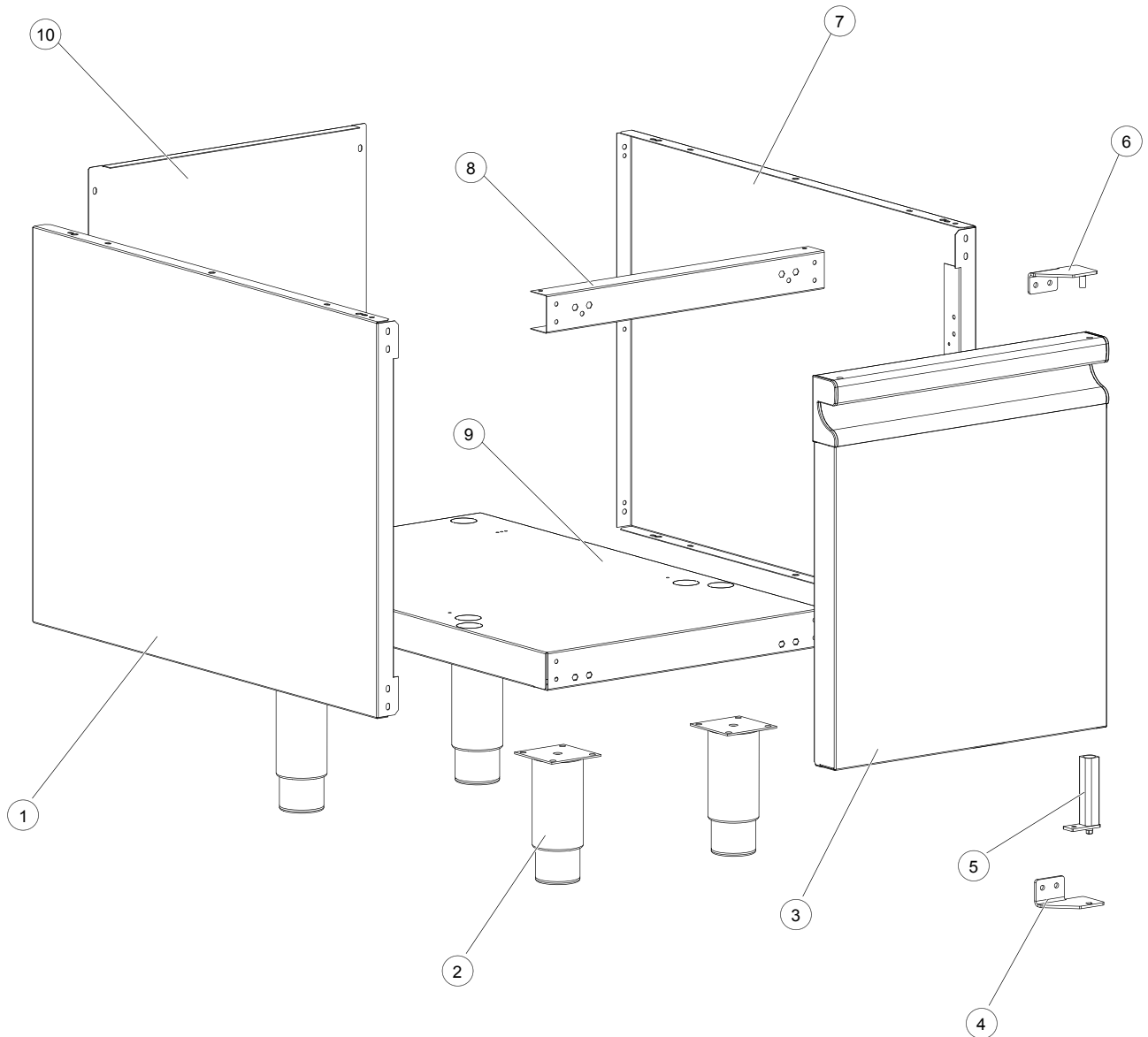
Optional

Table_A

EDITION 11 2018

* >>> Ricambio consigliato/raccomended part
>>> Accessorio/accessory

CR1012209 - CR1012289 Q70PC-PCV/G4003
CR1012219 - CR1012309 Q70PC-PCV/G4013



Table_B

EDITION 11 2018

* >>> **Ricambio consigliato/raccomended part**
#>>> **Accessorio/accessory**

CR1012209 - CR1012289 Q70PC-PCV/G4003

CR1012219 - CR1012309 Q70PC-PCV/G4013

QUEEN7

GAS RANGES / CUCINE A GAS

Table_A

POS.	CODE/CODICE	PIECES	DESCRIPTION	DESCRIZIONE	DATA	R.C.
1	MA1036500500	4	ADJUSTABLE FEET	PIEDE REGOLAB.6 40 M8 PRP 114015		
2	BN2540060	4	FEET SUPPORT	SUPPORTO PIEDINO APP. TOP 70/02		
3	BN823561700	1	REAR PILOT PIPE	BN-CONDUTT. POSTER. PILOTA N7PC/G NEW		
	BN823561710	1	FRONT PILOT PIPE	BN-CONDUTT. ANTERI. PILOTA N7PC/G NEW		
4	BN6A016900	2	PILOT BICONE /4	BICONO DIAM. 4 200/3.336 PIL.470F		
5	BN6A017000	2	PILOT NUT /4	DADO X BIC. D.4 200/3.335 PIL.470F		
6	CR0580450	2	GAS TAP	RUBINETTO GAS PEL 21S/0,90 -ART. 777120		*
6a	TAB. E	2	BY-PASS	BY-PASS MINIMO		
7	MA86720	2	BICONE /10	BICONO /10 SIT 0957004		
8	MA1326500	2	NUT 16X1,5	DADO PREMIOGIVA M16X1,5		
9	CR0909980	2	FRONT BURNER PIPE	CONDUT. ANT.RUBIN.-BRUC. N7PC/G NEW70/13		
10	CR1021450	1	FRONT BOTTOM REINFORCEMENT	SQ. RINF. FONDO FRY TOP M40 900 BARON		
11	CR0909960	1	BOTTOM PANEL	FONDO TOP CUC. GAS M40 700 BARON		
12	CR1022950	1	REAR BOTTOM REINFORCEMENT	SQ.RINF.FONDO FRY TOP M40 700 BARON		
13	BN822160031	2	NOZZLE HOLDER JUNCTION	RACCORDO PER PORTA UGELLO		
14	BN822160022	2	NOZZLE HOLDER	PORTA UGELLO NPC/G		
14a	TAB. C	2	BURNER NOZZLE	UGELLO BRUCIATORE		
15	CR0909970	1	ASSEMBLY RAMP	ASS. RAMP A PC/G M40 700 BARON		
16	CR1177690	1	DASHBOARD	CRUSCOTTO PC/G M40 BARON B18		
17	CR1176690	1	ASSEMBLY FRONTAL HANDLE	ASS. TUBO FRONTALE CRUSCOT.M40 BARON B18		
18	CR1176140	2	KNOB D.8	MANOPOLA ALBERINO D.8 CROMATA BARON B18		
19	CR1176250	1	KNOB DISC FRONTAL POSITION	DISCO PLACCA D76.5 CUC.GAS.ANT.BARON B18		
	CR1176260	1	KNOB DISC REAR POSITION	DISCO PLACCA D76.5 CUC.GAS.POS.BARON B18		
20	CR1176160	2	UNDER KNOB	PLACCA CROMATA MANOPOLA BARON B18		
21	CR0585560	4	DASHBOARD SPACER	DISTANZIALE PER CRUSCOTTO		
22	BN822410032	1	VENTURI 7KW	BN-VENTURI GRANDE		
23	BN822410012	1	VENTURI 3,5KW	BN-VENTURI PICCOLO BARON		
24	CR1265790	1	LEFT EXTERNAL SIDE PANEL	ASS.FIANCO SX TOP 700 BARON B18		
25	CR0581360	1	REAR PANEL	SCHIENALE TOP M40		
26	CR1176580	1	CHIMNEY GRID	GRIGLIA SC/FUMI GHISA M40 BARON B18		
27	BN822410071	1	SMALL FLAME SPREADER 3,5kW	BN-SPARTIFIAMMA PICCOLO BARON		
28	BN822410680	2	CAST IRON GRID	BN-GRIGLIA PIANO SMALTATA NEW 70 BARON		
29	CR1265780	1	RIGHT EXTERNAL SIDE PANEL	ASS.FIANCO DX TOP 700 BARON B18		
30	CR1265620	4	CONNECTION BRACKET	STAFFA UNIONE ANT. APPARECCHIATURE B18		
31	CR1265630	2	BOTTOM DASHBOARD SPACER	DISTANZIALE CRUSCOTTI BARON B18		
32	MA1891700	2	THERMOCOUPLE JUNCTION	RACCORDO X TERMOCOPPIA SIT 0974036		
33	MA1916000	2	THERMOCOUPLE	TERMOCOPPIA M9X1 L=850 SIT 0290018		*
34	BN825110530	2	PILOT GASKET	BN-GUARNIZIONE FINESTRA PILOTA 7-9PCG NE		
35	BN821122510	2	PILOT BURNER PLATE	BN-PIASTR. P/PILOTA PICCOLO NEW BARON 70		
36	BN825110520	2	PILOT BURNER GASKET	BN-GUARNIZIONE BLOCCO PILOTA 7-9PCG NEW		
37	BN822160580	2	ASSEMBLY PILOT	BN-ASS. NUOVO PILOTA FUOCHI CUCINE BARON		*
38	BN826350260	2	PILOT PROTECTION	BN-ASS. TUBO PROTEZIONE PILOTA 7-9 PCG		
39	BN822160590	2	PILOT NOZZLE HOLDER	BN-PORTAUG. NUOVO PILOTA FUOCHI CUC.BARO		
39a	TAB. D	2	PILOT NOZZLE	UGELLO PILOTA		
39b	BN6A016900	2	BICONE /4	BICONO DIAM. 4 200/3.336 PIL.470F		
40	BN822410650	1	BURNER 3,5KW	BN-CORPO NEW BRUCIATORE PICCOLO BARON		
41	BN822410670	1	BURNER 7KW	BN-CORPO NEW BRUCIATORE GRANDE BARON		
42	BN822410091	1	BIG FLAME SPREADER 3,5kW	BN-SPARTIFIAMMA GRANDE BARON		
43	CR0909990	1	REAR BURNER PIPE	CONDUT.POST.RUBIN.-BRUC. N7PC/G NEW70/13		
#44	SI8209970	1	PROTECTION IGNITER	PROTEZIONE ACCENDITORE BZX 2/1,5 T ANSTO		
#45	SI8206280	1	IGNITER BZX	ACCENDITORE BZX 2/1,5 T - ANSTOSS		
#46	CR0687080	2	ELECTRODE	ELETTRODO ACCENSIONE POLIDORO 031001300		
#47	MA1888400	2	ELECTRODE JUNCTION	RACCORDO FISS.CANDELA SIT 0974037		
#48	BN826690810	1	ELECTRODE CABLE L=1100	ASS. CAVO CANDELA ACCENS. NEW L=1100		
	BN826690820	1	ELECTRODE CABLE L=600	ASS. CAVO CANDELA ACCENS. NEW L=600		
#49	BN822160101	1	TOP PLATE DRAIN OVERFULL	BN-PILETTA DI SCARICO PIANI AUTOPUL.		
#49a	BN824710280	1	OVERFULL O-RING	GUARNIZ. OR 3068 D.I.17,13 SP.2,62		
#50	BN826350230	1	DRAIN PIPE LIQUIDS	CONDUTT. SCARICO LIQUIDI 1/2M 70-90		
#51	BN824510020	1	BN-TUBO ACQUA CALDA 3 BAR 28x36	BN-TUBO ACQUA CALDA 3 BAR 28x36		
#52	BN826900440	1	INOX CABLE TIE	FASCETTA INOX 25-40		
53	CR1317780	1	ASSEMBLY TOP PLATE	ASS. PIANO Q70PC/G4001 2F 70 BARON B18		
	CR1317790	1	ASS. TOP PLATE WITH DRAIN WATER	ASS. PIANO Q70PC/G4011 2F SC.LIQ.70 B18		

* >>> Ricambio consigliato

>>> Accessorio

QUEEN7

GAS RANGES / CUCINE A GAS

Table_B

POS.	CODE/CODICE	PIECES	DESCRIPTION	DESCRIZIONE	DATA	C
1	CR0907020	1	EXTERNAL SIDE PANEL	FIANCO BASE VANO 700 BARON		
2	MA6086113	4	ASSEMBLY FEET	ASS.PIEDINO /1"3/4 INOX FLANG.H150		
3	CR1177380	1	ASSEMBLY DOOR	PORTA MONTATA VANO M20 BARON B18		
4	CR1024540	1	RIGHT BOTTOM HINGE	CERN. INFER. DX PORTA AUTOCHIUDENTE 1100		
	CR1024550	1	LEFT BOTTOM HINGE	CERN. INFER. SX PORTA AUTOCHIUDENTE 1100		
5	BN1412052	1	HINGE SPRING	CERNIERA INF PIVOT CT5000		
6	CR1024560	1	RIGHT UPPER HINGE	ASS. CERN. SUP. DX PORTA AUTOCHIUD. 1100		
	CR1024570	1	LEFT UPPER HINGE	ASS. CERN. SUP. SX PORTA AUTOCHIUD. 1100		
7	CR0907020	1	EXTERNAL SIDE PANEL	FIANCO BASE VANO 700 BARON		
8	CR0901600	1	TOP CROSSBAR	TRAVERSA SUPERIORE BASE VANO M40 BARON		
9	CR0907120	1	BOTTOM PANEL	RIPIANO INFERIORE VANO 700 M40 BARON		
10	CR0582760	1	REAR PANEL	SCHIENALE BASE VANO M40		

Table_C

POS.	CODICE	PEZZI	DESCRIPTION	DESCRIZIONE	DATA	C
14a	BN822140170	1	BURNER NOZZLE 1.35 FUOCO 3,5kW	BN-UG. BA 1.35 FUOCO 3,5kW	G20 20mbar	
14a	BN822140580	1	BURNER NOZZLE 1.95 FUOCO 7 kW	BN-UG. BA 1.95 FUOCO 7 kW	G20 20mbar	
14a	BN41822140420	1	BURNER NOZZLE 1.50 FUOCO 3,5kW	BN-UG. BA 1.50 FUOCO 3,5kW	G25 20mbar	
14a	BN822140600	1	BURNER NOZZLE 2.15 FUOCO 7 kW	UG. BA 2.15 FUOCO 7 kW	G25 20mbar	
14a	BN41822140180	1	BURNER NOZZLE 1.40 FUOCO 3,5kW	BN-UG. BA 1.40 FUOCO 3,5kW	G25.3 25mbar	
14a	BN822140290	1	BURNER NOZZLE 2.05 FUOCO 7 kW	UG. BA 2.05 FUOCO 7 kW	G25.3 25mbar	
14a	BN41822140620	1	BURNER NOZZLE 0.90 FUOCO 3,5kW	BN-UG. BA 0.90 FUOCO 3,5kW	G30/31 28/30mbar	
14a	BN822140030	1	BURNER NOZZLE 1.30 FUOCO 7 kW	BN-UG. BA 1.30 FUOCO 7 kW	G30/31 28/30mbar	
14a	BN822140270	1	BURNER NOZZLE 0.80 FUOCO 3,5kW	BN-UG. BA 0.80 FUOCO 3,5kW	G30/31 50mbar	
14a	BN822140280	1	BURNER NOZZLE FUOCO 7 kW	BN-UG. BA 1.15 FUOCO 7 kW	G30/31 50mbar	

Table_D

POS.	CODICE	PEZZI	DESCRIPTION	DESCRIZIONE	DATA	C
39a	BN6A013230	2	PILOT NOZZLE G27.2	UG. METANO 27 (PIL.526F+470F) G27.2	G20 20mbar	
39a	BN6A013230	2	PILOT NOZZLE G27.2	UG. METANO 27 (PIL.526F+470F) G27.2	G25 20mbar	
39a	BN6A013230	2	PILOT NOZZLE G27.2	UG. METANO 27 (PIL.526F+470F) G27.2	G25 25mbar	
39a	BN6A013240	2	PILOT NOZZLE G16.2	UG. G.P.L. 16 (PIL.526F+470F) G16.2	G30/31 27/28/30mbar	
39a	BN6A013240	2	PILOT NOZZLE G16.2	UG. G.P.L. 16 (PIL.526F+470F) G16.2	G30/31 50mbar	

Table_E

POS.	CODICE	PEZZI	DESCRIPTION	DESCRIZIONE	DATA	C
6a	BN822450240	1	BY-PASS DIAM. 80 FUOCO 3,5kW	BY-PASS DIAM. 80 FUOCO 3,5kW	G20 20mbar	
6a	BN822450280	1	BY-PASS DIAM. 120 FUOCO 7kW	BY-PASS DIAM. 120 FUOCO 7kW	G20 20mbar	
6a	BN822450260	1	BY-PASS DIAM. 90 FUOCO 3,5kW	BY-PASS DIAM. 90 FUOCO 3,5kW	G25 20mbar	
6a	BN822450300	1	BY-PASS DIAM. 135 FUOCO 7kW	BY-PASS DIAM. 135 FUOCO 7kW	G25 20mbar	
6a	MA1889000	1	BY-PASS DIAM. 0,85 FUOCO 3,5kW	VITE MINIMO 0,85 FUOCO 3,5kW	G25.3 25mbar	
6a	MA1889200	1	BY-PASS DIAM. 1,30 FUOCO 7kW	VITE MINIMO 1,30 FUOCO 7kW	G25.3 25mbar	
6a	MA1033720000	1	BY-PASS DIAM. 0,55 FUOCO 3,5kW	VITE MINIMO 0,55 FUOCO 3,5kW	G30/31 28/30mbar	
6a	BN822450240	1	BY-PASS DIAM. 80 FUOCO 7kW	BY-PASS DIAM. 80 FUOCO 7kW	G30/31 28/30mbar	
6a	BN6A023722	1	BY-PASS DIAM. 45 FUOCO 3,5kW	BY-PASS DIAM. 45 FUOCO 3,5kW	G30/31 50mbar	
6a	BN6A023723	1	BY-PASS DIAM. 65 FUOCO 7kW	BY-PASS DIAM. 65 FUOCO 7kW	G30/31 50mbar	

* >>> Ricambio consigliato

>>> Accessorio

EDITION 11 2018

CR1012209 - CR1012289 **Q70PC-PCV/G4003**
 CR1012219 - CR1012309 **Q70PC-PCV/G4013**