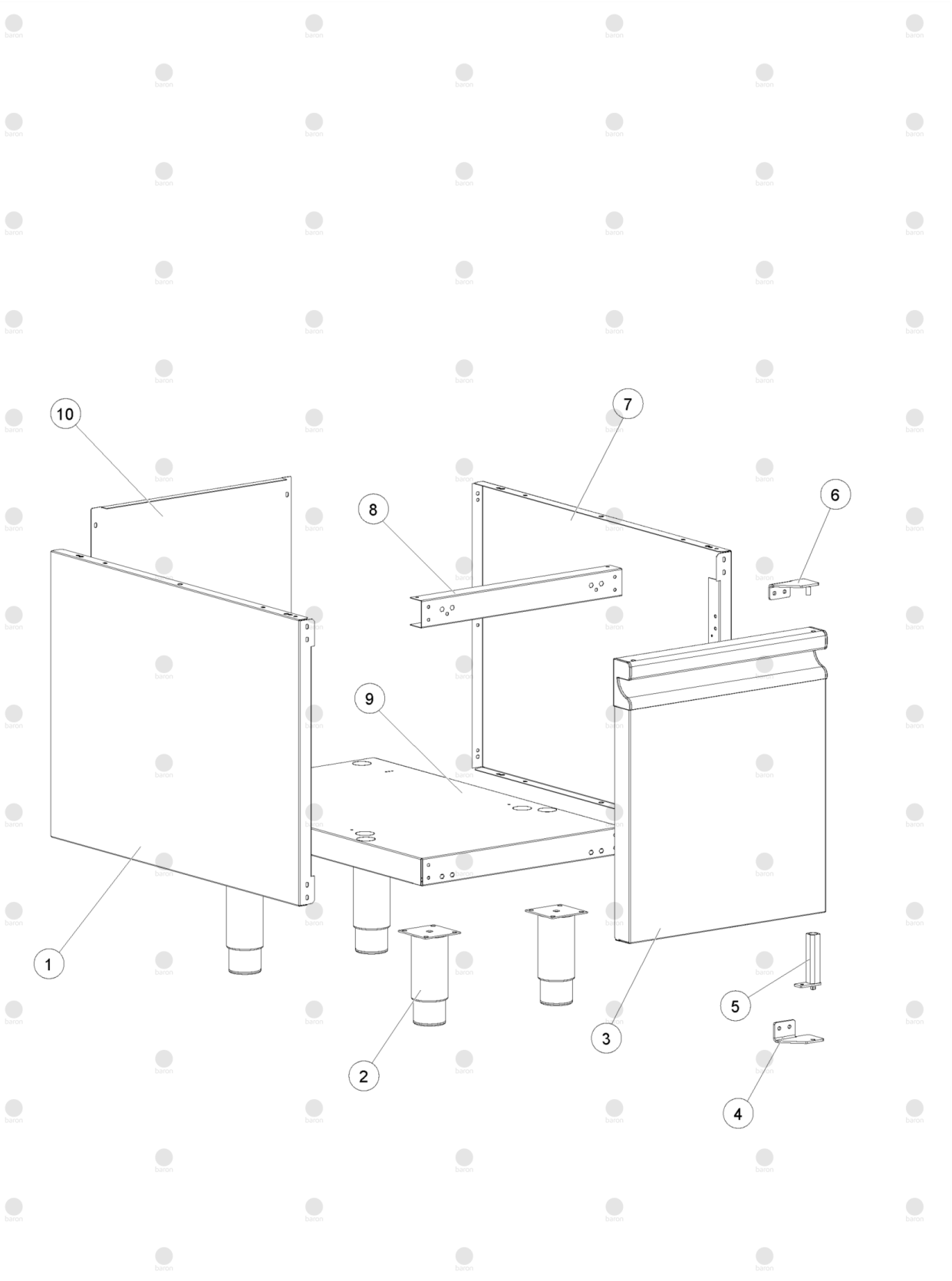


Table_A

EDITION 06 2019

CR1014549 - CR1014559 Q70BM-BMV/E410

Pos	Art.- Nr.	Bezeichnung
0001	BN2540060	HALTERUNG [C]
0002	MA1036500500	FUSS [C]
0003	MA1878400	KLEMMBRETT [C]
0006	CR1020950	CONTRODADO OBO 116/PG16 NY
0007	CR1020940	KABELKLEMME
0008	CR1265630	DISTANZIALE CRUSCOTTI BARON B18
0009	CR0585560	DISTANZIERSTÄCK [C] BEDIENUNGSBRETT
0010	CR1176690	MANIGLIA PORTA M40 OLIS
0011	CR1312720	CRUSCOTTO BAGNOM.90 M40 EL. BARON B18
0012	BN6A036203	2 POLE-KLEMMBRETT [C]
0014	MA1634200	HEIZELEMENT [C] WASSERBAD
0016	CR1220380R	MAGNETVENTIL [C] WASSER
0019	CR0585120	TERMOSTATO SICUREZZA BM EGO 55.32522.858
0021	MA1033501800	SHELLE [C]
0022	SI8205240	ROHR [C]
0023	MA1033501800	SHELLE [C]
0026	SI0100495	WASSERZULAUFDÄSE F.BAINMARIE
0027	MA1528200	DICHTUNG FUER BM900 1M GAS/EL.
0028	SI0100684	GUMMIHALTER 3/8
0029	MA1230100	SCHALTER [C]
0030	CR0587650	DICHTUNG [C] WELLE
0031	CR1176160	PLACCA CROMATA MANOPOLA BARON B18
0034	CR0410290	KNOPF [C]
0035	CR0410310	DECKEL [C] SP60PRT1
0037	MA1037035015	THERMOSTAT [C] 30°-90°C
0038	CR0587500	ORANGE KONTROLLAMPE [C]
0039	CR1265620	STAFFA UNIONE ANT. APPARECCHIATURE B18
0040	CR1265780	ASS.FIANCO DX TOP 700 BARON B18
0041	CR1265790	ASS.FIANCO SX TOP 700 BARON B18
0042	CR0581360	SCHIENALE TOP M40
0043	MACM142200	QUERHAUPT [C] 700
0044	MACM142100	UEBERLAUFROHR [C] WASSERBAD
0045	MACM142000	DICHTUNG [C] 20,22X3,53
0047	CR1176580	GRIGLIA SC/FUMI GHISA M40 BARON
0051	CR0732340	FALSOFONDO BAGNOMARIA 700 M40
0052	CR1312940	ASS.PIANO-VASCA BAGNOM.70 M40 BARON B18



Table_B

EDITION 06 2019

CR1014549 - CR1014559 Q70BM-BMV/E410

Pos	Art.- Nr.	Bezeichnung
0001	CR0907020	FIANCO BASE VANO 700 BARON
0002	MA6086113	FUSSGRUPPE [C] H. 200
0003	CR1177400	PORTA MONTATA 40-80 DIAMAN.70-90/10 LOGO
0004	CR1024540	CERN. INFER. DX PORTA AUTOCHIUDENTE 1100
0004	CR1024550	CERN. INFER. SX PORTA AUTOCHIUDENTE 1100
0005	BN1412052	UNTERE SCHARNIER [R]
0006	CR1024560	ASS. CERN. SUP. DX PORTA AUTOCHIUD. 1100
0006	CR1024570	ASS. CERN. SUP. SX PORTA AUTOCHIUD. 1100
0007	CR0907020	FIANCO BASE VANO 700 BARON
0008	CR0901600	TRAVERSA SUPERIORE BASE VANO M40 BARON
0009	CR0907120	RIPIANO INFERIORE VANO 700 M40 BARON
0010	CR0582760	SCHIENALE BASE VANO M40