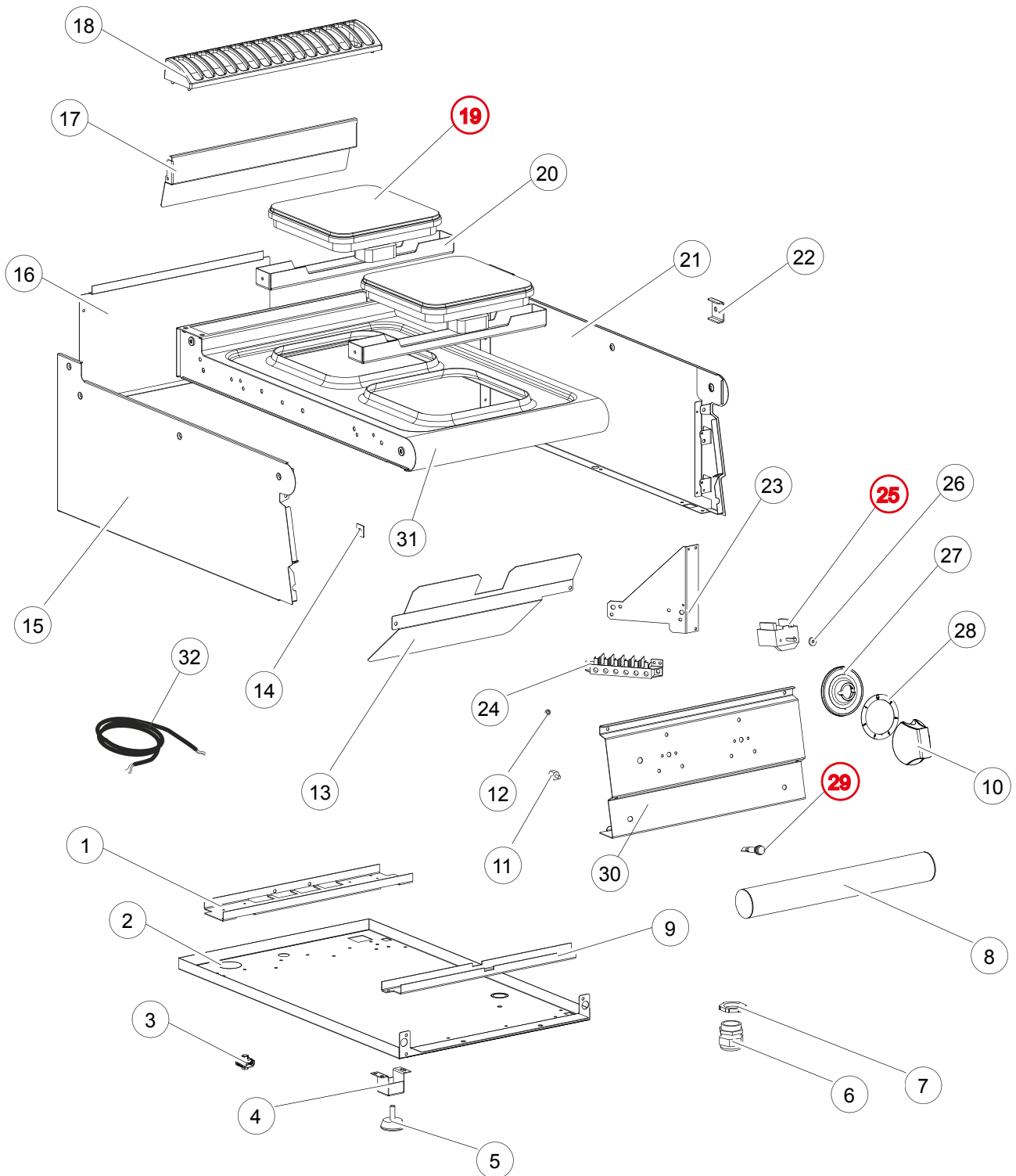




baron

QUEEN7
ELECTRIC RANGES / CUCINE ELETTRICHE

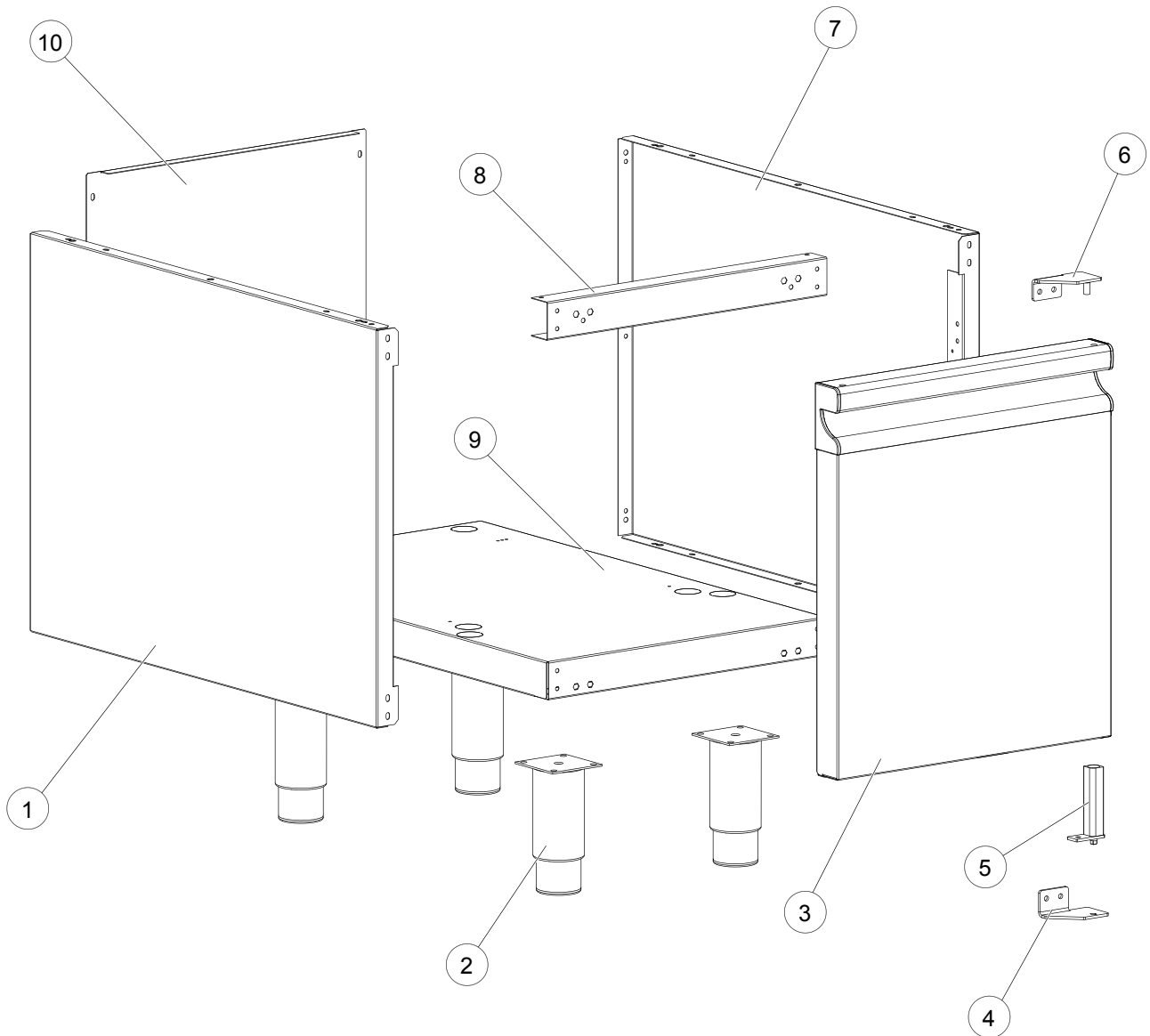


Table_A

EDITION 03 2019

* >>> **Ricambio consigliato/raccomended part**
#>>> **Accessorio/accessory**

CR1012699 - CR1012719 Q70PC-PCV/E401



Table_B

EDITION 03 2019

* >>> Ricambio consigliato/raccomended part
#>>> Accessorio/accessory

CR1012699 - CR1012719 Q70PC-PCV/E401

QUEEN7

ELECTRIC RANGES / CUCINE ELETTRICHE

Table_A

POS.	CODE/CODICE	PIECES	DESCRIPTION	DESCRIZIONE	DATA	R.C.
1	CR1022950	1	BOTTOM REINFORCEMENT BRACKET	SQ.RINF.FONDO FRY TOP M40 700 BARON		
2	CR0909960	1	BOTTOM PANEL	FONDO TOP CUC. GAS M40 700 BARON		
3	MA1878400	1	EQUIPOTENTIAL TERMINAL	MORSETTO A PETTINI BM5251 X EQUIPOTENZ.		
4	BN2540060	1	FEET SUPPORT	SUPPORTO PIEDINO APP. TOP 70/02		
5	MA1036500500	4	ADJUSTABLE FEET	PIEDE REGOLAB.6 40 M8 PRP 114015		
6	CR1020960	1	CABLE PRESS	PRESSACAVO OBO V-TEC PG21 LGR 2024764		
7	CR1020970	1	CABLE PRESS NUT	CONTRODADO OBO 116 VDE PG21 PA 2048221		
8	CR1176690	1	ASSEMBLY DASHBOARD HANDLE	ASS. TUBO FRONTALE CRUSCOT.M40 BARON B18		
9	CR1021450	1	BOTTOM REINFORCEMENT BRACKET	SQ.RINF.FONDO FRY TOP M40 700 BARON		
10	CR1176130R	2	ASSEMBLY KNOB	MANOPOLA ALBERINO D.6 CROMATA BARON B18		
11	CR1265630	2	UPPER DASHBOARD SPACER	DISTANZIALE CRUSCOTTI BARON B18		
12	CR0585560	4	BOTTOM DASHBOARD SPACER	DISTANZIALE PER CRUSCOTTO		
13	CR0903270	1	DASHBOARD PROTECTION	PROTEZIONE COM. CUC.EL/IRRAGG. M40 BARON		
14	CR1313790	4	TOP PLATE SPACER	SPESSORE INTERMEDIO TESTATINE		
15	CR1265790	1	LEFT ASSEMBLY SIDE PANEL	ASS.FIANCO SX TOP 700 BARON B18		
16	CR0581360	1	REAR PANEL	SCHIENALE TOP M40		
17	CR1311650	1	CHIMNEY PROTECTION	PROTEZIONE POST. CAMINO M40 B18		
18	CR1176580	1	REAR CHIMNEY GRID	GRIGLIA SC/FUMI GHISA M40 BARON B18		
19	MA1712913	2	TOP ELECTRIC PLATE 2600W	PIASTRA EL.Q220 2600W 230V		*
20	CR0730121	2	TOP PLATE REINFORCEMENT	RINFORZO PIANO CUCINE EL.700 P.Q.M40		
21	CR1265780	1	RIGHT ASSEMBLY SIDE PANEL	ASS.FIANCO DX TOP 700 BARON B18		
22	CR1265620	4	TOP PLATE UNION BRACKET	STAFFA UNIONE ANT. APPARECCHIATURE B18		
23	CR0902050	1	TERMINAL BOARDS SUPPORT	SUPPORTO MORSETTIERA MULTIPLA BARON		
24	CR0588170	1	THERMINAL BOARD	MORSETTIERA NOVA KL116E 6 POLI 40A		
25	MA1616100	2	ELECTRICAL PLATE SWITCH	COMMUTATORE PIASTRA EGO 4927215746		*
26	CR0587650	2	KNOB GASKET	GUARNIZIONE ALBERINO COMP.ELETTRICI		
27	CR1176160	2	UNDER KNOB	PLACCA CROMATA MANOPOLA BARON B18		
28	CR1176440	1	FRONTAL DISC KNOB	DISCO PLACCA D76.5 CUC.ELE.ANT.BARON B18		
	CR1176450	1	REAR DISC KNOB	DISCO PLACCA D76.5 CUC.ELE.POS.BARON B18		
29	CR0587500	1	ORANGE LIGHT	SPIA ARANCIO C.GUARNIZ.3SESX31B11E2H000		*
30	CR1311070	1	FRONTAL DASHBOARD	CRUSCOTTO PC/E M40 BARON B18		
31	CR1311320	1	ASSEMBLY TOP PLATE	ASS.PIANO Q70PC/E400 P/QUAD M40 700 B18		
32	CR0737150	1	ASSEMBLY CABLES	CABLAGGIO CUCINA TOP 700 M40		
33						

Table_B

POS.	CODE/CODICE	PIECES	DESCRIPTION	DESCRIZIONE	DATA	C
1	CR0907020	2	EXTERNAL SIDE PANEL	FIANCO BASE VANO 700 BARON		
2	MA6086113	4	ASSEMBLY FEET	ASS.PIEDINO /1 3/4 INOX FLANG.H150		
3	CR1177380	1	ASSEMBLY DOOR	PORTA MONTATA VANO M20 BARON B18		
4	CR1024540	1	RIGHT BOTTOM HINGE	CERN. INFER. DX PORTA AUTOCHIUDENTE 1100		
	CR1024550	1	LEFT BOTTOM HINGE	CERN. INFER. SX PORTA AUTOCHIUDENTE 1100		
5	BN1412052	1	HINGE SPRING	CERNIERA INF PIVOT CT5000		
6	CR1024560	1	RIGHT UPPER HINGE	ASS. CERN. SUP. DX PORTA AUTOCHIUD. 1100		
	CR1024570	1	LEFT UPPER HINGE	ASS. CERN. SUP. SX PORTA AUTOCHIUD. 1100		
7	CR0907020	2	EXTERNAL SIDE PANEL	FIANCO BASE VANO 700 BARON		
8	CR0901600	1	TOP CROSSBAR	TRAVERSA SUPERIORE BASE VANO M40 BARON		
9	CR0907120	1	BOTTOM PANEL	RIPIANO INFERIORE VANO 700 M40 BARON		
10	CR0582760	1	REAR PANEL	SCHIENALE BASE VANO M40		

* >>> Ricambio consigliato

>>> Accessorio