

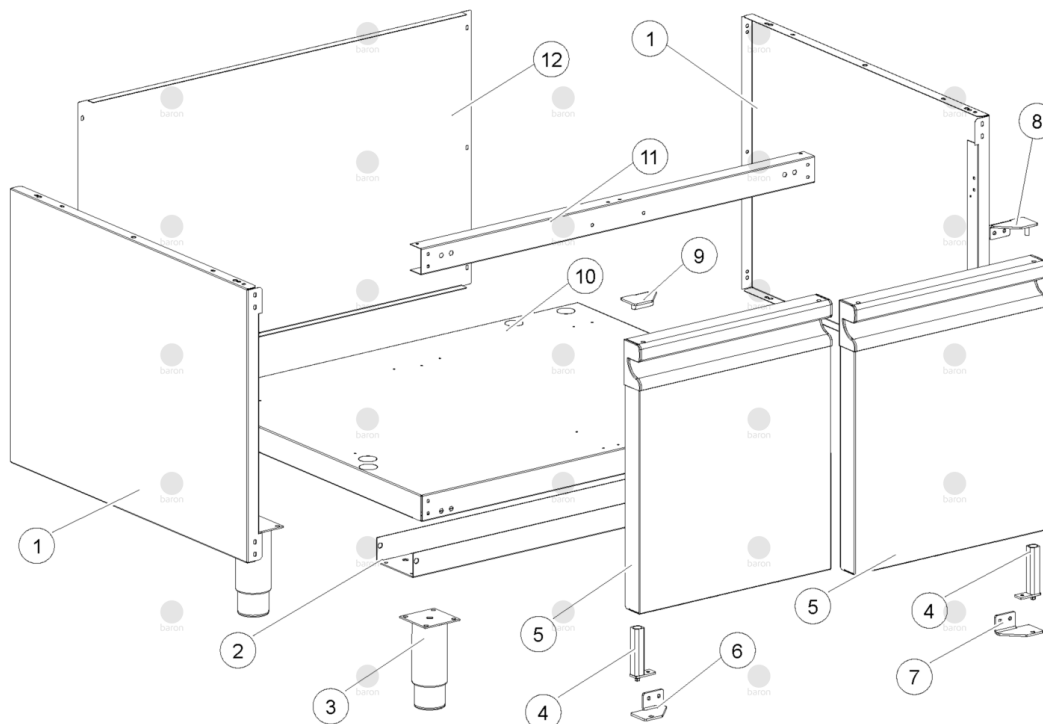
Table_A

EDITION 06 2019

CR1017939 - CR1017949 Q90BM-BMV/E800

Pos	Art.- Nr.	Bezeichnung
0001	BN2540060	HALTERUNG [C]
0002	MA1036500500	FUSS [C]
0003	SI8208290	TRONCHETTO PER CARICO ACQUA
0004	CR1313340	VALVOLA ANTIRIFLUSSO EA
0005	CR1020950	CONTRODADO OBO 116/PG16 NY
0006	CR1020940	KABELKLEMME
0007	MA1878400	KLEMMBRETT [C]
0008	CR1265630	DISTANZIERSTÄCK [C]
0009	CR0585560	DISTANZIERSTÄCK [C] BEDIENUNGSBRETT
0010	CR1176730	VORDERROHR M80 BARON B18
0011	CR1312740	CRUSCOTTO BAGNOM.90 M80 EL. BARON B18
0012	CR0587640	PROFILO GUARNIZIONE CRUSCOTTI
0013	CR0971800	SUPPORTO MORSETTIERA INF. BAGNOMARIA
0014	CR1074820	SUPPORTO MORSETTIERA SUP. BAGNOM/BARON
0015	MA1634200	HEIZELEMENT [C] WASSERBAD
0016	CR1312830	FONDO BAGNOMARIA 90 M80 EL. BARON B18
0017	CR0585110	SCATOLA RESISTENZE BAGNOMARIA 900 M80
0018	MACM125700	SUPPORTO RESISTENZE BAGNOMARIA M80
0019	SI8205280	CABLAGGIO BAGNOMARIA M80
0020	CR1265750	ASS.FIANCO SX TOP 900 BARON B18
0021	SI0100495	WASSERZULAUFDÄSE F.BAINMARIE
0022	CR1228790	CONTRODADO DA 1/2 X RACC.TUBO FLES.
0023	SI0100684	GUMMIHALTER 3/8
0024	MA1528200	DICHTUNG FUER BM900 1M GAS/EL.
0025	CR0584330	SUPPORTO BULBO SICUREZZA BM EL.900
0026	MA1037104000	6 POLE-KLEMMBRETT [C] 450V
0027	MA1033501800	SHELLE [C]
0028	SI8205240	ROHR [C]
0029	CR0586410	SUPPORTO BULBO LAVORO BM 900
0030	MA1230100	SCHALTER [C]
0031	CR0587650	DICHTUNG [C] WELLE
0032	CR1176160	PLACCA CROMATA MANOPOLA BARON B18
0033	CR1176420	SCHEIBE [C] PLATTE D. 76,5 BARON
0034	CR1360950R	MANOP. COMP. ALB. D.6 C/MOLLA CROMAT.B18
0035	CR0410290	KNOPF [C]
0036	CR0410310	DECKEL [C] SP60PRT1
0037	CR1176370	SCHEIBE [C] PLATTE D. 76,5 BARON
0038	MA1037035015	THERMOSTAT [C] 30°-90°C
0039	CR1312660	SUPPORTO TERMOST.SIC.BAGNOM.EL.BARON B18
0040	CR0585120	TERMOSTATO SICUREZZA BM EGO 55.32522.858
0041	CR1220380R	MAGNETVENTIL [C] WASSER
0042	SI8205210	SUPPORTO ELETTROV.BAGNOMARIA
0043	SI0100655	RIDUZIONE 3/4F CIL.1/2M CON. IN PLASTICA
0044	CR0587500	ORANGE KONTROLLAMPE [C]
0045	SI0109157	FLEXROHR [C] L. 1000
0046	CR1312910	ASS.PIANO-VASCA BAGNOM.90 M80 EL. BA B18
0047	CR1265620	FLANSCH

Pos	Art.- Nr.	Bezeichnung
0048	CR1265740	ASS.FIANCO DX TOP 900 BARON B18
0049	CR0583900	FALSOFONDO BAGNOMARIA 900 M80
0050	CR1314430	VERSCHLUSS [C] RAUCHABZUG BARON
0051	MACM142500	QUERHAUPT [C] WASSERBAD 900 M80
0052	MACM142000	DICHTUNG [C] 20,22X3,53
0053	MACM142100	UEBERLAUFROHR [C] WASSERBAD
0054	CR0583910	QUERHAUPT [C]
0055	CR1225840	SCHIENALE TOP M80 304
0056	CR1176580	SCHUTZGITTER [C] RAUCHABLAUF
0057	CR0586930	PROLUNGA M6X80



Table_B

EDITION 06 2019

CR1017939 - CR1017949 Q90BM-BMV/E800

Pos	Art.- Nr.	Bezeichnung
0001	CR0907020	FIANCO BASE VANO 700 BARON
0002	CR0584660	QUERHAUPT [C]
0003	MA6086113	FUSSGRUPPE [C] H. 200
0004	BN1412052	UNTERE SCHARNIER [R]
0005	CR1177380	PORTA MONTATA 40-80 DIAMAN.70-90/10 LOGO
0006	CR1024550	CERN. INFER. SX PORTA AUTOCHIUDENTE 1100
0007	CR1024540	CERN. INFER. DX PORTA AUTOCHIUDENTE 1100
0008	CR1024560	ASS. CERN. SUP. DX PORTA AUTOCHIUD. 1100
0009	CR1024570	ASS. CERN. SUP. SX PORTA AUTOCHIUD. 1100
0010	CR0907180	RIPIANO INFERIORE VANO 700 M80 BARON
0011	CR0901640	TRAVERSA SUPERIORE BASE VANO M80 BARON
0012	CR0583400	SCHIENALE BASE VANO M80