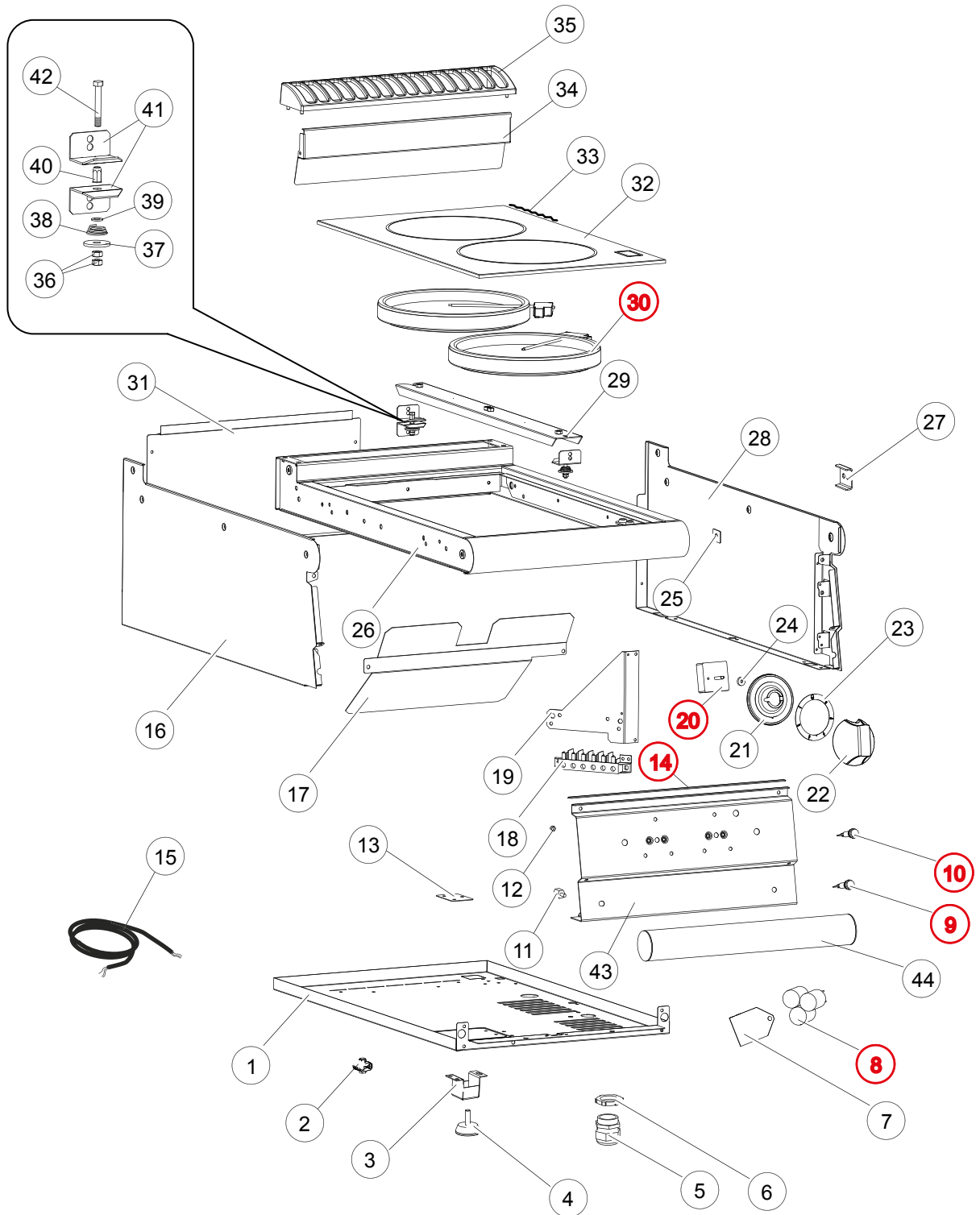




baron

QUEEN7
ELECTRIC RANGES WITH CERAMIC GLASS / CUCINE VETROCERAMICA



Table_A

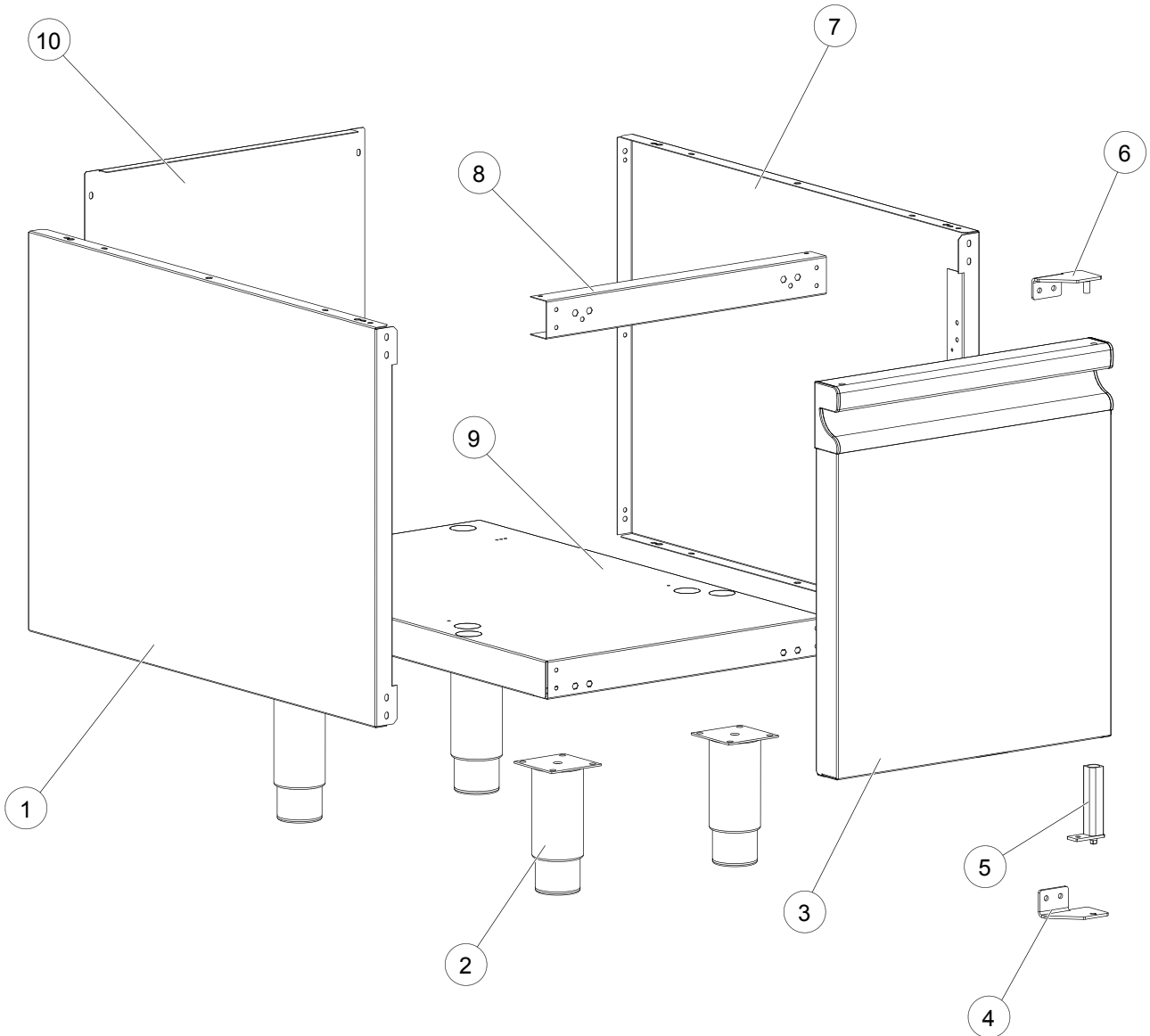
EDITION 03 2019

* >>> Ricambio consigliato/raccomended part
#>>> Accessorio/accessory

CR1012959 - CR1012969 Q70PC-PCV/VCE400



QUEEN7
ELECTRIC RANGES WITH CERAMIC GLASS / CUCINE VETROCERAMICA



Table_B

EDITION 03 2019

* >>> Ricambio consigliato/raccomended part
#>>> Accessorio/accessory

CR1012959 - CR1012969 Q70PC-PCV/VCE400

QUEEN7

ELECTRIC RANGES WITH CERAMIC GLASS / CUCINE VETROCERAMICA

Table_A

| POS. | CODE/CODICE | PIECES | DESCRIPTION | DESCRIZIONE | DATA | R.C. |
|------|--------------|--------|-----------------------------|--|------|------|
| 1 | CR0908160 | 1 | BOTTOMA PANEL | FONDO TOP FRY TOP/IRRAG. M40 700 BARON | | |
| 2 | MA1878400 | 1 | EQUIPOTENTIAL TERMINAL | MORSETTO A PETTINI BM5251 X EQUIPOTENZ. | | |
| 3 | BN2540060 | 4 | FEET SUPPORT | SUPPORTO PIEDINO APP. TOP 70/02 | | |
| 4 | MA1036500500 | 4 | ADJUSTABLE FEET | PIEDE REGOLAB.6 40 M8 PRP 114015 | | |
| 5 | CR1020960 | 1 | CABLE PRESS | PRESSACAVO OBO V-TEC PG21 LGR 2024764 | | |
| 6 | CR1020970 | 1 | CABLE PRESS NUT | CONTRODADO OBO 116 VDE PG21 PA 2048221 | | |
| 7 | MA1986700 | 1 | FILTER SUPPORT BRACKET | SQUADRETTA SUPPORTO FILTRI | | |
| 8 | CR0791320 | 3 | CAPACITOR | FILTRO ANTIDISTURBO DEM FC701Y2FL | | * |
| 9 | CR0587500 | 1 | ORANGE LIGHT | SPIA ARANCIO C.GUARNIZ.3SESX31B11E2H000 | | * |
| 10 | CR0792810 | 2 | RED LIGHT | SPIA CALORE RESIDUO | | * |
| 11 | CR1265630 | 2 | BOTTOM DASHBOARD SPACER | DISTANZIALE CRUSCOTTI BARON B18 | | |
| 12 | CR0585560 | 4 | DASHBOARD SPACER | DISTANZIALE PER CRUSCOTTO | | |
| 13 | CR1027570 | 1 | BOTTOM PANEL BRACKET | SQ. FIS. SPORT. ACCESSO VALV. FTTG 70NE | | |
| 14 | CR0587640 | 1 | DASHBOARD GASKET | PROFILO GUARNIZIONE CRUSCOTTI | | |
| 15 | CR0791320 | 1 | CERAMIC GLASS WIRING | CABLAGGIO NV74E | | |
| 16 | CR1265790 | 1 | LEFT ASSEMBLY SIDE PANEL | ASS.FIANCO SX TOP 700 BARON B18 | | |
| 17 | CR0903270 | 1 | DASHBOARD PROTECTION | PROTEZIONE COM. CUC.EL/IRRAGG. M40 BARON | | |
| 18 | CR0588170 | 1 | TERMINAL BOARD | MORSETTIERA NOVA KL116E 6 POLI 40A | | * |
| 19 | CR0902050 | 1 | TERMINAL BOARD SUPPORT | SUPPORTO MORSETTIERA MULTIPLA BARON | | |
| 20 | MACM293900 | 2 | ENERGY REGULATOR | REGOLATORE ENERGIA EGO 50.55021.100 | | * |
| 21 | CR1176160 | 2 | UNDER KNOB | PLACCA CROMATA MANOPOLA BARON B18 | | |
| 22 | CR1176130R | 2 | ASSEMBLY KNOB | MANOPOLA ALBERINO D.6 CROMATA BARON B18 | | |
| 23 | CR1176380 | 1 | FRONTAL KNOB DISC | DISCO PLACCA D76.5 REG.ENE.ANT.BARON B18 | | |
| | CR1176390 | 1 | REAR KNOB DISC | DISCO PLACCA D76.5 REG.ENE.POS.BARON B18 | | |
| 24 | CR0588510 | 1 | UNDER KNOB GASKET | GUARNIZIONE CRUSCOTTI ELETTRICI 900 | | |
| 25 | CR1313790 | 4 | TOP PLATE SPACER | SPESSORE INTERMEDIO TESTATINE | | |
| 26 | CR1315300 | 1 | ASSEMBLY TOP PLATE | ASS.PIANO VTC/IND 700 M40 BARON B18 | | |
| 27 | CR1265620 | 4 | UNION BRACKET | STAFFA UNIONE ANT. APPARECCHIATURE B18 | | |
| 28 | CR1265780 | 1 | RIGHT ASSEMBLY SIDE PANEL | ASS.FIANCO DX TOP 700 BARON B18 | | |
| 29 | CR0791300 | 1 | HEATING ELEMENT CROSSBAR | TRAVERSINO SUPPORTO ELEMENTI RADIANTI | | |
| 30 | CR0791310 | 2 | HEATING ELEMENT 2,5KW | ELEMENTO RADIANTE 2,5KW EGO1073631004/03 | | * |
| 31 | CR0581360 | 1 | REAR PANEL | SCHIENALE TOP M40 | | |
| 32 | CR0739240 | 1 | CERAMIC GLASS M40 | VETROCERAMICA CUCINA INDUZIONE 700 M40 | | |
| 33 | BN6A098350 | 1 | SILICON 310ML | SILICONE NOVASIL S56 310ml 7056404 | | |
| 34 | CR1311650 | 1 | CHIMNEY INTERNAL PROTECTION | PROTEZIONE POST. CAMINO M40 B18 | | |
| 35 | CR1176580 | 1 | CHIMNEY GRID | GRIGLIA SC/FUMI GHISA M40 BARON B18 | | |
| 36 | BN6A008710 | 4 | INOX NUT M5 | DADO M 5 INOX | | |
| | MA1033501900 | 2 | WASHER 6.6X24 | ROSETTA PIANA ZN/CROMATA 6.6*24 6593 | | |
| 37 | MACM294000 | 2 | HEATING ELEMENT SPRING | MOLLA PER ELEMENTO RADIANTE | | |
| 39 | BN6A005301 | 2 | WASHER D.5 | ROSETTE PIANE DIAM. 5 A2 | | |
| 40 | BN6A006600 | 2 | ESAGONAL INSERT M5 | INSERTI FIL.TFL ESAGO M5 RF41 | | |
| 41 | CR0820260 | 3 | CROSSBAR SUPPORT | SUPPORTO TRAVERSINO IRRAGGIAMENTO 700 | | |
| 42 | CR0684800 | 2 | BOLT M5X35 | VITE TE 4.8 ZN M 5X35 UNI EN 24017 | | |
| 43 | CR1315350 | 1 | FRONTAL DASHBOARD | CRUSCOTTO IRRAGGIAM. 700 M40 BARON B18 | | |
| 44 | CR1176690 | 1 | ASSEMBLY DASHBOARD HANDLE | ASS. TUBO FRONTALE CRUSCOT.M40 BARON B18 | | |

Table_B

| POS. | CODE/CODICE | PIECES | DESCRIPTION | DESCRIZIONE | DATA | C |
|------|-------------|--------|---------------------|--|------|---|
| 1 | CR0907020 | 1 | EXTERNAL SIDE PANEL | FIANCO BASE VANO 700 BARON | | |
| 2 | MA6086113 | 4 | ASSEMBLY FEET | ASS.PIEDINO /1 3/4 INOX FLANG.H150 | | |
| 3 | CR1177380 | 1 | ASSEMBLY DOOR | PORTA MONTATA VANO M20 BARON B18 | | |
| 4 | CR1024540 | 1 | RIGHT BOTTOM HINGE | CERN. INFER. DX PORTA AUTOCHIUDENTE 1100 | | |
| | CR1024550 | 1 | LEFT BOTTOM HINGE | CERN. INFER. SX PORTA AUTOCHIUDENTE 1100 | | |
| 5 | BN1412052 | 1 | HINGE SPRING | CERNIERA INF PIVOT CT5000 | | |
| 6 | CR1024560 | 1 | RIGHT UPPER HINGE | ASS. CERN. SUP. DX PORTA AUTOCHIUD. 1100 | | |
| | CR1024570 | 1 | LEFT UPPER HINGE | ASS. CERN. SUP. SX PORTA AUTOCHIUD. 1100 | | |
| 7 | CR0907020 | 1 | EXTERNAL SIDE PANEL | FIANCO BASE VANO 700 BARON | | |
| 8 | CR0901600 | 1 | TOP CROSSBAR | TRAVERSA SUPERIORE BASE VANO M40 BARON | | |
| 9 | CR0907120 | 1 | BOTTOM PANEL | RIPIANO INFERIORE VANO 700 M40 BARON | | |
| 10 | CR0582760 | 1 | REAR PANEL | SCHIENALE BASE VANO M40 | | |

* >>> Ricambio consigliato

>>> Accessorio