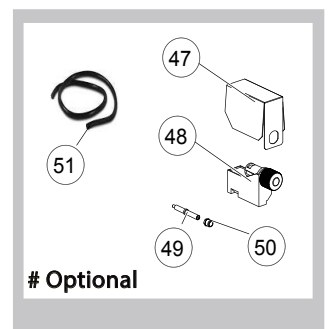
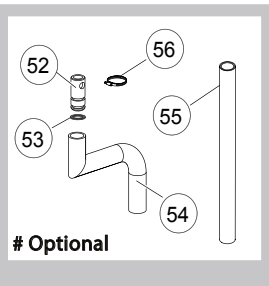
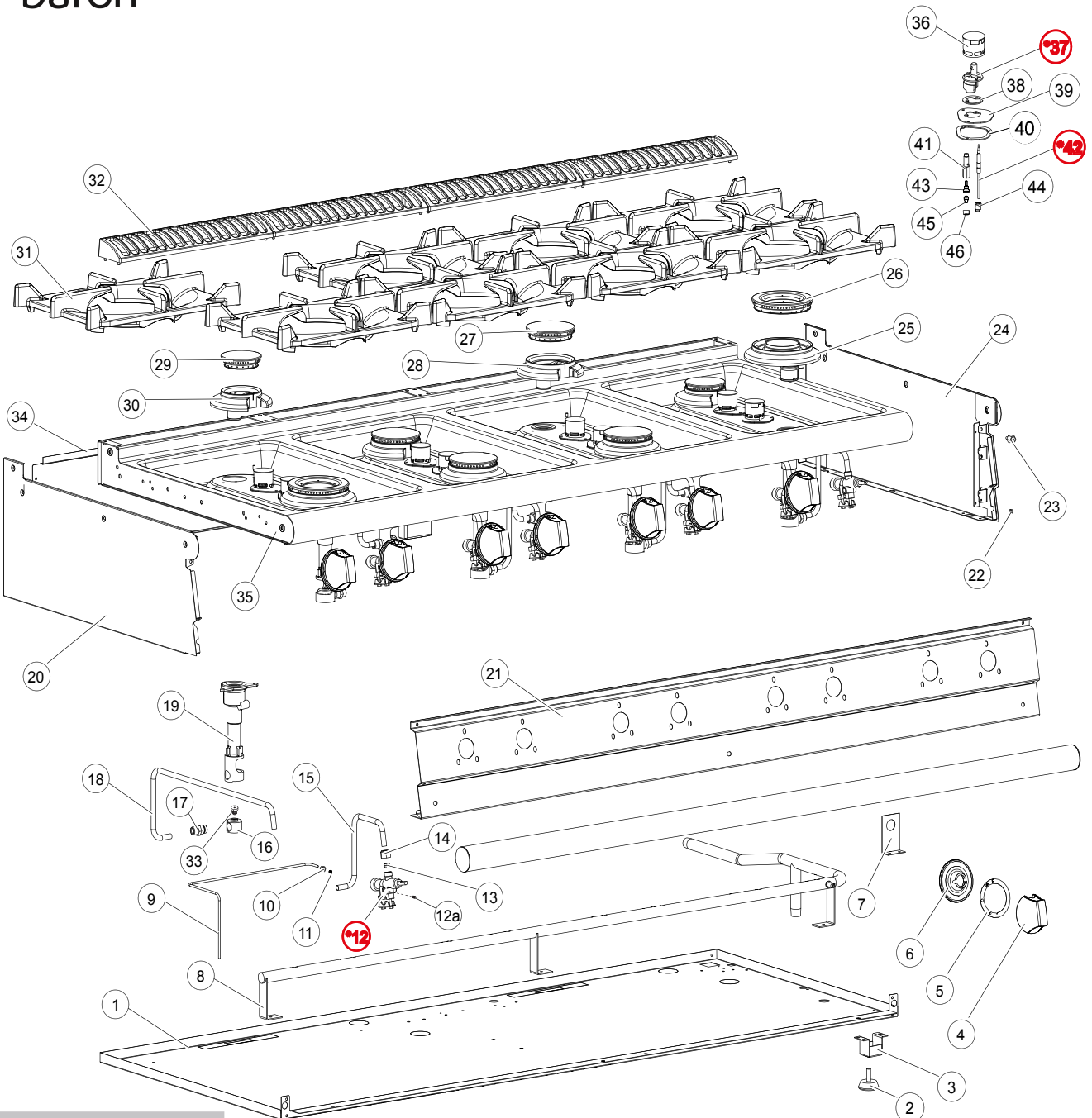




QUEEN7
GAS RANGES / CUCINE A GAS



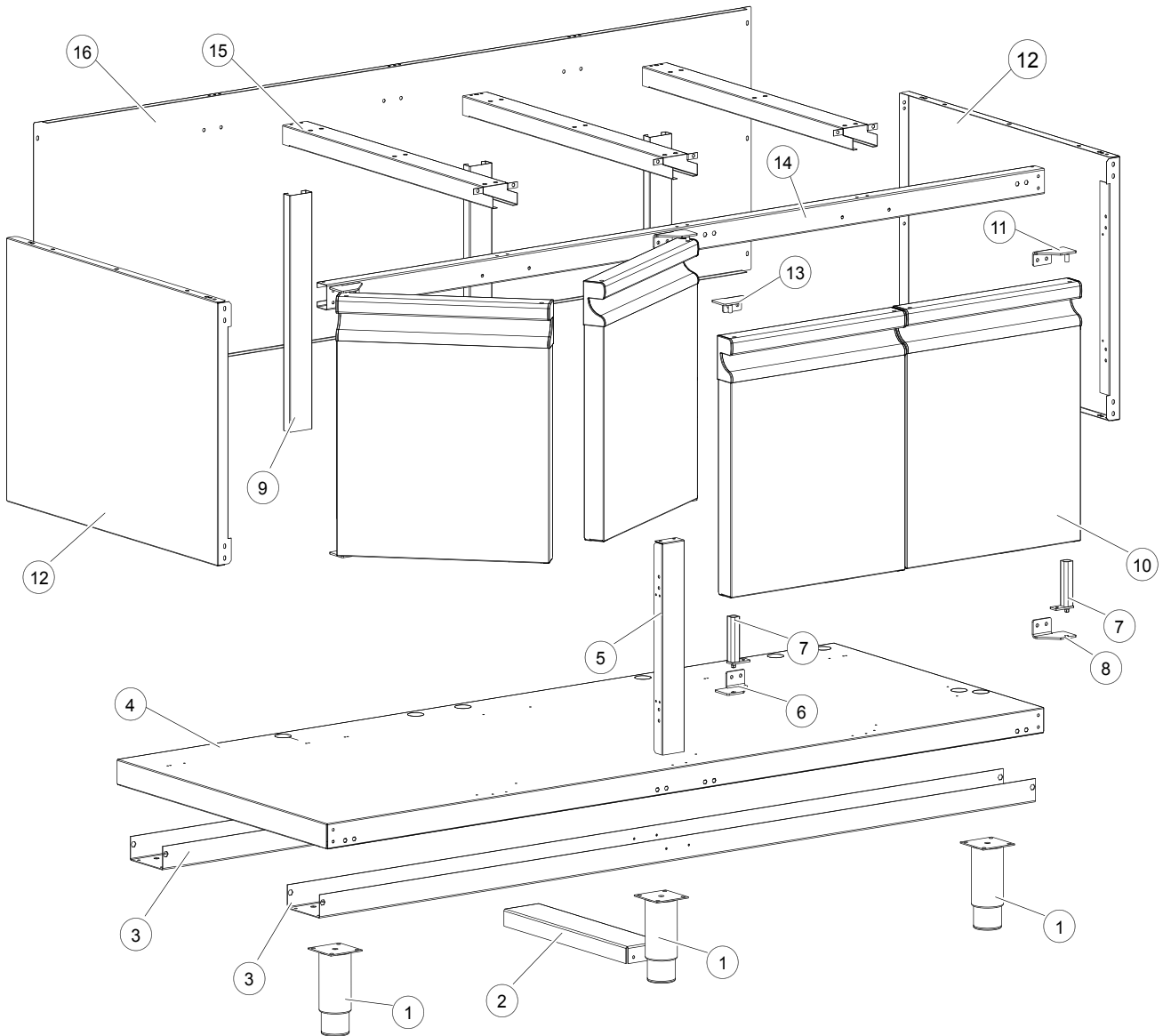
Table_A

EDITION 11 2018

* >>> Ricambio consigliato/raccomended part
#>>> Accessorio/accessory

CR1012269 - CR1012409 - CR1012549 - CR1012559 Q70PC-PCV/G1606

CR1012279 - CR1012429 - CR1012569 - CR1012579 Q70PC-PCV/G1616



Table_B

EDITION 11 2018

*** >>> Ricambio consigliato/raccomended part**
#>>> Accessorio/accessory

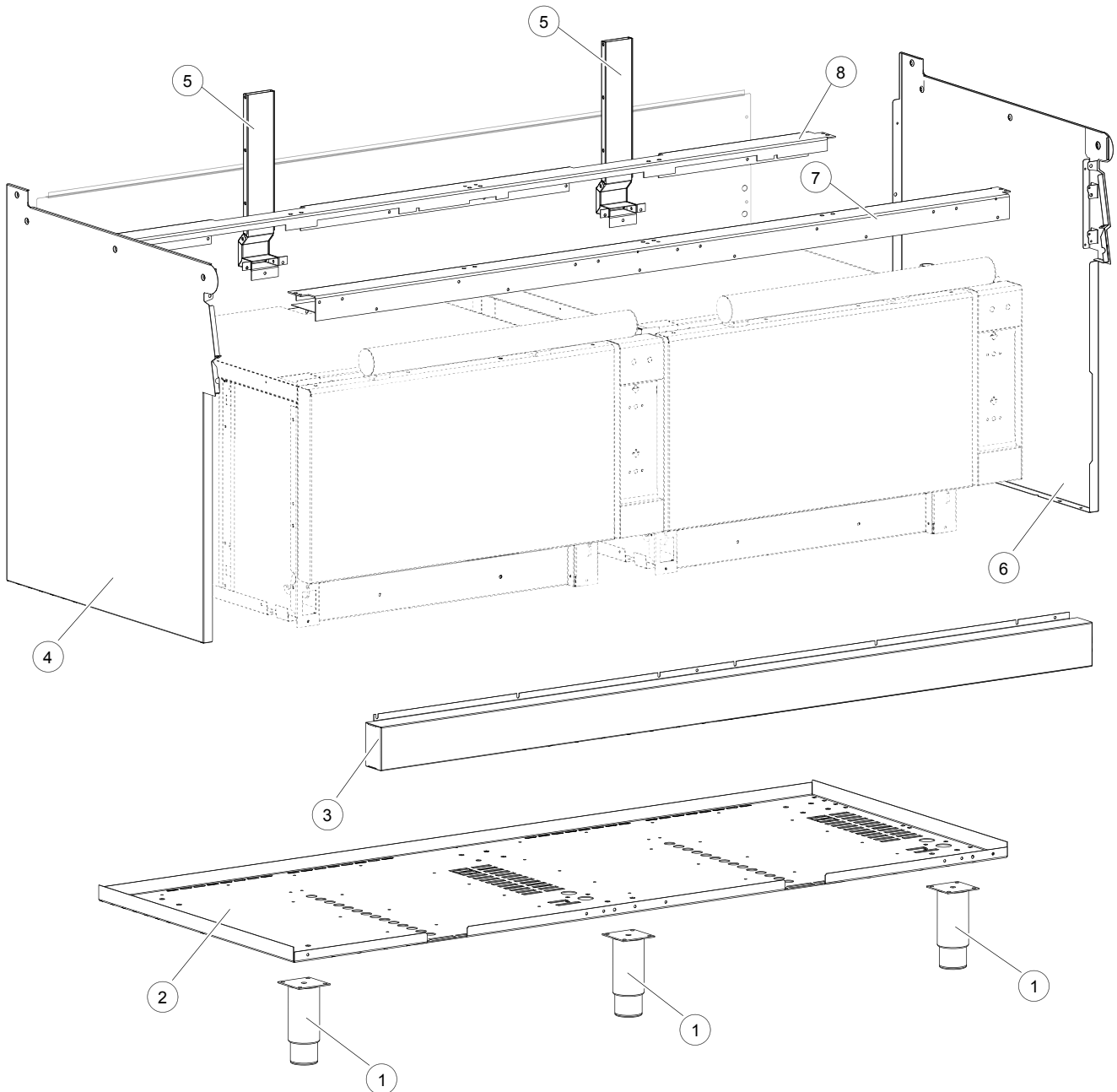
CR1012269 - CR1012409 - CR1012549 - CR1012559 Q70PC-PCV/G1606

CR1012279 - CR1012429 - CR1012569 - CR1012579 Q70PC-PCV/G1616



baron

QUEEN7
GAS RANGES / CUCINE A GAS



Table_C

EDITION 11 2018

* >>> **Ricambio consigliato/raccomended part**
#>>> **Accessorio/accessory**

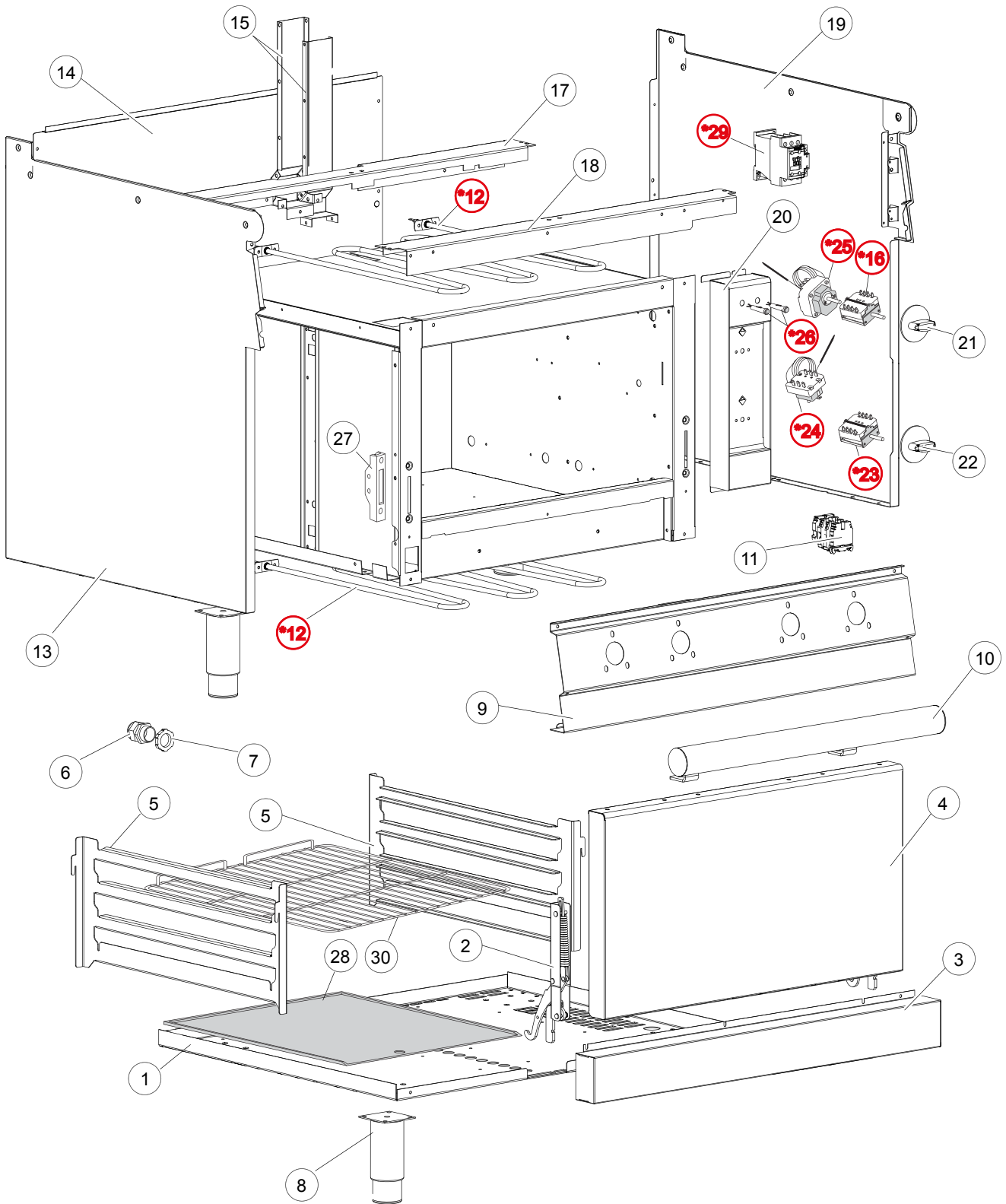
CR1012269 - CR1012409 - CR1012549 - CR1012559 Q70PC-PCV/G1606

CR1012279 - CR1012429 - CR1012569 - CR1012579 Q70PC-PCV/G1616



baron

QUEEN7
GAS RANGES / CUCINE A GAS



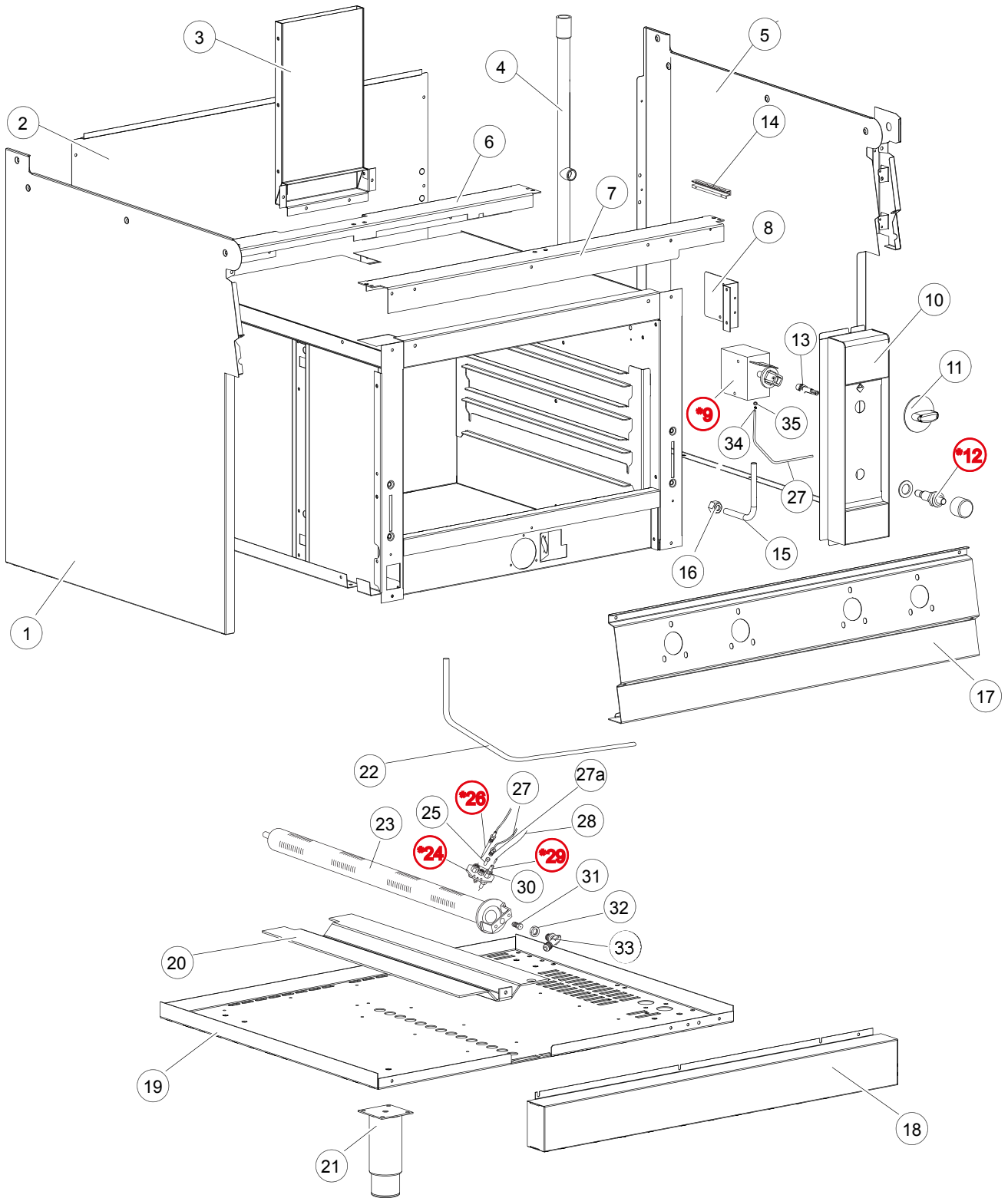
Table_D

EDITION 11 2018

* >>> Ricambio consigliato/raccomended part
#>>> Accessorio/accessory

CR1012269 - CR1012409 - CR1012549 - CR1012559 Q70PC-PCV/G1606

CR1012279 - CR1012429 - CR1012569 - CR1012579 Q70PC-PCV/G1616



Table_E

QUEEN7
GAS RANGES / CUCINE A GAS

Table_A

POS.	CODE/CODICE	PIECES	DESCRIPTION	DESCRIZIONE	DATA	R.C.
1	CR1020040	1	BOTTOM PANEL	FONDO TOP CUC. GAS M160 700 BARON		
2	MA1036500500	8	ADJUSTABLE FEET	PIEDE REGOLAB. 5 40 M8 PRP 114015		
3	BN2540060	8	FEET SUPPORT	SUPPORTO PIEDINO APP. TOP 70/02		
4	CR1176140	8	KNOB	MANOPOLA ALBERINO D.8 CROMATA BARON B18		
5	CR1176250	4	KNOB DISC FRONT BURNER	DISCO PLACCA D76.5 CUC.GAS.ANT.BARON B18		
	CR1176260	4	KNOB DISC REAR BURNER	DISCO PLACCA D76.5 CUC.GAS.POS.BARON B18		
6	CR1176160	8	UNDER KNOB	PLACCA CROMATA MANOPOLA BARON B18		
7	CR0584900	1	RAMP SUPPORT	SUPPORTO RAMPA TOP CUCINE		
8	CR1020050	1	ASSEMBLY RAMP	ASS. RAMPA PC/G M160 700 BARON		
9	BN823561700	4	REAR PILOT PIPE	BN-CONDUTT. POSTER. PILOTA N7PC/G NEW		
	BN823561710	4	FRONT PILOT PIPE	BN-CONDUTT. ANTERI. PILOTA N7PC/G NEW		
10	MA673500	8	PILOT NUT M10 X 1/4	DADO M10 x 1/4		
11	MA673600	8	PILOT BICONE /4 S	BICONO /4 S		
12	CR0580450	8	GAS TAP 21S	RUBINETTO GAS PEL 21S/0,90 -ART. 777120		*
12a	TAB. H	8	GAS TAP BY-PASS	BY-PASS RUBINETTO		
13	MA86720	8	BICONE /10	BICONO /10 SIT 0957004		
14	MA1326500	8	NUT M16X1,5	DADO PREMIOGIVA M16X1,5		
15	CR0909980	4	FRONT BURNER PIPE	CONDUT. ANT.RUBIN.-BRUC. N7PC/G NEW70/13		
16	BN822160022	8	NOZZLE HOLDER	PORTA UGELLO NPC/G		
17	BN822160031	8	NOZZLE HOLDER JUNCTION	RACCORDO PER PORTA UGELLO		
18	CR0909990	4	REAR BURNER PIPE	CONDUT.POST.RUBIN.-BRUC. N7PC/G NEW70/13		
19	BN822410012	2	VENTURI 3,5kW	BN-VENTURI PICCOLO BARON		
	BN822410022	4	VENTURI 5,6kW	BN-VENTURI MEDIO BARON		
	BN822410032	2	VENTURI 7kW	BN-VENTURI GRANDE		
20	CR1265790	1	LEFT ASSEMBLY SIDE PANEL	ASS.FIANCO SX TOP 700 BARON B18		
21	CR1177750	1	FRONT DASHBOARD	CRUSCOTTO PC/G M160 BARON B18		
22	CR0585560	4	BOTTOM DASHBOARD SPACER	DISTANZIALE PER CRUSCOTTO		
23	CR1265630	4	UPPER DASHBOARD SPACER	DISTANZIALE CRUSCOTTI BARON B18		
24	CR1265780	1	RIGHT ASSEMBLY SIDE PANEL	ASS.FIANCO DX TOP 700 BARON B18		
25	BN822410670	2	BURNER 7kW	BN-CORPO NEW BRUCIATORE GRANDE BARON		
26	BN822410091	2	FLAME SPREADER 7kW	BN-SPARTIFIAMMA GRANDE BARON		
27	BN822410660	4	BURNER 5,6kW	BN-CORPO NEW BRUCIATORE MEDIO BARON		
28	BN822410081	4	FLAME SPREADER 5,6kW	BN-SPARTIFIAMMA MEDIO BARON		
29	BN822410071	2	FLAME SPREADER 3,5kW	BN-SPARTIFIAMMA PICCOLO BARON		
30	BN822410650	2	BURNER 3,5kW	BN-CORPO NEW BRUCIATORE PICCOLO BARON		
31	BN822410680	8	CAST IRON GRID	BN-GRIGLIA PIANO SMALTATA NEW 70 BARON		
32	CR1176580	4	CHIMNEY GRID	GRIGLIA SC/FUMI GHISA M40 BARON B18		
33	TAB. F	8	BURNER NOZZLE	UGELLO BRUCIATORE		
34	CR0903060	1	REAR PANEL	SCHIENALE TOP M160		
35	CR1317870	1	ASSEMBLY TOP PLATE	ASS. PIANO Q70PC/G1601 8F 70 BARON B18		
	CR1317880	1	ASS. TOP PLATE WITH DRAIN WATER	ASS. PIANO Q70PC/G1611 8F SC.LIQ. 70 B18		
36	BN826350260	8	PILOT PROTECTION	BN-ASS. TUBO PROTEZIONE PILOTA 7-9 PCG		
37	BN822160580	8	ASSEMBLY NEW PILOT	BN-ASS. NUOVO PILOTA FUOCHI CUCINE BARON		*
38	BN825110530	8	PILOT GASKET	BN-GUARNIZIONE FINESTRA PILOTA 7-9PCG NE		
39	BN821122510	8	PILOT BURNER PLATE	BN-PIASTR. P/PILOTA PICCOLO NEW BARON 70		
40	BN825110520	8	PILOT BURNER GASKET	BN-GUARNIZIONE BLOCCO PILOTA 7-9PCG NEW		
41	BN822160590	8	PILOT NOZZLE HOLDER	BN-PORTAUG. NUOVO PILOTA FUOCHI CUC.BARO		
42	MA1916000	8	THERMOCOUPLE M9X1	TERMOCOPPIA M9X1 L=850 SIT 0290018		*
43	TAB. G	8	PILOT NOZZLE	UGELLO PILOTA		
44	MA1891700	8	THERMOCOUPLE JUNCTION	RACCORDO X TERMOCOPPIA SIT 0974036		
45	BN6A016900	8	BICONE /4	BICONO DIAM. 4 200/3.336 PIL.470F		
46	BN6A017000	8	NUT /4	DADO X BIC. D.4 200/3.335 PIL.470F		
#47	SI8209970	1	PROTECTION IGNITER	PROTEZIONE ACCENDITORE BZX 2/1,5 T ANSTO		
#48	SI8206280	1	IGNITER BZX	ACCENDITORE BZX 2/1.5 T - ANSTOSS		
#49	CR0687080	6	ELECTRODE	ELETTRODO ACCENSIONE POLIDORO 031001300		
#50	MA1888400	6	ELECTRODE JUNCTION	RACCORDO FISS.CANDELA SIT 0974037		
#51	BN826690810	3	ELECTRODE CABLE L=1100	ASS. CAVO CANDELA ACCENS. NEW L=1100		
	BN826690820	3	ELECTRODE CABLE L=600	ASS. CAVO CANDELA ACCENS. NEW L=600		
#52	BN822160101	1	TOP PLATE DRAIN OVERFULL	BN-PILETTA DI SCARICO PIANI AUTOPUL.		
#53	BN824710280	6	OVERFULL O-RING	GUARNIZ. OR 3068 D.I.17,13 SP.2,62		
#54	BN826350230	1	DRAIN PIPE LIQUIDS	CONDUTT. SCARICO LIQUIDI 1/2M 70-90		
#55	BN824510020	1	BN-TUBO ACQUA CALDA 3 BAR 28x36	BN-TUBO ACQUA CALDA 3 BAR 28x36		
#56	BN826900440	1	INOX CABLE TIE	FASCETTA INOX 25-40		

* >>> Ricambio consigliato

>>> Accessorio

EDITION 11 2018

CR1012269 - CR1012409 - CR1012549 - CR1012559 Q70PC-PCV/G1606

CR1012279 - CR1012429 - CR1012569 - CR1012579 Q70PC-PCV/G1616

QUEEN7
GAS RANGES / CUCINE A GAS

Table_B

POS.	CODE/CODICE	PIECES	DESCRIPTION	DESCRIZIONE	DATA	C
1	MA6086113	6	ASSEMBLY FEET	ASS.PIEDINO /1"3/4 INOX FLANG.H150		
2	CR0909810	1	BOTTOM CABINET REINFORCEMENT	RINF.RIP.INF.VANO 700 M120-160 BARON		
3	CR0901700	2	BOTTOM CROSSBAR	TRAVERSA INFERIORE VANO M160 BARON		
4	CR0909800	1	BOTTOM PANEL	RIPIANO INFERIORE VANO 700 M160 BARON		
5	MACM021003	1	FRONTAL DOOR SUPPORT	MONTANTE ANTERIORE VANO M80		
6	CR1024550	1	LEFT BOTTOM HINGE	CERN. INFER. SX PORTA AUTOCHIUDENTE 1100		
7	BN1412052	3	DOOR SPRING	CERNIERA INF PIVOT CT5000		
8	CR1024540	2	RIGHT BOTTOM HINGE	CERN. INFER. DX PORTA AUTOCHIUDENTE 1100		
9	CR0586220	3	REAR CABINET SUPPORT	MONTANTE POSTERIORE BASE VANO PRED.		
10	CR1177400	3	ASSEMBLY DOOR M40	PORTA MONTATA VANO M40 BARON B18		
11	CR1024560	2	ASSEMBLY RIGHT UPPER HINGE	ASS. CERN. SUP. DX PORTA AUTOCHIUD. 1100		
12	CR0907020	2	BOTTOM SIDE PANEL	FIANCO BASE VANO 700 BARON		
13	CR1024570	2	ASSEMBLY LEFT UPPER HINGE	ASS. CERN. SUP. SX PORTA AUTOCHIUD. 1100		
14	CR0901690	1	UPPER CABINET CROSSBAR	TRAVERSA SUPERIORE BASE VANO M160 BARON		
15	CR1027670	3	UPPER CABINET REINFORCEMENT	RINFORZO SUPERIORE PER BASE 700 BARON		
16	CR0901710	1	REAR CABINET PANEL	SCHIENALE BASE VANO M160 BARON		

Table_C

POS.	CODE/CODICE	PIECES	DESCRIPTION	DESCRIZIONE	DATA	C
1	MA6086113	4	ASSEMBLY FEET /1"3/4	ASS.PIEDINO /1"3/4 INOX FLANG.H150		
2	CR0909950	1	OVEN BOTTOM PANEL	FONDO BASE FORNO M160 700 BARON		
3	CR1177940	1	BOTTOM OVEN DASHBOARD	CRUSCOTTO INFERIORE FORNO M160 BARON B18		
4	CR1314410	1	LEFT ASSEMBLY SIDE PANEL	ASS.FIANCO SX FORNO MONOB.700 BARON B18		
5	BN41826140220	2	ASSEMBLY OVEN CHIMNEY	ASS. CAMINO FORNO GAS 700		
6	CR1314400	1	RIGHT ASSEMBLY SIDE PANEL	ASS.FIANCO DX FORNO MONOB.700 BARON B18		
7	BN821210860	1	UPPER OVEN CROSSBAR	TRAV. SUPERIORE FORNO 160 98/04		
8	BN41821210870	1	REAR UPPER OVEN CROSSBAR	TRAVERSA SUP. POST. FORNO 700 1600		

Table_D

POS.	CODE/CODICE	PIECES	DESCRIPTION	DESCRIZIONE	DATA	C
1	CR0909850	1	OVEN BOTTOM PANEL	FONDO BASE FORNO M80 700 BARON		
2	BN6A035910	1	LEFT OVEN DOOR HINGE	CERNIERA PORTA FORNO SX 45010952		
	BN6A035920	1	RIGHT OVEN DOOR HINGE	CERNIERA PORTA FORNO DX 45015851		
3	CR1177930	1	OVEN BOTTOM DASHBOARD	CRUSCOTTO INFERIORE FORNO M80 BARON B18		
4	CR1177460	1	ASSEMBLY OVEN DOOR	PORTA MONTATA FORNO BARON B18		
5	BN41821300150	2	OVEN GRID SUPPORT	SUPPORTO GRIGLIA FORNO 700		
6	CR1020960	1	CABLE PRESS	PRESSACAVO OBO V-TEC PG21 LGR 2024764		
7	CR1020970	1	CABLE PRESS NUT	CONTRODADO OBO 116 VDE PG21 PA 2048221		
8	MA6086113	4	ASSEMBLY FEET	ASS.PIEDINO /1"3/4 INOX FLANG.H150		
9	CR1177770	1	TOP DASHBOARD	CRUSCOTTO PCF/G M80 BARON B18		
10	CR1176810	1	OVEN DOOR HANDLE	ASS. MANIGLIA PORTA FORNO BARON B18		
11	BN6A035010	3	GREY TERMINAL	MORSETTO PASS.10 CBD10		
	BN6A035020	1	BLUE TERMINAL	MORSETTO PASS.10 BLU CBD10 (EX)I10		
	BN6A035030	1	GROUND TERMINAL	MORSETTO TERRA TE10/O CABURTO500		
	BN6A035070	1	LOCK TERMINAL	BLOCCHETTO TERMIN. BTO		
12	BN826620041	4	HEATING ELEMENT 1,5KW	RES.1500W 230V F90/04 1GIK1H979002		*
13	CR1314410	1	LEFT OVEN SIDE PANEL	ASS.FIANCO SX FORNO MONOB.700 BARON B18		
14	CR0901710	1	REAR PANEL	SCHIENALE BASE VANO M160 BARON		
15	BN826140810	1	OVEN BREATHER	ASS. SFIATO CAMERA FORNO EL 70BARON		
16	BN6A046001	1	THERMOSTAT SWITCH	COMMUT. PER TERM. 3F F 4941015500		*
17	BN41821210200	1	OVEN REAR CROSSBAR	TRAVERSA SUP. POST. FORNO 700		
18	BN821210040	1	OVEN FRONTAL CROSSBAR	TRAV. SUP. ANTER. FORNO 90/04		
19	CR1314400	1	RIGHT OVEN SIDE PANEL	ASS.FIANCO DX FORNO MONOB.700 BARON B18		
20	CR1177910	1	ELETRIC OVEN DASHBOARD	ASSIEME CRUSCOTTO FORNO ELE. BARON B18		
21	CR1176490	1	OVEN THERMOSTAT KNOB	MANOPOLA ELET.50-300 D65 CH.6 CROMAT.B18		
22	CR1176500	1	OVEN SWITCH KNOB	MANOPOLA FE 4P 0-1-2-3 D65 CH.6 CROM.B18		
23	MA1309000	1	SWITCH	COMMUTATORE EGO - 4934615701 -		*
24	BN826630130	1	SAFETY THERMOSTAT	TERMOS. SIC. 360 3F 5532562806		*
25	BN826630123	1	THERMOSTAT 50-300	TERMOS. 50-300 3F 5534052807		*
26	CR0903610	1	GREEN LIGHT	SPIAVERDE C.GUARNIZIONE 3SESX31B11E3E000		*
	CR0587500	1	ORANGE LIGHT	SPIA ARANCIO C.GUARNIZ.3SESX31B11E2H000		*
27	MA1304500	2	HINGE ROLLER HOLDER	STAFFA PORTARULLINO 45508410		
28	BN41821410191	1	OVEN INTERNAL PANEL	SUOLA FORNO 700		
29	BN6A047031	1	CONTACTOR 20A	MINICONTAT.20A MC1 A301AT6 G.EL		*
30	BN41826330030	1	OVEN GRID	BN-GRIGLIA FORNO 700		

* >>> Ricambio consigliato

>>> Accessorio

QUEEN7

GAS RANGES / CUCINE A GAS

Table_E

POS.	CODE/CODICE	PIECES	DESCRIPTION	DESCRIZIONE	DATA	C
1	CR1314410	1	LEFT ASSEMBLY SIDE PANEL	ASS.FIANCO SX FORNO MONOB.700 BARON B18		
2	CR0901710	1	REAR CABINET PANEL	SCHIENALE BASE VANO M160 BARON		
3	BN41826140220	1	ASSEMBLY CHIMNEY	ASS. CAMINO FORNO GAS 700		
4	CR0903140	1	ASSEMBLY BOTTOM GAS RAMP	ASS. COND. ENTRATA GAS FORNO BARON		
5	CR1314400	1	RIGHT ASSEMBLY SIDE PANEL	ASS.FIANCO DX FORNO MONOB.700 BARON B18		
6	BN41821210200	1	REAR OVEN CROSSBAR	TRAVERSA SUP. POST. FORNO 700		
7	BN821210040	1	FRONTAL OVEN CROSSBAR	TRAV. SUP. ANTER. FORNO 90/04		
8	BN2547780	1	OVEN VALVE SUPPORT	SQ. SUPP. VALVOLA FORNO 90/04		
9	CR0585671	1	OVEN GAS VALVE	VALVOLA 630 100-340 °C SIT0630349		*
10	CR1177880	1	ASSEMBLY OVEN DASHBOARD	ASSIEME CRUSCOTTO FORNO GAS BARON B18		
11	CR1176480	1	OVEN GAS KNOB	MANOPOLA FORNO GAS D65 CH.8 CROMAT. B18		
12	BN861310850	1	ASSEMBLY OVEN IGNITER	ACCENS.PIEZO+CAPPUCCIO+ROND. 90/04		*
13	CR0900680	1	KNOB JUNCTION	BN-NEW ATTACCO MANOP. FG+FTG70/02+FG BA		
14	BN2541120	1	BULB HOLDER	PORTA BULBO FORNI GAS		
15	BN2514615	1	VALVE/RAMP PIPE	COND. VALV/RAMPA FORNO 90/04 *KB**		
16	BN822450170	3	JUNCTION 3/8" D.10	BN-RACCORDO 3/8" TUBO DIAM.10 90/04		
17	CR1177770	1	TOP DASHBOARD	CRUSCOTTO PCF/G M80 BARON B18		
18	CR1177930	1	BOTTOM DASHBOARD	CRUSCOTTO INFERIORE FORNO M80 BARON B18		
19	CR0909850	1	BOTTOM PANEL	FONDO BASE FORNO M80 700 BARON		
20	BN41821490140	1	FLAME PROTECTION	PARAFIAMMA FORNO 700		
21	MA6086113	4	ASSEMBLY FEET	ASS.PIEDINO /1"3/4 INOX FLANG.H150		
22	BN823560060	1	VALVE/BURNER PIPE D.10	BN-COND.10 VALV/BRUCIAT. FORNO 90/04		
23	BN41826390050	1	ASSEMBLY BURNER	BN-ASS. BRUC FORNO 700 103197400		
24	BN826920070	1	PILOT TARGET	PILOTA TARGET S.90/04 0140018		*
25	TAB. L	1	PILOT NOZZLE	UGELLO PILOTA FORNO		
26	MA1916000	1	THERMOCOUPLE	TERMOCOPPIA M9X1 L=850 SIT 0290018		*
27	BN823560070	1	VALVE/PILOT PIPE D.4	BN-COND. 4 VALV/PILOTA FORNO 90/04		
27a	MA1394700	1	PILOT JUNCTION /4	USCITA PILOTA RACC./4 SIT 0958030		
28	BN2510698	1	ASSEMBLY IGNITER CABLES	BN-ASS.CAV.ACC.FTG CTG CBG 70/02 90/04		
29	BN6A013301		ELECTRODE M2,4	BN-CANDELA M2,4 TARGET 90-04 0915025		*
30	MA1888400		ELECTRODE JUNCTION	RACCORDO FISS.CANDELA SIT 0974037		
31	TAB. I	1	OVEN BURNER NOZZLE	UGELLO BRUCIATORE FORNO		
32	BN822180010	1	NUT M15X1	DADO M15x1 90/04		
33	BN822450010	1	CORNER JUNCTION M16X1.5	BN-RACC. AD ANGOLO M-M M16x1.5 90/04		
34	MA1888100	1	PILOT BICONE /4	BICONO /4 X PIL. 0.140 SIT 0957009		
35	MA673500	1	NUT M10X1/4	DADO M10 x 1/4		

Table_F

POS.	CODICE	PEZZI	DESCRIPTION	DESCRIZIONE	DATA
33	BN822140170	1	BURNER NOZZLE 1.35 FUOCO 3,5kW	BN-UG. BA 1.35 FUOCO 3,5kW	G20 20mbar
33	BN822140580	1	BURNER NOZZLE 1.95 FUOCO 7 kW	BN-UG. BA 1.95 FUOCO 7 kW	G20 20mbar
33	BN41822140420	1	BURNER NOZZLE 1.50 FUOCO 3,5kW	BN-UG. BA 1.50 FUOCO 3,5kW	G25 20mbar
33	BN822140600	1	BURNER NOZZLE 2.15 FUOCO 7 kW	UG. BA 2.15 FUOCO 7 kW	G25 20mbar
33	BN41822140180	1	BURNER NOZZLE 1.40 FUOCO 3,5kW	BN-UG. BA 1.40 FUOCO 3,5kW	G25.3 25mbar
33	BN822140290	1	BURNER NOZZLE 2.05 FUOCO 7 kW	UG. BA 2.05 FUOCO 7 kW	G25.3 25mbar
33	BN41822140620	1	BURNER NOZZLE 0.90 FUOCO 3,5kW	BN-UG. BA 0.90 FUOCO 3,5kW	G30/31 28/30mbar
33	BN822140030	1	BURNER NOZZLE 1.30 FUOCO 7 kW	BN-UG. BA 1.30 FUOCO 7 kW	G30/31 28/30mbar
33	BN822140270	1	BURNER NOZZLE 0.80 FUOCO 3,5kW	BN-UG. BA 0.80 FUOCO 3,5kW	G30/31 50mbar
33	BN822140280	1	BURNER NOZZLE FUOCO 7 kW	BN-UG. BA 1.15 FUOCO 7 kW	G30/31 50mbar

Table_G

POS.	CODICE	PEZZI	DESCRIPTION	DESCRIZIONE	DATA
43	BN6A013230	2	PILOT NOZZLE G27.2	UG. METANO 27 (PIL.526F+470F) G27.2	G20 20mbar
43	BN6A013230	2	PILOT NOZZLE G27.2	UG. METANO 27 (PIL.526F+470F) G27.2	G25 20mbar
43	BN6A013230	2	PILOT NOZZLE G27.2	UG. METANO 27 (PIL.526F+470F) G27.2	G25 25mbar
43	BN6A013240	2	PILOT NOZZLE G16.2	UG. G.P.L. 16 (PIL.526F+470F) G16.2	G30/31 27/28/30mbar
43	BN6A013240	2	PILOT NOZZLE G16.2	UG. G.P.L. 16 (PIL.526F+470F) G16.2	G30/31 50mbar

* >>> Ricambio consigliato

>>> Accessorio

QUEEN7
GAS RANGES / CUCINE A GAS

Table_H

POS.	CODICE	PEZZI	DESCRIPTION	DESCRIZIONE	DATA
12a	BN822450240	1	BY-PASS DIAM. 80 FUOCO 3,5kW	BY-PASS DIAM. 80 FUOCO 3,5kW	G20 20mbar
12a	BN822450280	1	BY-PASS DIAM. 120 FUOCO 7kW	BY-PASS DIAM. 120 FUOCO 7kW	G20 20mbar
12a	BN822450260	1	BY-PASS DIAM. 90 FUOCO 3,5kW	BY-PASS DIAM. 90 FUOCO 3,5kW	G25 20mbar
12a	BN822450300	1	BY-PASS DIAM. 135 FUOCO 7kW	BY-PASS DIAM. 135 FUOCO 7kW	G25 20mbar
12a	MA1889000	1	BY-PASS DIAM. 0,85 FUOCO 3,5kW	VITE MINIMO 0,85 FUOCO 3,5kW	G25.3 25mbar
12a	MA1889200	1	BY-PASS DIAM. 1,30 FUOCO 7kW	VITE MINIMO 1,30 FUOCO 7kW	G25.3 25mbar
12a	MA1033720000	1	BY-PASS DIAM. 0,55 FUOCO 3,5kW	VITE MINIMO 0,55 FUOCO 3,5kW	G30/31 28/30mbar
12a	BN822450240	1	BY-PASS DIAM. 80 FUOCO 7kW	BY-PASS DIAM. 80 FUOCO 7kW	G30/31 28/30mbar
12a	BN6A023722	1	BY-PASS DIAM. 45 FUOCO 3,5kW	BY-PASS DIAM. 45 FUOCO 3,5kW	G30/31 50mbar
12a	BN6A023723	1	BY-PASS DIAM. 65 FUOCO 7kW	BY-PASS DIAM. 65 FUOCO 7kW	G30/31 50mbar

Table_I

POS.	CODICE	PEZZI	DESCRIPTION	DESCRIZIONE	DATA
31	BN41822140050	1	OVEN NOZZLE 1.90	BN-UG. BA 1.90	G20 20mbar
31	BN41822140060	1	OVEN NOZZLE 2.10	UG. BA 2.10	G25 20mbar
31	BN41822140050	1	OVEN NOZZLE 1.90	BN-UG. BA 1.90	G25.3 25mbar
31	BN41822140020	1	OVEN NOZZLE 1.25	BN-UG. BA 1.25	G30/31 28/30mbar
31	BN41822140010	1	OVEN NOZZLE 1.10	BN-UG. BA 1.10	G30/31 50mbar

Table_L

POS.	CODICE	PEZZI	DESCRIPTION	DESCRIZIONE	DATA
25	MA1887800	1	OVEN PILOT NOZZLE /27	UGELLO PILOTA /27	G20 20mbar
25	MA1887800	1	OVEN PILOT NOZZLE /27	UGELLO PILOTA /27	G25 20mbar
25	MA1887800	1	OVEN PILOT NOZZLE /27	UGELLO PILOTA /27	G25.3 25mbar
25	BN822140380	1	OVEN PILOT NOZZLE /19	UGELLO PIL.TARGET GPL N.19 0977092	G30/31 28/30mbar
25	BN822140380	1	OVEN PILOT NOZZLE /19	UGELLO PIL.TARGET GPL N.19 0977092	G30/31 50mbar

* >>> Ricambio consigliato

>>> Accessorio

EDITION 11 2018

CR1012269 - CR1012409 - CR1012549 - CR1012559 Q70PC-PCV/G1606
CR1012279 - CR1012429 - CR1012569 - CR1012579 Q70PC-PCV/G1616