

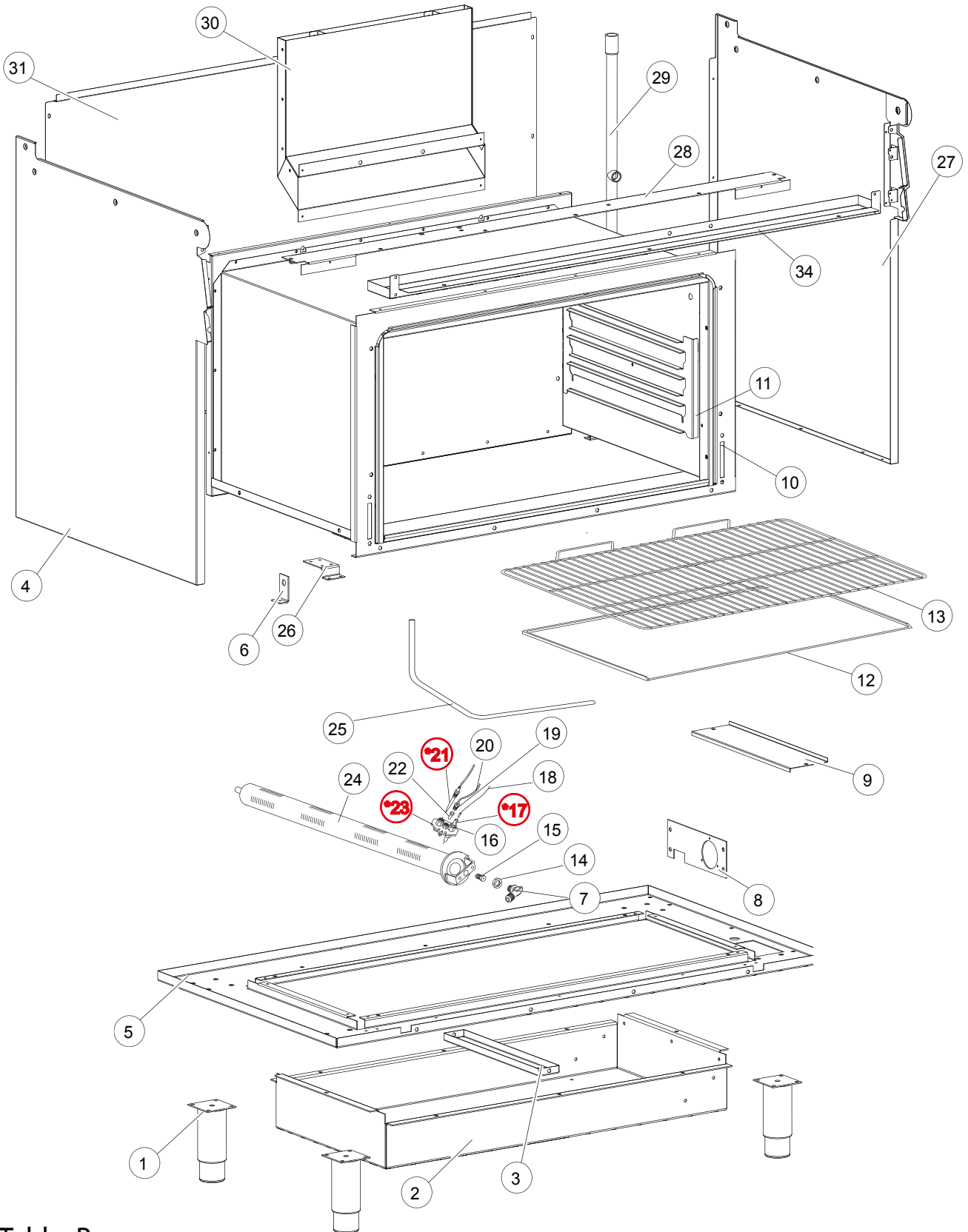
Table_A

EDITION 02 2019

* >>> Ricambio consigliato/raccomended part
#>>> Accessorio/accessory

CR1012529 Q70PCFL/G1206

CR1012539 Q70PCFL/G1216

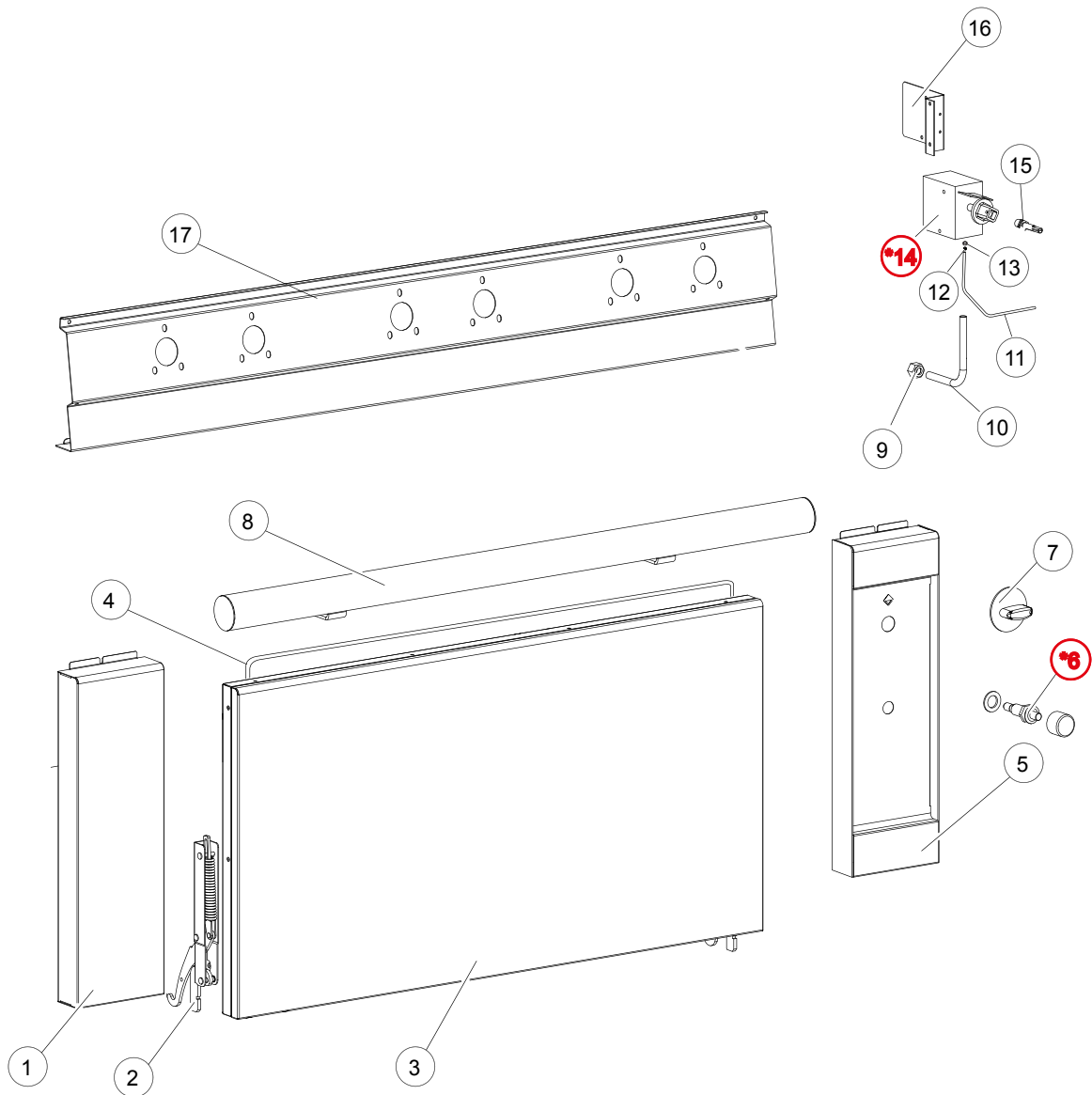


Table_B



baron

QUEEN7
GAS RANGES / CUCINE A GAS



Table_C

EDITION 02 2019

* >>> Ricambio consigliato/raccomended part
>>> Accessorio/accessory

CR1012529 Q70PCFL/G1206

CR1012539 Q70PCFL/G1216

QUEEN7
GAS RANGES / CUCINE A GAS

Table_A

POS.	CODE/CODICE	PIECES	DESCRIPTION	DESCRIZIONE	DATA	R.C.
1	CR1176140R	6	GAS KNOB	MANOPOLA ALBERINO D.8 CROMATA BARON B18		
2	CR1176250	3	FRONTAL KNOB DISC	DISCO PLACCA D76.5 CUC.GAS.ANT.BARON B18		
	CR1176260	3	REAR KNOB DISC	DISCO PLACCA D76.5 CUC.GAS.POS.BARON B18		
3	CR1176160	6	UNDER KNOB	PLACCA CROMATA MANOPOLA BARON B18		
4	CR1176910	1	ASSEMBLY OVEN DOOR HANDLE	ASS.MANIGLIA PORTA FORNO LARGO BARON B18		
5	MA1326500	6	NUT M16X1,5	DADO PREMIOGIVA M16X1,5		
6	MA86720	6	BICONE /10	BICONO /10 SIT 0957004		
7	CR0580450	6	GAS TAP 21S	RUBINETTO GAS PEL 21S/0,90 -ART. 777120		
8	TAB. F	6	TAP BY-PASS	BY-PASS RUBINETTO		
9	MA673600	6	PILOT BICONE /4	BICONO /4 S		
10	MA673500	6	PILOT NUT /4	DADO M10 x 1/4		
11	CR1020030	1	ASSEMBLY GAS RAMP	ASS. RAMPA PC/G M120 700 BARON		
12	BN823561700	3	REAR PILOT GAS PIPE	BN-CONDUTT.POSTER.PILOTA N7PC/G NEW*kb		
	BN823561710	3	FRONTAL PILOT GAS PIPE	BN-CONDUTT.ANTERI.PILOTA N7PC/G NEW*kb		
13	CR0909980	3	FRONTAL BURNER GAS PIPE	CONDUT. ANT.RUBIN.-BRUC. N7PC/G NEW70/13		*
14	BN822160031	6	NOZZLE HOLDER JUNCTION	RACCORDO PER PORTA UGELLO		
15	BN822410012	2	VENTURI 3,5kW	BN-VENTURI PICCOLO BARON		
	BN822410022	2	VENTURI 5,6kW	BN-VENTURI MEDIO BARON		
	BN822410032	2	VENTURI 7kW	BN-VENTURI GRANDE		
16	TAB. D	6	BURNER NOZZLE	UGELLO BRUCIATORE		
17	BN822160022	6	NOZZLE HOLDER	PORTA UGELLO NPC/G		
18	CR0909990	3	REAR BURNER GAS PIPE	CONDUT.POST.RUBIN.-BRUC. N7PC/G NEW70/13		
19	CR1020100	1	ASSEMBLY GAS RAMP BRACKET	SQ. FISSA RAMP FL 700 BARON		
20	CR1177830	1	TOP DASHBOARD	CRUSCOTTO PCFL/G M120 BARON B18		
21	CR1317840	1	ASSEMBLY TOP PLATE	ASS. PIANO Q70PC/G1201 6F 70 BARON B18		
	CR1317850	1	ASS. TOP PLATE WITH DRAIN WATER	ASS. PIANO Q70PC/G1211 6F SC.LIQ.70 B18		
22	BN822410650	2	BURNER BODY 3,5kW	BN-CORPO NEW BRUCIATORE PICCOLO BARON		
23	BN822410071	2	FLAME SPREADER 3,5kW	BN-SPARTIFIAMMA PICCOLO BARON		
24	BN822410680	6	CAST IRON GRID	BN-GRIGLIA PIANO SMALTATA NEW 70 BARON		
25	CR1176580	3	CHIMNEY GRID	GRIGLIA SC/FUMI GHISA M40 BARON B18		
26	BN822410081	2	FLAME SPREADER 5,7kW	BN-SPARTIFIAMMA MEDIO BARON		
27	BN822410660	2	BURNER BODY 5,7kW	BN-CORPO NEW BRUCIATORE MEDIO BARON		
28	BN822410091	2	FLAME SPREADER 7 KW	BN-SPARTIFIAMMA GRANDE BARON		
29	BN822410670	2	BURNER BODY 7 KW	BN-CORPO NEW BRUCIATORE GRANDE BARON		
30	BN826350260	6	PILOT PROTECTION	BN-ASS.TUBO PROTEZIONE PILOTA 7-9PCG*kb		
31	BN822160580	6	ASSEMBLY NEW PILOT	BN-ASS. NUOVO PILOTA FUOCHI CUCINE BARON		
32	BN825110520	6	PILOT BURNER GASKET	BN-GUARNIZIONE BLOCCO PILOTA 7-9PCG NEW		
33	BN821122530	6	PILOT BURNER PLATE	BN-PIASTR. P/PILOTA GRANDE NEW BARON 70		
34	BN825110530	6	PILOT GASKET	BN-GUARNIZIONE FINESTRA PILOTA 7-9PCG NE		
35	BN822160590	6	PILOT NOZZLE HOLDER	BN-PORTAUG. NUOVO PILOTA FUOCHI CUC.BARO		
36	MA1916000	6	THERMOCOUPLE	TERMOCOPPIA M9X1 L=850 SIT 0290018		
37	TAB. E	6	PILOT NOZZLE	UGELLO PILOTA		
38	MA1891700	6	THERMOCOUPLE JUNCTION	RACCORDO X TERMOCOPPIA SIT 0974036		
39	BN6A016900	6	PILOT BICONE 470F	BICONO DIAM. 4 200/3.336 PIL.470F		*
40	BN6A017000	6	PILOT NUT 470F	DADO X BIC. D.4 200/3.335 PIL.470F		
41	CR1265630	3	BOTTOM DASHBOARD SPACER	DISTANZIALE CRUSCOTTI BARON B18		
42	CR0585560	4	UPPER DASHBOARD SPACER	DISTANZIALE PER CRUSCOTTO		
#43	SI8209970	1	PROTECTION IGNITER	PROTEZIONE ACCENDITORE BZX 2/1,5 T ANSTO		*
#44	SI8206280	1	IGNITER BZX	ACCENDITORE BZX 2/1.5 T - ANSTOSS		
#45	CR0687080	6	ELECTRODE	ELETTRODO ACCENSIONE POLIDORO 031001300		
#46	MA1888400	6	ELECTRODE JUNCTION	RACCORDO FISS.CANDELA SIT 0974037		
#47	BN826690810	3	ELECTRODE CABLE L=1100	ASS. CAVO CANDELA ACCENS. NEW L=1100		
#47a	BN826690820	3	ELECTRODE CABLE L=600	ASS. CAVO CANDELA ACCENS. NEW L=600		
#48	BN822160101	1	TOP PLATE DRAIN OVERFULL	BN-PILETTA DI SCARICO PIANI AUTOPUL.		
#49	BN824710280	6	OVERFULL O-RING	GUARNIZ. OR 3068 D.I.17,13 SP.2,62		
#50	BN826350230	1	DRAIN PIPE LIQUIDS	CONDUTT. SCARICO LIQUIDI 1/2M 70-90		
#51	BN824510020	1	BN-TUBO ACQUA CALDA 3 BAR 28x36	BN-TUBO ACQUA CALDA 3 BAR 28x36		
#52	BN826900440	1	INOX CABLE TIE	FASCETTA INOX 25-40		

* >>> Ricambio consigliato

>>> Accessorio

QUEEN7
GAS RANGES / CUCINE A GAS

Table_B

POS.	CODE/CODICE	PIECES	DESCRIPTION	DESCRIZIONE	DATA	C
1	MA6086113	4	ASSEMBLY FEET /1"3/4	ASS.PIEDINO /1"3/4 INOX FLANG.H150		
2	BN2540450	1	ASSEMBLY BOTTOM OVEN	ASS. PADELLA CUCINA FORNO FL 70/02		
3	BN2540430	1	OVEN DRAINER	SGOCCIOL. CUCINA FORNO FL 70/02		
4	CR1317960	1	LEFT EXTERNAL SIDE PANEL	ASS. FIANCO SX FORNO FL 70 BARON B18		
5	CR1020060	1	EXTERNAL BOTTOM PANEL	FONDO BASE FORNO FL GAS M120 700 BARON		
6	CR1020100	1	GAS RAMP BRACKET	SQ. FISSA RAMP A FL 700 BARON		
7	BN6A014708	1	CORNER JUNCTION	RACC. AD ANGOLO M-M 20X1.5 15X1		
8	BN2532983	1	BURNER HOLDER PANEL	MASCHERA PORTABRUCIAT. FL 76/02		
9	BN2532472	1	NOZZLE COVER PROTECTION	COPERTURA PROTEZ. UGELLO FL 76/02		
10	MA1304500	2	OVEN HINGE BRACKET	STAFFA PORTARULLINO 45508410		
11	BN2540290	2	OVEN GRID SUPPORT	SUPPORTO GRIGLIA FORNO FL 70/02		
12	BN41P1300018	1	INTERNAL OVEN BOTTOM PANEL	SUOLA FORNO FL 120 76/02 - VAR AISI 430		
13	BN2510800	1	OVEN GRID	BN-GRIGLIA CROMATA FL 120 76/02		
14	BN6A010820	1	LOCK NUT M15X1	CONTRODADO M 15 X 1 351052		
15	TAB. G	1	BURNER NOZZLE	UGELLO BRUCIATORE		
16	MA1888400	1	ELECTRODE JUNCTION	RACCORDO FISS.CANDELA SIT 0974037		
17	BN6A013302	1	OVEN ELECTRODE M2,4	BN-CANDELA M 2,4 FORNO S70 2S 0915035		*
18	BN6A041410	1	ELECTRODE CABLE	CAVO PER CANDELA L =1500 MM		
19	MA1394700	1	PILOT JUNCTION /4	USCITA PILOTA RACC./4 SIT 0958030		
20	BN823561580	1	VALVE/PILOT OVEN PIPE	COND. 4 VAL/PIL. FORNO FL BARON 70		
21	BN6A011800	1	THERMOCOUPLE	TERMOCOPPIA 1096/1500 0200021		*
22	TAB. H	1	PILOT NOZZLE	UGELLO PILOTA		
23	BN6A013220	1	PILOT BODY 526	PILOTA 526 C/RACC. FORNO 70-02		*
24	BN2510697	1	BURNER BODY 303	BN-BRUCIATORE 303/12A FORN.70-02 90-04		
25	BN823561570	1	VALVE/BURNER OVEN PIPE	COND.12 VAL/BRUC. FORNO FL BARON 70		
26	CR1020550	4	OVEN BOTTOM REINFORC. BRACKET	SQ.RINF.FONDO FL GAS M120 700 BARON		
27	CR1317950	1	RIGHT EXTERNAL SIDE PANEL	ASS. FIANCO DX FORNO FL 70 BARON B18		
28	BN41821211670	1	FRONTAL UPPER CROSSBAR	TRAV. SUPER. ANTERI. CUCINA FL 70		
29	CR0903140	1	ASSEMBLY SUPPLY GAS PIPE	ASS. COND. ENTRATA GAS FORNO BARON		
30	BN2540130	1	ASSEMBLY INTERNAL CHIMNEY	ASS. CAMINO ALLUM. FL BARON 70/02		
31	CR1020150	1	EXTERNAL PANEL	SCHIENALE BASE FL M120 700 BARON		

Table_C

POS.	CODE/CODICE	PIECES	DESCRIPTION	DESCRIZIONE	DATA	C
1	CR1317910	1	LEFT VERTICAL DASHBOARD	CRUSCOTTO VERTICALE SX CUCINA FL 70 B18		
2	BN6A035910	1	LEFT OVEN HINGE	CERNIERA PORTA FORNO SX 45010952		
	BN6A035920	1	RIGHT OVEN HINGE	CERNIERA PORTA FORNO DX 45015851		
3	CR1177470	1	ASSEMBLY OVEN DOOR	PORTA MONTATA FORNO FL 700 BARON B18		
4	BN2510674	1	OVEN DOOR GASKET	BN-GUARNIZ.THERMIC 60/T SLS FORNO70/02		*
5	CR1317920	1	RIGHT VERTICAL DASHBOARD	ASS. CRUSCOTTO VERTIC.DX FL 70 BARON B18		
6	BN861310850	1	ASSEMBLY IGNITER	ACCENS.PIEZO+CAPPUCCIO+ROND. 90/04		*
7	CR1176480	1	OVEN KNOB	MANOPOLA FORNO GAS D65 CH.8 CROMAT. B18		
8	CR1176910	1	ASSEMBLY OVEN DOOR HANDLE	ASS.MANIGLIA PORTA FORNO LARGO BARON B18		
9	BN822450170	1	JUNCTION 3/8"	BN-RACCORDO 3/8" TUBO DIAM.10 90/04		
	MA1888200	1	PLUG 3/8"	TAPPO TENUTA 3/8" SIT 0972061		
10	BN2514615	1	VALVE/RAMP GAS PIPE	COND. VALV/RAMPA FORNO 90/04 *KB**		
11	BN823561580	1	VALVE/PILOT GAS PIPE	COND. 4 VAL/PIL. FORNO FL BARON 70		
12	MA673600	2	BICONE /4	BICONO /4 S		
13	MA673500	2	NUT /4	DADO M10 x 1/4		
14	CR0585671	1	VALVE 630 100-340°	VALVOLA 630 100-340 ° C SIT0630349		*
15	CR0900680	1	NEW KNOB JUNCTION	BN-NEW ATTACCO MANOP. FG+FTG70/02+FG BA		
16	BN2547780	1	VALVE SUPPORT BRACKET	SQ. SUPP. VALVOLA FORNO 90/04		
17	CR1177830	1	TOP DASHBOARD	CRUSCOTTO PCFL/G M120 BARON B18		

* >>> Ricambio consigliato

>>> Accessorio

EDITION 02 2019

CR1012529 Q70PCFL/G1206
CR1012539 Q70PCFL/G1216

QUEEN7
GAS RANGES / CUCINE A GAS

Table_D

POS.	CODICE	PEZZI	DESCRIPTION	DESCRIZIONE	DATA
16	BN822140170	2	BURNER NOZZLE 1.35 FUOCO 3,5kW	BN-UG. BA 1.35 FUOCO 3,5kW	G20 20mbar
16	BN41822140640	2	BURNER NOZZLE 1.75 FUOCO 5,7kW	BN-UG. BA 1.75 FUOCO 5,7kW	G20 20mbar
16	BN822140580	2	BURNER NOZZLE 1.95 FUOCO 7 kW	BN-UG. BA 1.95 FUOCO 7 kW	G20 20mbar
16	BN41822140420	2	BURNER NOZZLE 1.50 FUOCO 3,5kW	BN-UG. BA 1.50 FUOCO 3,5kW	G25 20mbar
16	BN822140580	2	BURNER NOZZLE 1.95 FUOCO 5,7 kW	BN-UG. BA 1.95 FUOCO 5,7 kW	G25 20mbar
16	BN822140600	2	BURNER NOZZLE 2.15 FUOCO 7 kW	UG. BA 2.15 FUOCO 7 kW	G25 20mbar
16	BN41822140180	2	BURNER NOZZLE 1.40 FUOCO 3,5kW	BN-UG. BA 1.40 FUOCO 3,5kW	G25.3 25mbar
16	BN822140650	2	BURNER NOZZLE 1.85 FUOCO 5,7 kW	BN-UG. BA 1.85 FUOCO 5,7 kW	G25.3 25mbar
16	BN822140290	2	BURNER NOZZLE 2.05 FUOCO 7 kW	UG. BA 2.05 FUOCO 7 kW	G25.3 25mbar
16	BN41822140620	2	BURNER NOZZLE 0.90 FUOCO 3,5kW	BN-UG. BA 0.90 FUOCO 3,5kW	G30/31 28/30mbar
16	BN822140160	2	BURNER NOZZLE 1.20 FUOCO 5,7 kW	BN-UG. BA 1.20 FUOCO 5,7 kW	G30/31 28/30mbar
16	BN822140030	2	BURNER NOZZLE 1.30 FUOCO 7 kW	BN-UG. BA 1.30 FUOCO 7 kW	G30/31 28/30mbar
16	BN822140270	2	BURNER NOZZLE 0.80 FUOCO 3,5kW	BN-UG. BA 0.80 FUOCO 3,5kW	G30/31 50mbar
16	BN822140630	2	BURNER NOZZLE 1.00 FUOCO 5,7 kW	BN-UG. BA 1.00 FUOCO 5,7 kW	G30/31 50mbar
16	BN822140280	2	BURNER NOZZLE FUOCO 7 kW	BN-UG. BA 1.15 FUOCO 7 kW	G30/31 50mbar

Table_E

POS.	CODICE	PEZZI	DESCRIPTION	DESCRIZIONE	DATA
37	BN6A013230	2	PILOT NOZZLE G27.2	UG. METANO 27 (PIL.526F+470F) G27.2	G20 20mbar
37	BN6A013230	2	PILOT NOZZLE G27.2	UG. METANO 27 (PIL.526F+470F) G27.2	G25 20mbar
37	BN6A013230	2	PILOT NOZZLE G27.2	UG. METANO 27 (PIL.526F+470F) G27.2	G25 25mbar
37	BN6A013240	2	PILOT NOZZLE G16.2	UG. G.P.L. 16 (PIL.526F+470F) G16.2	G30/31 27/28/30mbar
37	BN6A013240	2	PILOT NOZZLE G16.2	UG. G.P.L. 16 (PIL.526F+470F) G16.2	G30/31 50mbar

Table_F

POS.	CODICE	PEZZI	DESCRIPTION	DESCRIZIONE	DATA
8	BN822450240	2	BY-PASS DIAM. 80 FUOCO 3,5kW	BY-PASS DIAM. 80 FUOCO 3,5kW	G20 20mbar
8	BN6A023724	2	BY-PASS DIAM. 115 FUOCO 5,7kW	BY-PASS DIAM. 115 FUOCO 5,7kW	G20 20mbar
8	BN822450280	2	BY-PASS DIAM. 120 FUOCO 7kW	BY-PASS DIAM. 120 FUOCO 7kW	G20 20mbar
8	BN822450260	2	BY-PASS DIAM. 90 FUOCO 3,5kW	BY-PASS DIAM. 90 FUOCO 3,5kW	G25 20mbar
8	MA1889200	2	BY-PASS DIAM. 130 FUOCO 5,7kW	BY-PASS DIAM. 130 FUOCO 5,7kW	G25 20mbar
8	BN822450300	2	BY-PASS DIAM. 135 FUOCO 7kW	BY-PASS DIAM. 135 FUOCO 7kW	G25 20mbar
8	MA1889000	2	BY-PASS DIAM. 0,85 FUOCO 3,5kW	VITE MINIMO 0,85 FUOCO 3,5kW	G25.3 25mbar
8	BN822450280	2	BY-PASS DIAM. 120 FUOCO 5,7kW	BY-PASS DIAM. 120 FUOCO 5,7kW	G25.3 25mbar
8	MA1889200	2	BY-PASS DIAM. 1,30 FUOCO 7kW	VITE MINIMO 1,30 FUOCO 7kW	G25.3 25mbar
8	MA1033720000	2	BY-PASS DIAM. 0,55 FUOCO 3,5kW	VITE MINIMO 0,55 FUOCO 3,5kW	G30/31 28/30mbar
8	BN822450230	2	BY-PASS DIAM. 75 FUOCO 5,7kW	BY-PASS DIAM. 75 FUOCO 5,7kW	G30/31 28/30mbar
8	BN822450240	2	BY-PASS DIAM. 80 FUOCO 7kW	BY-PASS DIAM. 80 FUOCO 7kW	G30/31 28/30mbar
8	BN6A023722	2	BY-PASS DIAM. 45 FUOCO 3,5kW	BY-PASS DIAM. 45 FUOCO 3,5kW	G30/31 50mbar
8	BN6A023723	2	BY-PASS DIAM. 65 FUOCO 5,7kW	BY-PASS DIAM. 65 FUOCO 5,7kW	G30/31 50mbar
8	BN6A023723	2	BY-PASS DIAM. 65 FUOCO 7kW	BY-PASS DIAM. 65 FUOCO 7kW	G30/31 50mbar

Table_G

POS.	CODICE	PEZZI	DESCRIPTION	DESCRIZIONE	DATA
31	BN2510383	1	OVEN NOZZLE 2.00	BN-UG. BA 2.00	G20 20mbar
31	BN2510384	1	OVEN NOZZLE 2.15	UG. BA 2.15	G25 20mbar
31	BN2510383	1	OVEN NOZZLE 2.00	BN-UG. BA 2.00	G25.3 25mbar
31	BN2510749	1	OVEN NOZZLE 1.45	BN-UG. BA 1.45	G30/31 28/30mbar
31	BN2510372	1	OVEN NOZZLE 1.25	BN-UG. BA 1.25	G30/31 50mbar

Table_H

POS.	CODICE	PEZZI	DESCRIPTION	DESCRIZIONE	DATA
25	MA1887800	1	OVEN PILOT NOZZLE /27	UGELLO PILOTA /27	G20 20mbar
25	MA1887800	1	OVEN PILOT NOZZLE /27	UGELLO PILOTA /27	G25 20mbar
25	MA1887800	1	OVEN PILOT NOZZLE /27	UGELLO PILOTA /27	G25.3 25mbar
25	BN822140380	1	OVEN PILOT NOZZLE /19	UGELLO PIL.TARGET GPL N.19 0977092	G30/31 28/30mbar
25	BN822140380	1	OVEN PILOT NOZZLE /19	UGELLO PIL.TARGET GPL N.19 0977092	G30/31 50mbar

* >>> Ricambio consigliato

>>> Accessorio