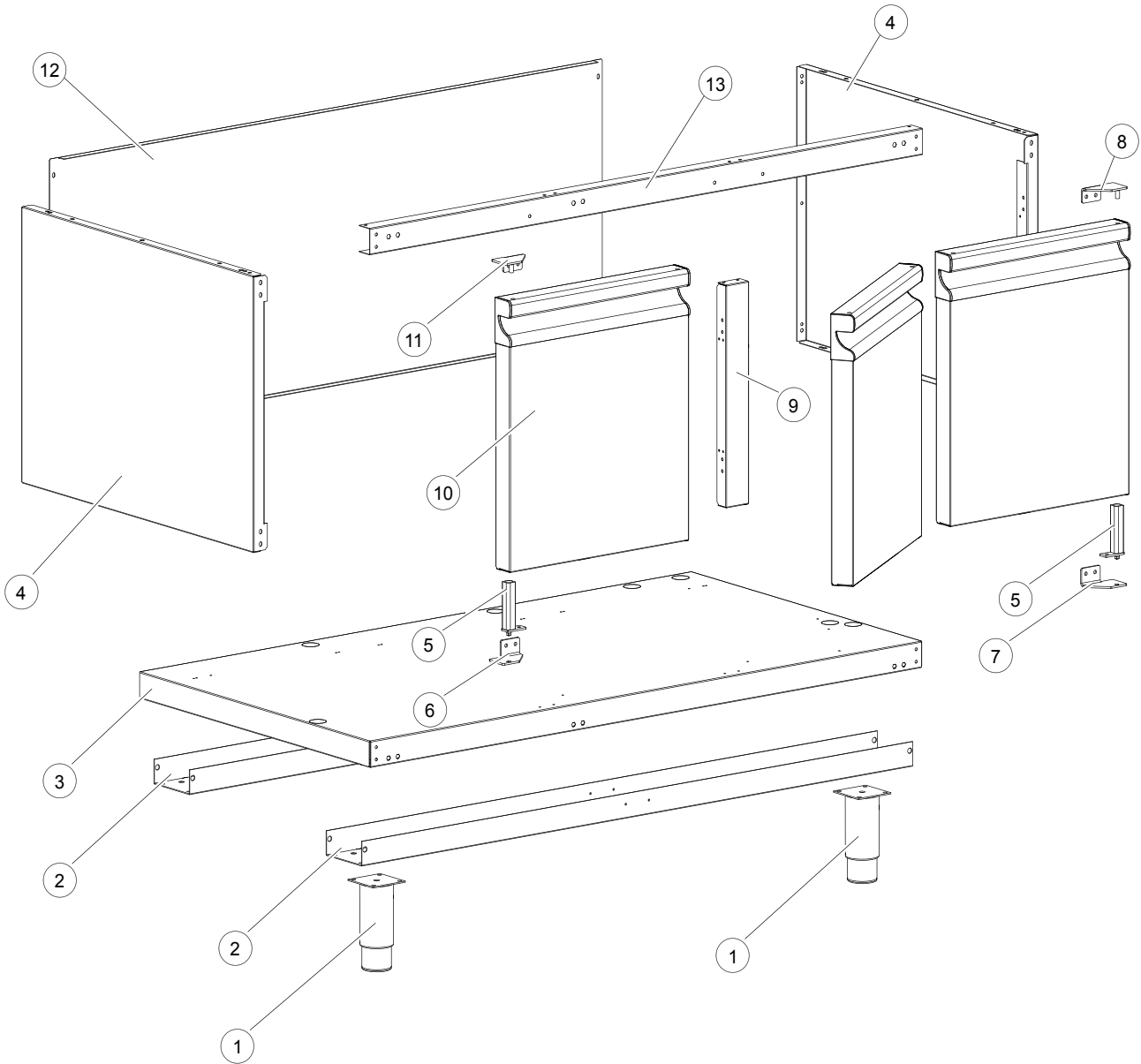


Table_A



Table_B

EDITION 03 2019

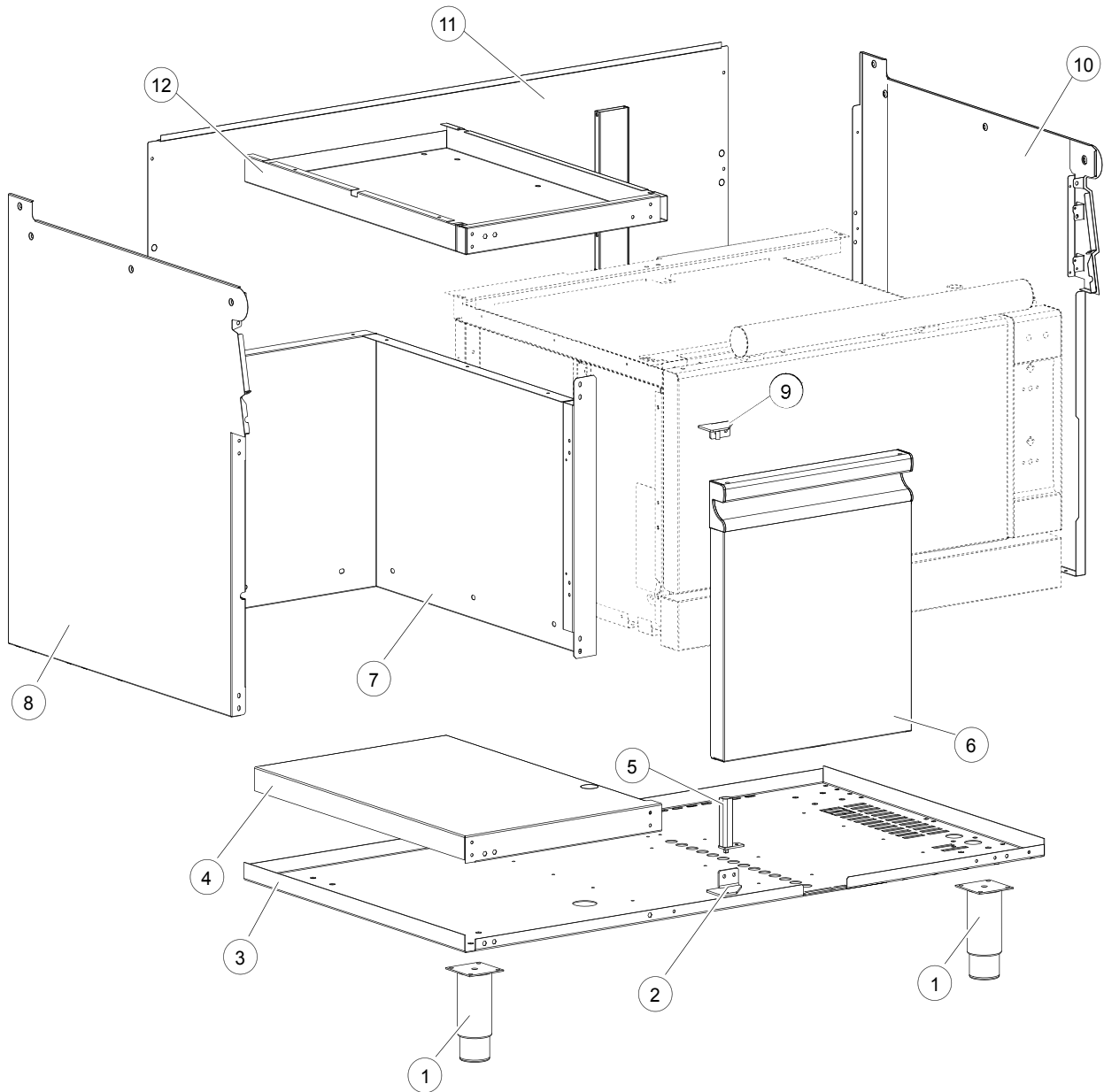
* >>> Ricambio consigliato/raccomended part
#>>> Accessorio/accessory

CR1012609 - CR1012659 - CR1012689 Q70CP_PCV_PCF/E120



baron

QUEEN7
ELECTRIC RANGES / CUCINE ELETTRICHE



Table_C

EDITION 03 2019

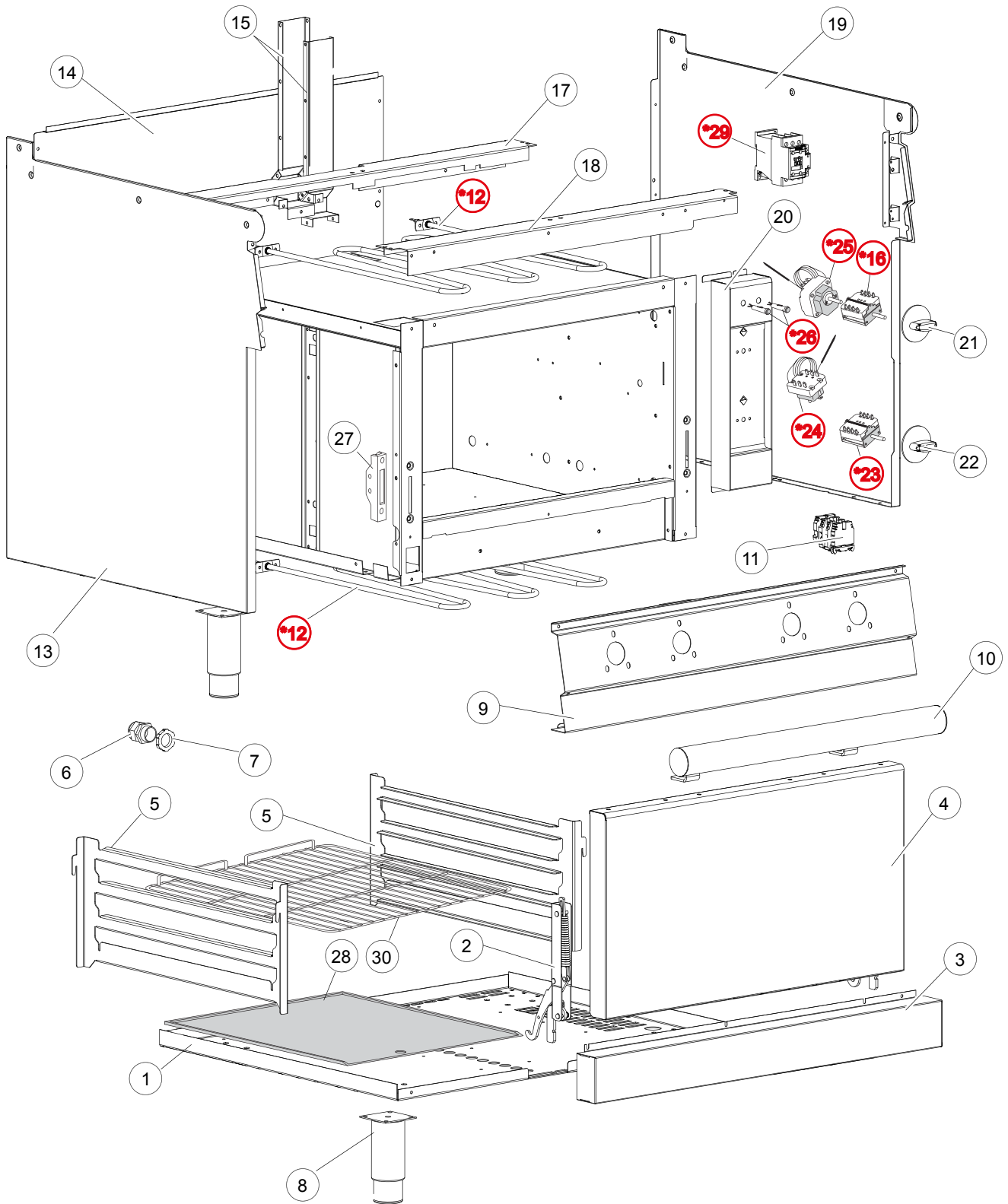
* >>> Ricambio consigliato/raccomended part
#>>> Accessorio/accessory

CR1012609 - CR1012659 - CR1012689 Q70CP_PCV_PCF/E120



baron

QUEEN7
ELECTRIC RANGES / CUCINE ELETTRICHE



Table_D

EDITION 03 2019

* >>> Ricambio consigliato/raccomended part
#>>> Accessorio/accessory

CR1012609 - CR1012659 - CR1012689 Q70CP_PCV_PCF/E120

QUEEN7
ELECTRIC RANGES / CUCINE ELETTRICHE

Table_A

POS.	CODE/CODICE	PIECES	DESCRIPTION	DESCRIZIONE	DATA	R.C.
1	CR1022480	1	BOTTOM REINFORCEMENT BRACKET	SQ. RINF. FONDO TUTTAP. M120 900 BARON		
2	CR1020020	1	BOTTOM PANEL	FONDO TOP CUC. GAS M120 700 BARON		
3	MA1878400	1	EQUIPOTENTIAL TERMINAL	MORSETTO A PETTINI BM5251 X EQUIPOTENZ.		
4	BN2540060	4	FEET SUPPORT	SUPPORTO PIEDINO APP. TOP 70/02		
5	MA1036500500	4	ADJUSTABLE FEET	PIEDE REGOLAB. 6 40 M8 PRP 114015		
6	CR1020960	1	CABLE PRESS	PRESSACAVO OBO V-TEC PG21 LGR 2024764		
7	CR1020970	1	CABLE PRESS NUT	CONTRODADO OBO 116 VDE PG21 PA 2048221		
8	CR1176810	1	ASSEMBLY OVEN HANDLE	ASS. MANIGLIA PORTA FORNO BARON B18		
9	CR1022820	1	BOTTOM REINFORCEMENT BRACKET	SQ.RINF.FONDO TUTTAPIAST. M120 700 BARON		
10	CR0587500	1	ORANGE LIGHT	SPIA ARANCIO C.GUARNIZ.3SESX31B11E2H000		*
11	CR1265630	2	UPPER DASHBOARD SPACER	DISTANZIALE CRUSCOTTI BARON B18		
12	CR0585560	4	BOTTOM DASHBOARD SPACER	DISTANZIALE PER CRUSCOTTO		
13	CR1316670	1	FRONTAL DASHBOARD	CRUSCOTTO PCF/E M120 BARON B18		
13a	CR0587640	1,7	DASHBOARD GASKET	PROFILO GUARNIZIONE CRUSCOTTI		
14	CR1021000	1	DASHBOARD PROTECTION	PROTEZIONE COMANDI CUCINE EL. M120 BARON		
15	CR0798720	1	ASSEMBLY CABLES	CABLAGGIO CUCINA TOP 700 M120 OLIS		
16	CR1265790	1	LEFT ASSEMBLY SIDE PANEL	ASS.FIANCO SX TOP 700 BARON B18		
17	CR1311300	1	ASSEMBLY TOP PLATE	ASS.PIANO Q70PC/E120 P/TONDE M120 70 B18		
18	CR0588170	1	TERMINAL BOARDS	MORSETTIERA NOVA KL116E 6 POLI 40A		
19	CR0902050	1	TERMINAL BOARDS SUPPORT	PPORTO MORSETTIERA MULTIPLA BARON		
20	CR1176130R	6	ASSEMBLY KNOB	MANOPOLA ALBERINO D.6 CROMATA BARON B18		
21	CR1176160	6	UNDER KNOB	PLACCA CROMATA MANOPOLA BARON B18		
22	CR1176440	2	FRONTAL KNOB DISC	DISCO PLACCA D76.5 CUC.ELE.ANT.BARON B18		
	CR1176450	2	REAR KNOB DISC	DISCO PLACCA D76.5 CUC.ELE.POS.BARON B18		
23	CR0587650	1	KNOB GASKET	GUARNIZIONE ALBERINO COMP.ELETTRICI		
24	MA1616100	1	ELECTRIC TOP PLATE SWITCH	COMMUTATORE PIASTRA EGO 4927215746		*
25	CR1265620	4	UNION BRACKET	STAFFA UNIONE ANT. APPARECCHIATURE B18		
26	CR1265780	1	RIGHT ASSEMBLY SIDE PANEL	ASS.FIANCO DX TOP 700 BARON B18		
27	CR0798050	2	TOP PLATE REINFORCEMENT	RINFORZO PIANO CUCINE EL.700 PT.M120OLI		
28	MA1832313	6	ELECTRIC TOP PLATE 2600W	PIASTRA D220 2600W 230V EGO18.22474.040		*
29	CR1311660	1	CHIMNEY PROTECTION	PROTEZIONE POST. CAMINO M120 B18		
30	CR1176580	3	CHIMNEY GRID	GRIGLIA SC/FUMI GHISA M40 BARON B18		
31	CR1023020	1	REAR EXTERNAL PANEL	SCHIENALE TOP M120 BARON		

Table_B

POS.	CODE/CODICE	PIECES	DESCRIPTION	DESCRIZIONE	DATA	C
1	MA6086113	4	ASSEMBLY FEET /1"3/4	ASS.PIEDINO /1"3/4 INOX FLANG.H150		
2	CR0584930	2	BOTTOM CROSSBAR	TRAVERSA INFERIORE VANO M120		
3	CR0909790	1	BOTTOM PANEL	RIPIANO INFERIORE VANO 700 M120 BARON		
4	CR0907020	2	EXTERNAL SIDE PANEL	FIANCO BASE VANO 700 BARON		
5	BN1412052	3	DOOR SPRING	CERNIERA INF PIVOT CT5000		
6	CR1024550	1	LEFT BOTTOM HINGE	CERN. INFER. SX PORTA AUTOCHIUDENTE 1100		
7	CR1024540	2	RIGHT BOTTOM HINGE	CERN. INFER. DX PORTA AUTOCHIUDENTE 1100		
8	CR1024560	2	ASSEMBLY RIGHT UPPER HINGE	ASS. CERN. SUP. DX PORTA AUTOCHIUD. 1100		
9	MACM021003	1	FRONTAL DOOR CROSSBAR	MONTANTE ANTERIORE VANO M80		
10	CR1177400	3	ASSEMBLY DOOR M40	PORTA MONTATA VANO M40 BARON B18		
11	CR1024570	1	ASSEMBLY LEFT UPPER HINGE	ASS. CERN. SUP. SX PORTA AUTOCHIUD. 1100		
12	CR0583800	1	REAR PANEL	SCHIENALE BASE VANO M120		
13	CR0901660	1	UPPER CROSSBAR	TRAVERSA SUPERIORE BASE VANO M120 BARON		

* >>> Ricambio consigliato

>>> Accessorio

QUEEN7
ELECTRIC RANGES / CUCINE ELETTRICHE

Table_C

POS.	CODE/CODICE	PIECES	DESCRIPTION	DESCRIZIONE	DATA	C
1	MA6086113	4	ASSEMBLY FEET /1"3/4	ASS.PIEDINO /1"3/4 INOX FLANG.H150		
2	CR1024550	1	LEFT BOTTOM HINGE	CERN. INFER. SX PORTA AUTOCHIUDENTE 1100		
3	CR0909930	1	OVEN EXTERNAL BOTTOM PANEL	FONDO BASE FORNO M120 700 BARON		
4	CR0909900	1	CABINET BOTTOM PANEL M120	FONDO ARMADIETTO CUCINA M120 700 BARON		
5	BN1412052	1	DOOR SPRING	CERNIERA INF PIVOT CT5000		
6	CR1177400	1	ASSEMBLY DOOR	PORTA MONTATA VANO M40 BARON B18		
7	CR0909910	1	RIGHT CABINET SIDE PANEL	FIANCO DX ARMAD. CUCINA M120 700 BARON		
8	CR1265810	1	ASSEMBLY LEFT PANEL	ASS.FIANCO SX MONOBL. 700 BARON B18		
9	CR1024570	1	ASSEMBLY LEFT UPPER HINGE	ASS. CERN. SUP. SX PORTA AUTOCHIUD. 1100		
10	CR1314400	1	ASSEMBLY RIGHT OVEN PANEL	ASS.FIANCO DX FORNO MONOB.700 BARON B18		
11	CR0730790	1	REAR PANEL M120	SCHIENALE MONOBLOCCO M120 700		
12	CR0909920	1	TOP CABINET PANEL	CIELO ARMADIETTO CUCINA M120 700 BARON		

Table_D

POS.	CODE/CODICE	PIECES	DESCRIPTION	DESCRIZIONE	DATA	C
1	CR0909850	1	OVEN BOTTOM PANEL	FONDO BASE FORNO M80 700 BARON		
2	BN6A035910	1	LEFT OVEN DOOR HINGE	CERNIERA PORTA FORNO SX 45010952		
	BN6A035920	1	RIGHT OVEN DOOR HINGE	CERNIERA PORTA FORNO DX 45015851		
3	CR1177930	1	OVEN BOTTOM DASHBOARD	CRUSCOTTO INFERIORE FORNO M80 BARON B18		
4	CR1177460	1	ASSEMBLY OVEN DOOR	PORTA MONTATA FORNO BARON B18		
5	BN41821300150	2	OVEN GRID SUPPORT	SUPPORTO GRIGLIA FORNO 700		
6	CR1020960	1	CABLE PRESS	PRESSACAVO OBO V-TEC PG21 LGR 2024764		
7	CR1020970	1	CABLE PRESS NUT	CONTRODADO OBO 116 VDE PG21 PA 2048221		
8	MA6086113	4	ASSEMBLY FEET	ASS.PIEDINO /1"3/4 INOX FLANG.H150		
9	CR1177790	1	TOP DASHBOARD	CRUSCOTTO PCF/G M120 BARON B18		
10	CR1176810	1	OVEN DOOR HANDLE	ASS. MANIGLIA PORTA FORNO BARON B18		
11	BN6A035010	3	GREY TERMINAL	MORSETTO PASS.10 CBD10		
	BN6A035020	1	BLUE TERMINAL	MORSETTO PASS.10 BLU CBD10 (EX)I10		
	BN6A035030	1	GROUND TERMINAL	MORSETTO TERRA TE10/O CABURTO500		
	BN6A035070	1	LOCK TERMINAL	BLOCCETTO TERMIN. BTO		
12	BN826620041	4	HEATING ELEMENT 1,5KW	RES.1500W 230V F90/04 1GIK1H979002		*
13	CR1314410	1	LEFT OVEN SIDE PANEL	ASS.FIANCO SX FORNO MONOB.700 BARON B18		
14	CR0730790	1	REAR PANEL M120	SCHIENALE MONOBLOCCO M120 700		
15	BN826140810	1	OVEN BREATHER	ASS. SFIATO CAMERA FORNO EL 70BARON		
16	BN6A046001	1	THERMOSTAT SWITCH	COMMUT. PER TERM. 3F F 4941015500		*
17	BN41821210200	1	OVEN REAR CROSSBAR	TRAVERSA SUP. POST. FORNO 700		
18	BN821210040	1	OVEN FRONTAL CROSSBAR	TRAV. SUP. ANTER. FORNO 90/04		
19	CR1314400	1	RIGHT OVEN SIDE PANEL	ASS.FIANCO DX FORNO MONOB.700 BARON B18		
20	CR1177910	1	ELETRIC OVEN DASHBOARD	ASSIEME CRUSCOTTO FORNO ELE. BARON B18		
21	CR1176490	1	OVEN THERMOSTAT KNOB	MANOPOLA ELET.50-300 D65 CH.6 CROMAT.B18		
22	CR1176500	1	OVEN SWITCH KNOB	MANOPOLA FE 4P 0-1-2-3 D65 CH.6 CROM.B18		
23	MA1309000	1	SWITCH	COMMUTATORE EGO - 4934615701 -		*
24	BN826630130	1	SAFETY THERMOSTAT	TERMOS. SIC. 360 3F 5532562806		*
25	BN826630123	1	THERMOSTAT 50-300	TERMOS. 50-300 3F 5534052807		*
26	CR0903610	1	GREEN LIGHT	SPIAVERDE C.GUARNIZIONE 3SEX31B11E3E000		*
	CR0587500	1	ORANGE LIGHT	SPIA ARANCIO C.GUARNIZ.3SEX31B11E2H000		*
27	MA1304500	2	HINGE ROLLER HOLDER	STAFFA PORTARULLINO 45508410		
28	BN41821410191	1	OVEN INTERNAL PANEL	SUOLA FORNO 700		
29	BN6A047031	1	CONTACTOR 20A	MINICONTAT.20A MC1 A301AT6 G.EL		*
30	BN41826330030	1	OVEN GRID	BN-GRIGLIA FORNO 700		

* >>> Ricambio consigliato

>>> Accessorio