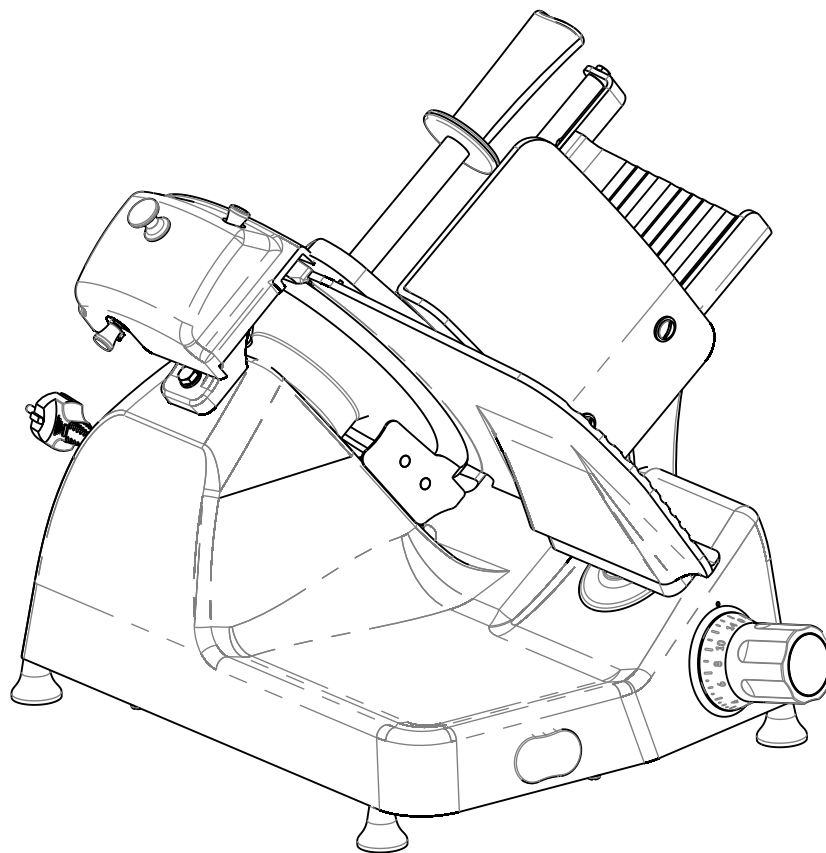


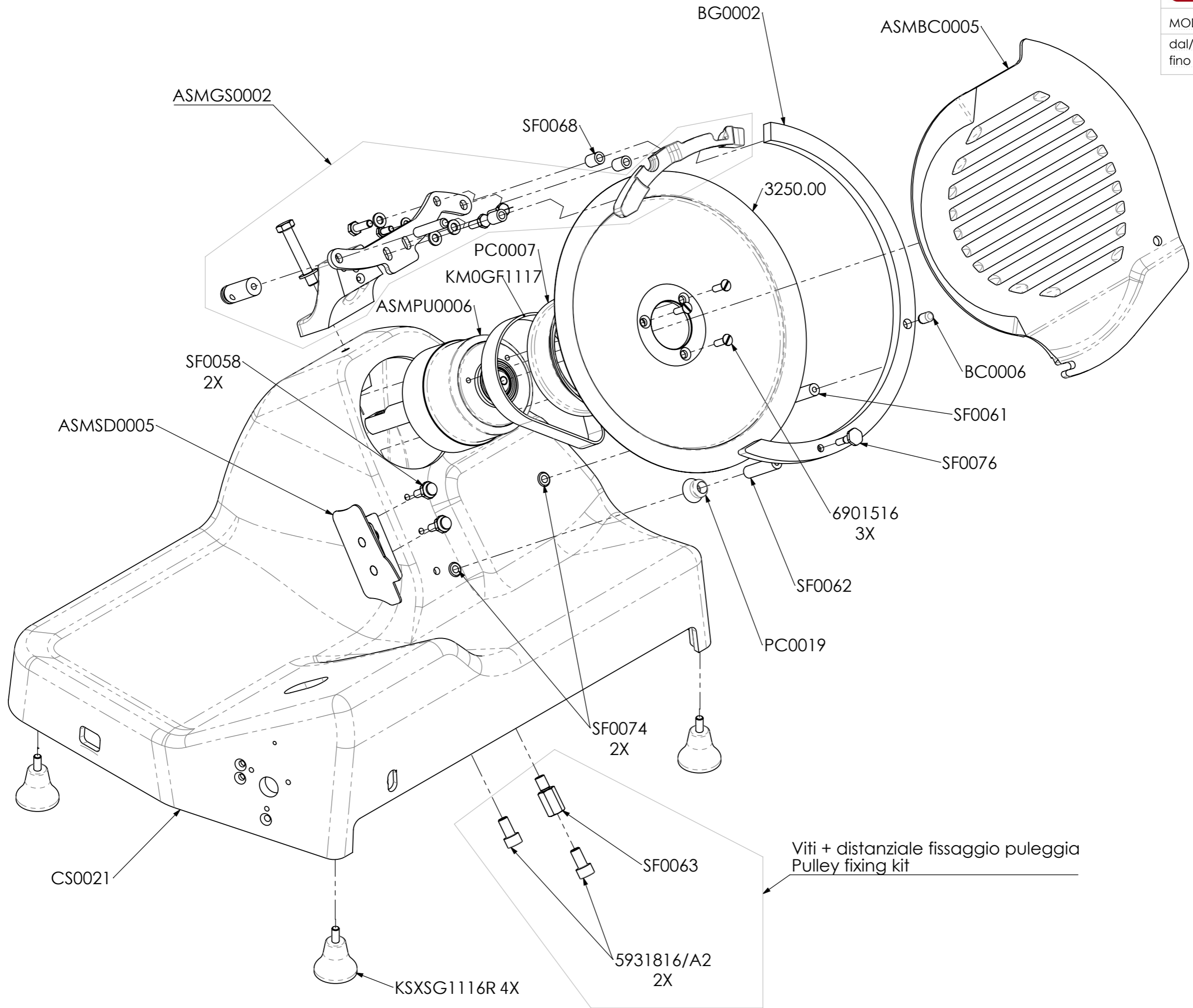
**Berkel**  
**Red.**  
**Since 1898.**

VAN BERKEL INTERNATIONAL S.r.l.  
Via Ugo Foscolo, 22  
21040 OGGIONA S. STEFANO (VA) ITALY  
Tel. +39 0331 214311 - [service@berkelinternational.com](mailto:service@berkelinternational.com)  
[www.theberkelworld.com](http://www.theberkelworld.com)

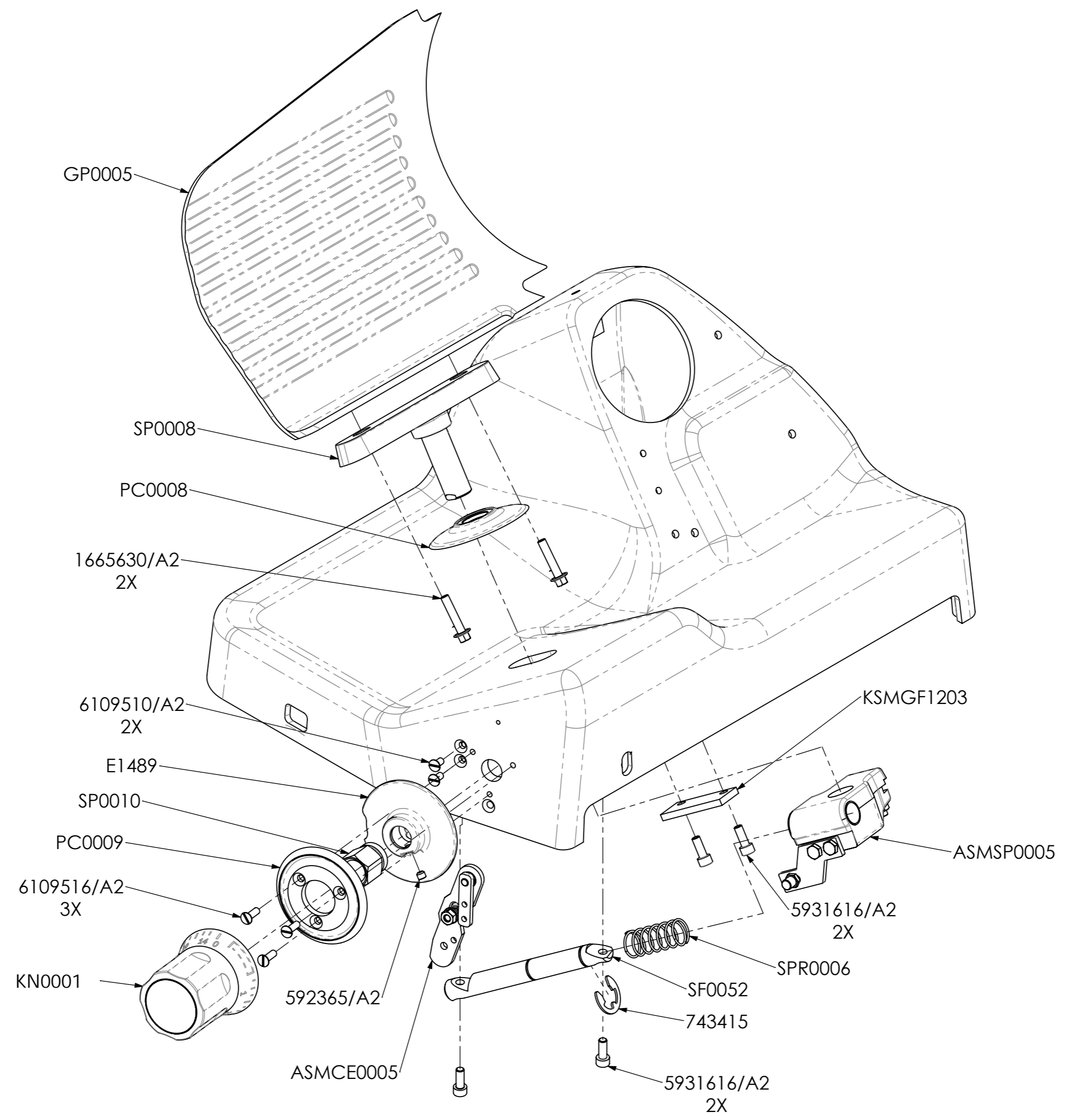


## **PRO LINE XS25**

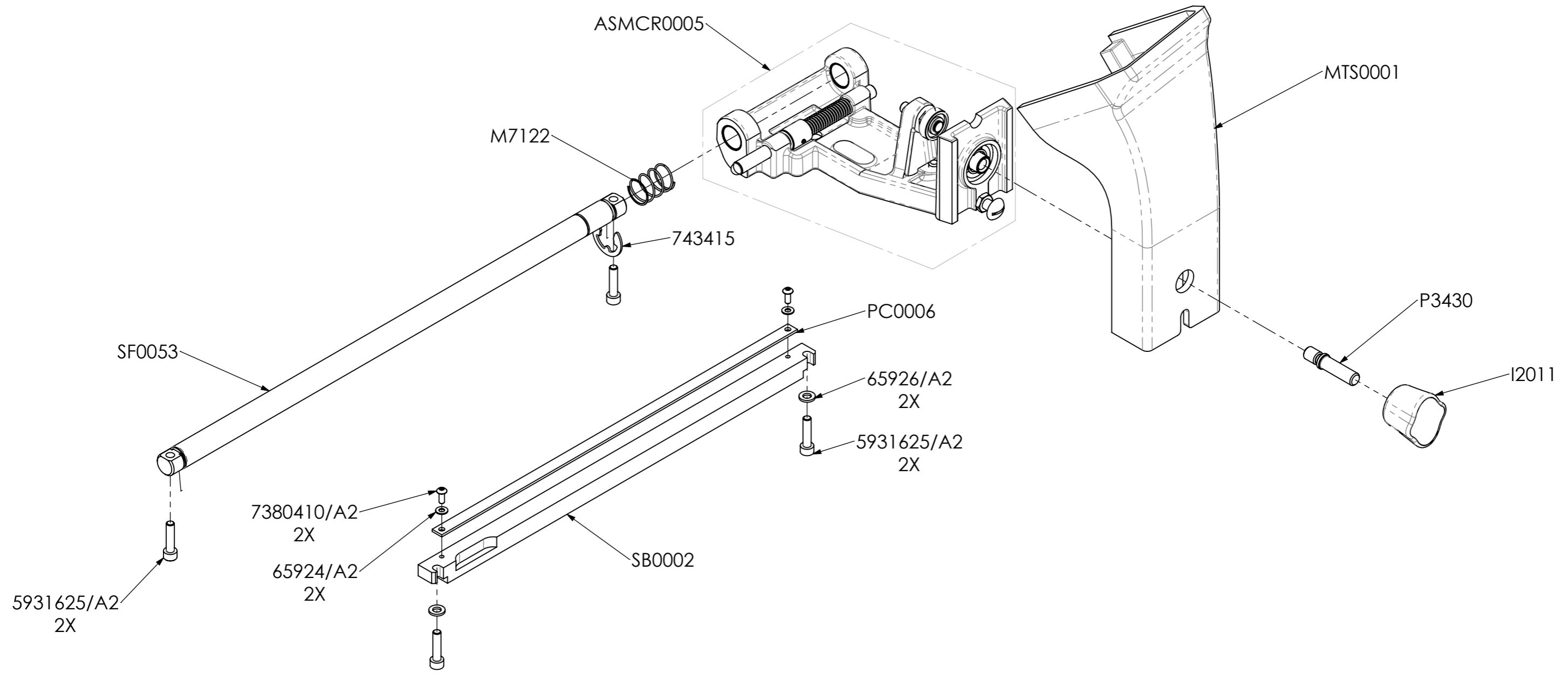
PROFESSIONAL ELECTRIC SLICER  
AFFETTATRICE ELETTRICA PROFESSIONALE



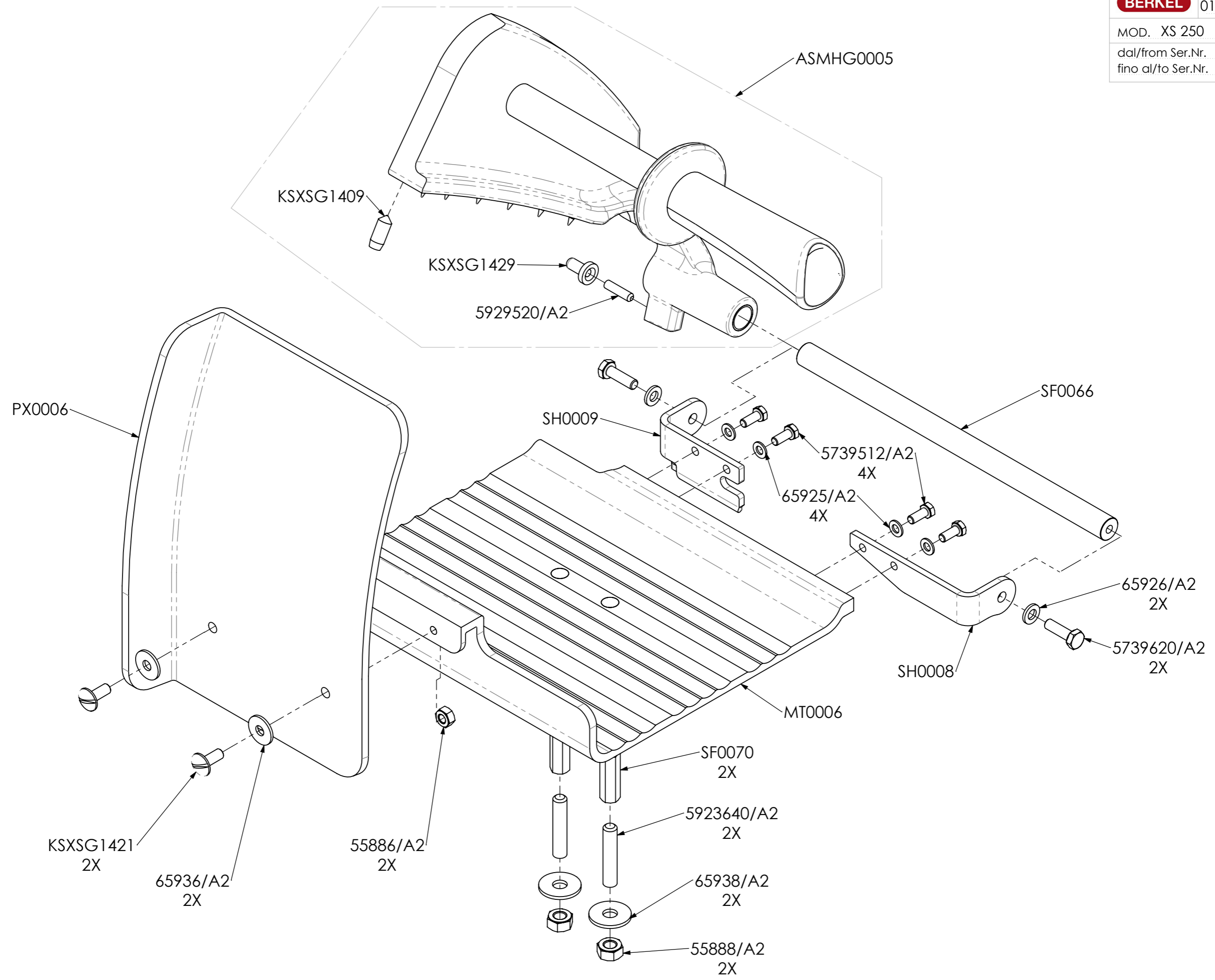
MOD. XS 250  
dal/from Ser.Nr. ....  
fino al/to Ser.Nr. ....

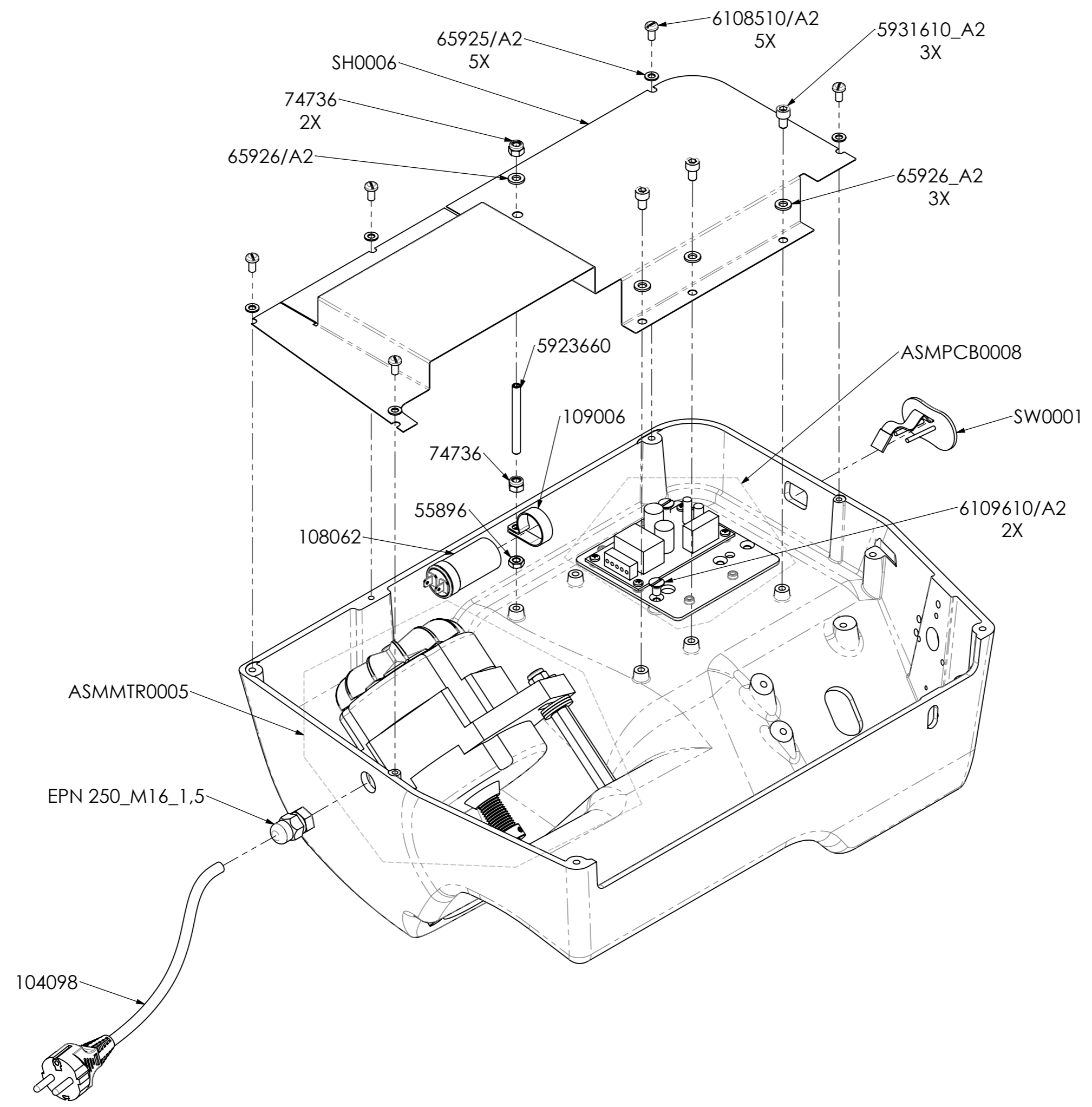


MOD. XS 250  
dal/from Ser.Nr. ....  
fino al/to Ser.Nr. ....



MOD. XS 250  
dal/from Ser.Nr. ....  
fino al/to Ser.Nr. ....





MOD. XS 25  
dal/from Ser.Nr.  
fino al/to Ser.Nr.

