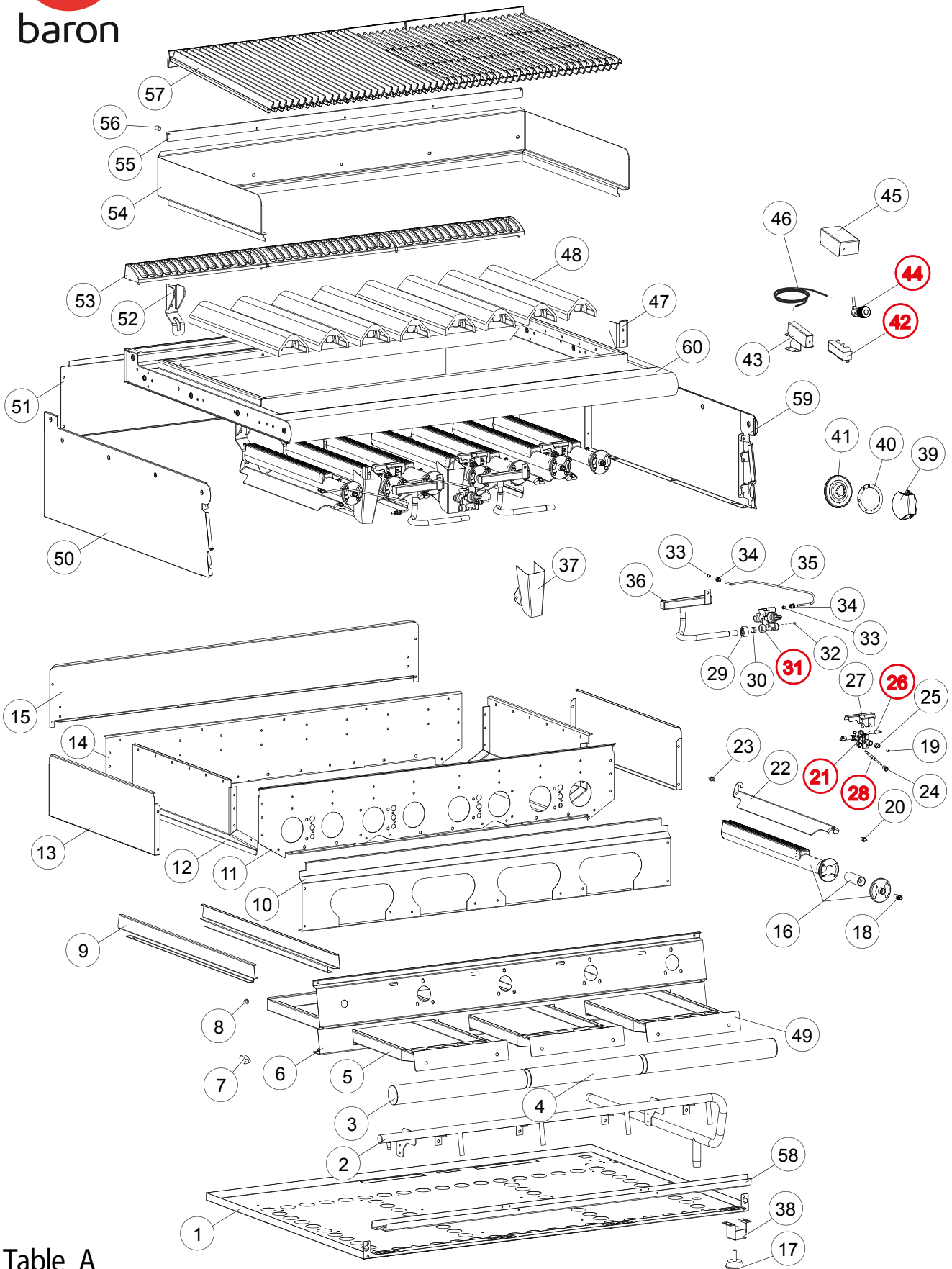




# QUEEN9 GAS STEAM GRILL / GRIGLIA A GAS



Table\_A

EDITION 09 2019

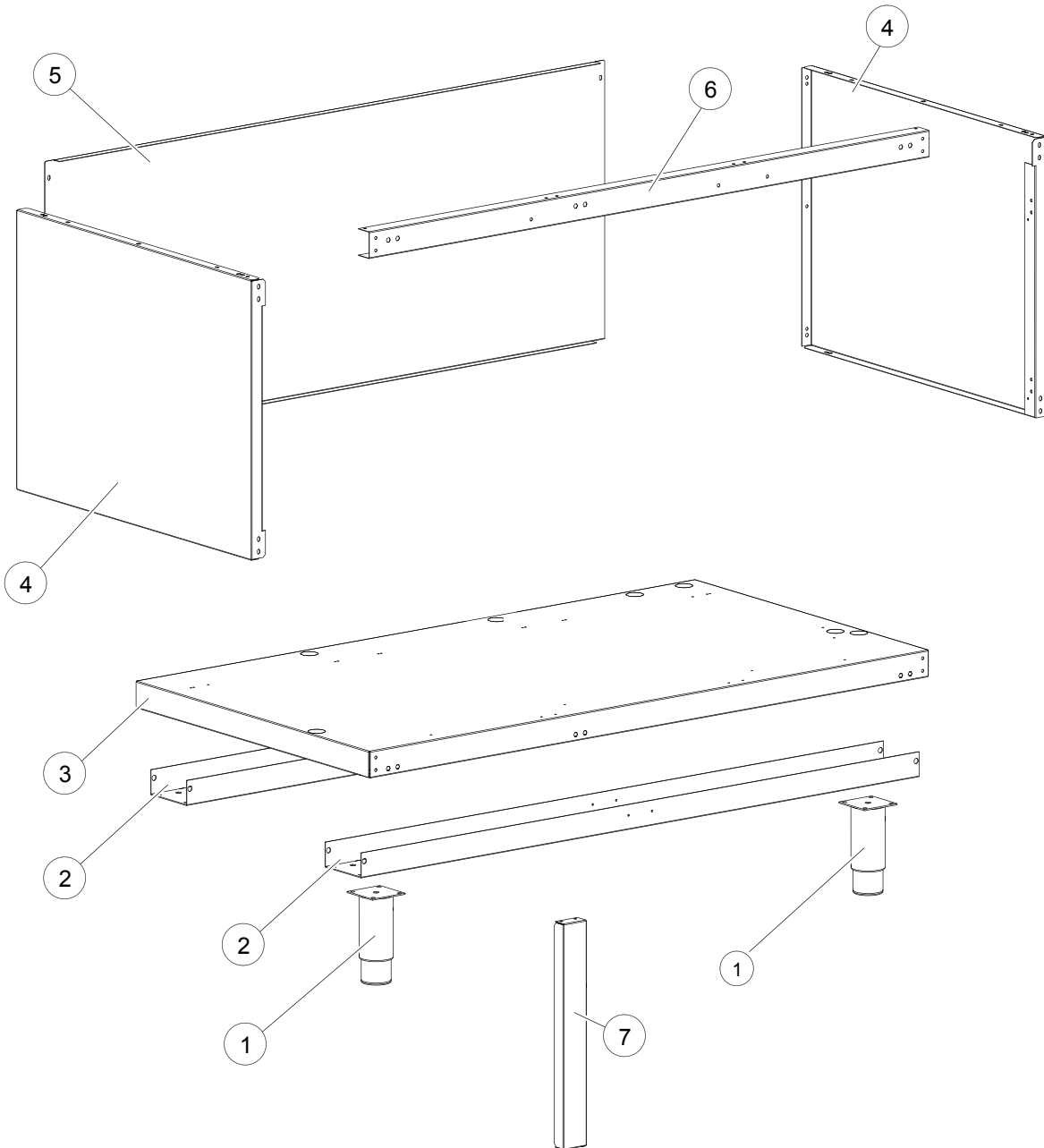
CR1018529 - CR1018539 Q90G-GV/G120

\* >>> Ricambio consigliato/raccomended part



baron

QUEEN9  
GAS STEAM GRILL / GRIGLIA A GAS



Table\_B

EDITION 09 2019

CR1018529 - CR1018539 Q90G-GV/G120

\* >>> Ricambio consigliato/raccomended part

# QUEEN9

## GAS STEAM GRILL / GRIGLIA A GAS

Table\_A

POS.	CODE/CODICE	PIECES	DESCRIPTION	DESCRIZIONE	DATA	R.C.
1	CR1090500	1	GRILL BOTTOM PANEL	FONDO TOP GRIGLIA GAS 900 M120 BARON		
2	CR1090670	1	ASSEMBLY GAS RAMP	RAMPA GRIGLIA GAS TOP 900 M120 BARON		
3	CR1314360	2	SIDE ASSEMBLY DRAWER HANDLE	ASS.TUBO MANIGLIA LAT.GRIGLIA BARON B18		
4	CR1314380	1	CENTRALASSEMBLY DRAWER HANDLE	ASS.TUBO MANIGLIA CEN.GRIGLIA BARON B18		
5	CR1090530	3	GRILL TRAY	LECARDA GRIGLIA 900		
6	CR1314310	1	GRILL DASHBOARD M120	CRUSCOTTO GRIGLIA GAS M120 BARON B18		
7	CR1265630	4	BOTTOM DASHBOARD SPACER	DISTANZIALE CRUSCOTTI BARON B18		
8	CR0585560	4	REAR DASHBOARD SPACER	DISTANZIALE PER CRUSCOTTO		
9	CR1314270	6	GRILL TRAY GUIDE	GUIDA LECARDA GRIGLIA 90 BARON B18		
10	CR1090630	1	COMBUSTION CABINET FRONTAL PROTECT	PROTEZIONE ANT.C/COM.GRIGLIA GAS M120		
11	CR0978060	1	COMBUSTION CABINET FRONTAL PANEL	PARETE ANT. CAM/COMB. GRIGLIA 120 SD		
12	CR0978070	2	COMBUSTION CABINET SIDE PANEL	PARETE LATERALE CAM/COMB. GRIGLIA SD		
13	CR1090640	2	COMBUSTION CABINET SIDE PROTECTION	PROTEZIONE LAT.CAM./COMB.GRIGLIA 900		
14	CR0972400	1	COMBUSTION CABINET REAR PANEL	PARETE POST. CAM/COMB. GRIGLIA M120		
15	CR1090620	1	COMBUSTION CABINET REAR PROTECTION	PROTEZIONE POST.C/COM.GRIGLIA 900 M120		
16	CR1071040	8	GRILL BURNER	BRUCIATORE GRIGLIA M120		
17	MA1036500500	6	ADJUSTABLE FEET	PIEDE REGOLAB.Ø 40 M8 PRP 114015		
18	TAB. B	8	BURNER NOZZLE	UGELLO BRUCIATORE		
19	TAB. C	8	PILOT NOZZLE	UGELLO PILOTA		
20	CR0978130	6	DRAWER PROTECTION PIN SUPPORT	SUPPORTO SCHERMATURA CASSETTO GRIGLIA		
21	CR1074170	4	ASSEMBLY PILOT	GRUPPO PILOTA GRIGLIA SD		*
22	CR0978100	6	DRAWER PROTECTION	SCHERMATURA BRUCIATORE GRIGLIA		
23	CR0978130	6	DRAWER PROTECTION PIN SUPPORT	SUPPORTO SCHERMATURA CASSETTO GRIGLIA		
24	MA1891700	4	THERMOCOUPLE JUNCTION	RACCORDO X TERMOCOPPIA SIT 0974036		
25	CR0972360	4	AIR REGULATION	REGOLAZIONE ARIA PRIMARIA PILOTA GRIGLIA		
26	CR1071000	4	ELECTRODE	ELETTRODO ACCENSIONE POLIDORO 031001400		*
27	CR0971820	4	PILOT DUCT	DEFLETTORE PILOTA GRIGLIA M120		
28	MA641900	4	THERMOCOUPLE M9X1 L=400	TERMOCOPPIA M9X1 L=400 SIT 0200005		*
29	BN6A016200	8	NUT 20X1,5 D.12	DADO 20 X 1,5 PER BIC. DIAM. 12		
30	BN6A016300	8	BICONE D.12	BICONO DA 12 PEL 0906		
31	CR0972370	4	GAS TAP PEL 22S	RUBINETTO GAS PEL 22S /180 ALBERINO 180°		*
32	TAB. D	8	GAS TAP MINIMUM SCREW	VITE DI MINIMO		
33	MA673600	8	PILOT BICONE /4S	BICONO /4 S		
34	MA673500	8	PILOT NUT M10X1/4	DADO M10 x 1/4		
35	CR1090980	4	PILOT PIPE	CONDUTTURAZIONE PILOTA GRIGLIA 900 M120		
36	CR1090650	4	BURNER NOZZLE COLLECTOR	COLLETTORE UGELLI BRUC.GRIGLIA 900 M120		
37	CR1090610	3	DRAIN PROTECTION	SCARICO GOLOSA GRIGLIA 900		
38	BN2540060	6	FEET SUPPORT	SUPPORTO PIEDINO APP. TOP 70/02		
39	CR1176150R	4	ASSEMBLY KNOB	MANOPOLA ALBERINO D.10 CROMATA BARON B18		
40	CR1176250	4	UNDER KNOB DISC	DISCO PLACCA D76.5 CUC.GAS.ANT.BARON B18		
41	CR1176160	4	UNDER KNOB	PLACCA CROMATA MANOPOLA BARON B18		
42	SI8206300	1	ELECTRONIC IGNITER	ACCENDITORE UBZ 4/1.5 - 4000 ANSTOSS		*
43	CR1090471	1	IGNITER SUPPORT	SUPPORTO ACCENDITORE GRIGLIA		
44	SI8206290	1	IGNITER BUTTON WITH BATTERY	PULSANTE A BATTERIA BKAA/T - 500 ANSTOSS		*
45	CR1264310	1	IGNITER COVER	COPERTURA ACCENDITORE GRIGLIA GAS M120		
46	CR1071501	1	IGNITER CABLE	CABLAGGIO GRIGLIA GAS SD		
47	CR0971770	8	FRONTAL DUCT SUPPORT	SUPPORTO ANT. TEGOLO GRIGLIA		
48	CR0972330	8	BURBER DUCT	DEFLETTORE BRUCIATORE GRIGLIA SD		
49	CR1314320	3	ASSEMBLY DRAWER HANDLE	ASS.IMPUGNATURA LECARDA GR. 90 BARON B18		
50	CR1265750	1	LEFT ASSEMBLY SIDE PANEL	ASS.FIANCO SX TOP 900 BARON B18		
51	CR1173510	1	EXTERNAL REAR PANEL	SCHIENALE TOP M120 304 BARON		
52	CR0971780	8	REAR DUCT SUPPORT	SUPPORTO POST. TEGOLO/BRUC. GRIGLIA		
53	CR1176580	3	REAR CHIMNEY GRID	GRIGLIA SC/FUMI GHISA M40 BARON B18		
54	CR0978150	1	ASSEMBLY SPLASH BACK	PARASPRUZZI GRIGLIA 120 SD		
55	CR0972280	1	REAR GRID SUPPORT	SUPPORTO POSTERIORE GRIGLIA COTTURA M120		
56	CR0972350	5	REAR GRID SUPPORT SPACER	DISTANZIALE SUPP/POST. GRIGLIA COTTURA		
57	CR0972341	6	CAST IRON GRID	GRIGLIA COTT.GHISA GRIGLIA SD SMALTATA		
58	CR1090970	2	BOTTOM PANEL REINFORCEMENT	RINFORZO FONDO TOP GRIGLIA M120		
59	CR1265740	1	RIGHT ASSEMBLY SIDE PANEL	ASS.FIANCO DX TOP 900 BARON B18		
60	CR1314280	1	ASSEMBLY TOP PLATE	ASS.PIANO GRIGLIA GAS 90 M120 BARON B18		

\* >>> Ricambio consigliato

Table\_B

POS.	CODE/CODICE	PIECES	DESCRIPTION	DESCRIZIONE	DATA	R.C.
1	MA6086113	4	ASSEMBLY FEET	ASS.PIEDINO /1 3/4 INOX FLANG.H150		
2	CR0584930	2	BOTTOM PANEL CROSSBAR	TRAVERSA INFERIORE VANO M120		
3	CR0901650	1	BOTTOM PANEL	RIPIANO INFERIORE VANO 900 M120 BARON		
4	CR0901440	2	EXTERNAL SIDE PANEL	FIANCO BASE VANO 900 BARON		
5	CR1225950	1	EXTERNAL REAR PANEL	SCHIENALE BASE VANO M120 304		
6	CR0901660	1	UPPER CROSSBAR	TRAVERSA SUPERIORE BASE VANO M120 BARON		
7	CR0901670	1	BOTTOM PANEL REINFORCEMENT	RINF. RIP. INF.VANO 900 M120-160 BARON		

\* >>> Ricambio consigliato