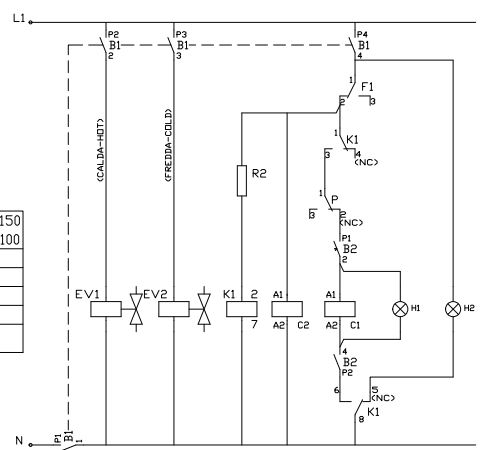


Mod	NP198E10 (N)EPE9I10(A) (D)94/10PEI10 (Q)90PF/EI150
PKW)	21
I(A)	30.3
U(V)	380-415V 3N~
f(Hz)	50-60
Supply Cable	5G4mm ²

	1	2	3	4
B1				
0				
1	X	X	X	X
2	X	X	X	X
3	X	X	X	X



B1	CDMMUTATORE	CDMMUTEUR	CHANGE-OVER SWITCH	UMSCHALTER
B2	REGOLATORE ENERGIA	REGOLATORE ENERGIE	ENERGY CONTROL	SIMMERSTAT
C1-C2	CONTATTORE	CONTACTEUR	CONTACTOR	KONTAKTSCHALTER
EV1	CARICO ACQUA CALDA	CHARGE EAU CHAUDE	HOT WATER LOAD	WARMWASSERZULAUFL
EV2	CARICO ACQUA FREDDA	CHARGE EAU FROIDE	COLD WATER LOAD	KALTEWASSERZULAUFL
F1	TERMOSTATO	THERMOSTAT	WATER FILLING THERMOSTAT	WASSERFUELLUNG THERMOSTAT
H1	SPIA ARANCIO	LAMPE ORANGE	ORANGE PILOTLIGHT	DRANGE LAMPE
H2	SPIA ROSSA	LAMPE ROUGE	RED PILOTLIGHT	RODT LAMPE
K1	RELE'	RELAIS	RELAY	RELAY
MA	MORSETTIERA ARRIVO LINEA	BORNES ARRIVEE LIGNE	TERMINAL BLOCK	ANSCHLUSSKLEMME
P	PRESSOSTATO	MANDSTAT	MANDSTAT	PRESSOSTAT
R1	RESISTENZA	RESISTANCE	HEATING ELEMENT	HEIZKORPER
R2	RESISTENZA CONTROLLO ACQUA	RESISTANCE CONTROLLE EAU	WATER CONTROL HEATING ELEMENT	WASSER HEIZKORPER KONTROLLE

18005	00	PRIMA EMISSIONE-AGGIORNATO B1	09/02/2018	NARDINI
18014	01	AGGIUNTO (N) (D) (Q)	08/05/2018	NARDINI
Rif	Rev	Description	Date	Author

Code	CR0685011		Rev.	01
Drawing Description	SCHEMA ELETTRICO PENTOLA INDIR.ELE.900		Document Status	
Author	NARDINI		Document Type	SCHEMA ELETTRICO
Date	07/02/2018		This document is exclusive property of ALI S.p.A. and should not be distributed, reproduced, into any other format without prior permission of ALI S.p.A. - Specifications subject to change without prior notice -	