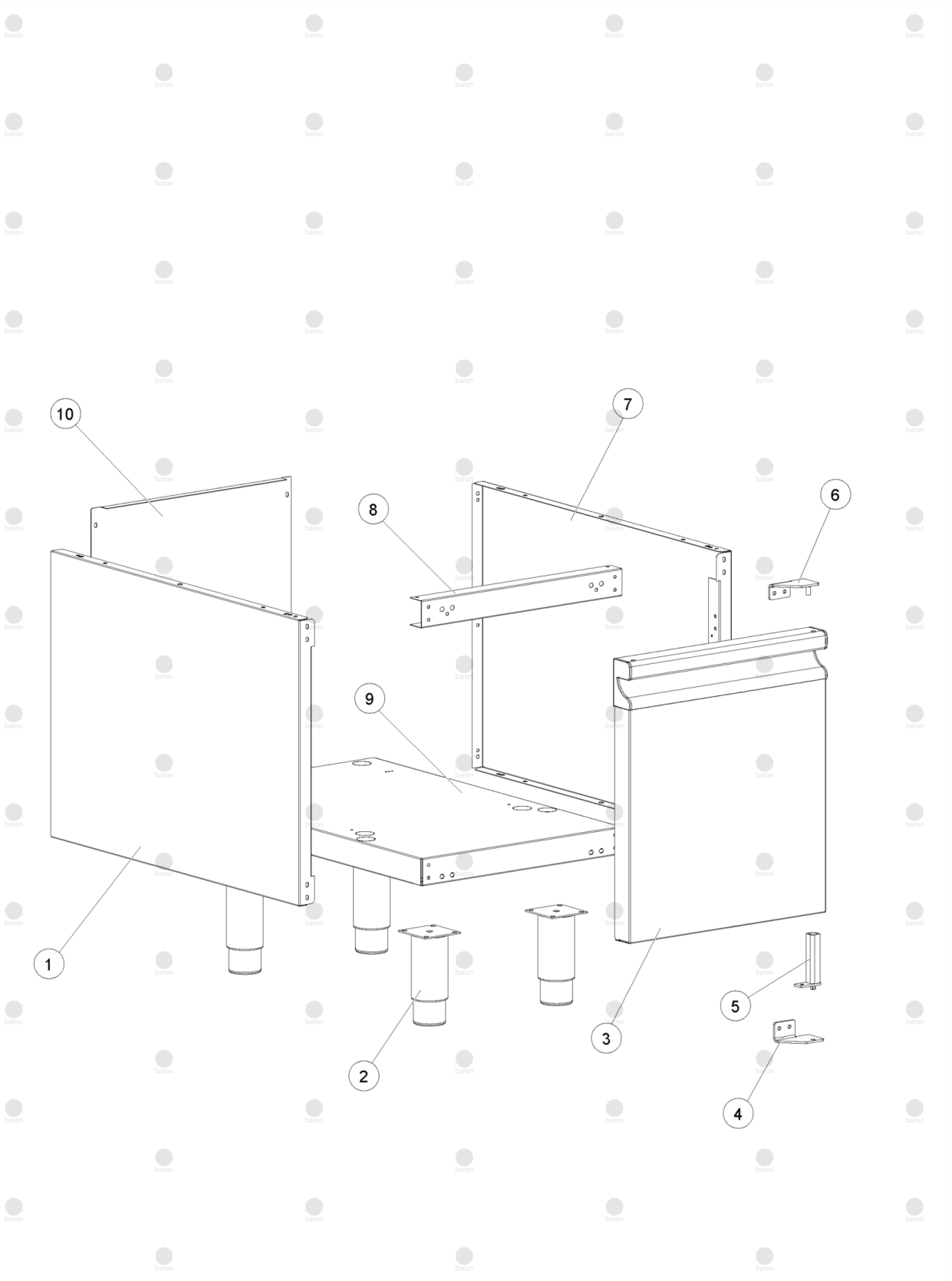


Table_A

EDITION 06 2019

CR1017969 - CR1017979 Q90SP-SPV/E400

Pos	Art.- Nr.	Bezeichnung
0001	BN2540060	HALTERUNG [C]
0002	CR1365520	ASS.PIEDINO /13/4 INOX FLANG.H150
0002	CR1511210	PIEDINO PER TOP 11/2 INOX REG. 75-84
0002	MA1036500500	FUSS [C]
0003	CR1020940	KABELKLEMME - KIT 10 STÄCK
0004	CR1020950	CONTRODADO OBO 116/PG16 NY
0005	CR1176690	MANIGLIA PORTA M40 OLIS
0006	CR1312760	CRUSCOTTO BAGN/SCALD.70 M40 EL.BARON B18
0007	CR1265630	DISTANZIERSTÄCK [C]
0008	CR0585560	DISTANZIERSTÄCK [C] BEDIENUNGSBRETT
0009	CR0588180	3 POLE-KLEMMBRETT [C] 450V
0010	CR0971330	SUPPORTO MORSETTIERA BM ELE BARON
0011	CR1312820	FONDO BM/SP 90 M40 BARON B18
0012	CR0411661	PARETE LATERALE VASCA BSEI
0013	CR0411651	FASCIA VASCA BSEI
0014	CR0413580	CABLAGGIO SCALDAPATATE 70/90
0015	MA1037039513	HEIZELEMENT [C] 1000W 230V
0016	CR0418390	ELEMENTO FISSAGGIO RESISTENZA SP
0017	MA1037313200	UMSCHALTER [C] 250V
0018	CR0587650	DICHTUNG [C] WELLE
0019	CR1176160	PLACCA CROMATA MANOPOLA BARON B18
0020	CR1176420	SCHEIBE [C] PLATTE D. 76,5 BARON
0021	CR1360950R	MANOP. COMP. ALB. D.6 C/MOLLA CROMAT.B18
0022	CR1176370	SCHEIBE [C] PLATTE D. 76,5 BARON
0023	MA1037117700	THERMOSTAT [C] 30°-90°C
0024	MA1988500	TRAGBÄGEL [C]
0025	MA1230100	SCHALTER [C]
0026	MA1033060700	ABSTANDSTUECK 10X1X16,5
0027	MA1044208200	SQU. FISSAGGIO BULBO
0028	CR1312110	ASS PIANO SCALDAP.M40 900 BARON B18
0029	CR1265750	ASS.FIANCO SX TOP 900 BARON B18
0030	CR0587500	ORANGE KONTROLLAMPE [C]
0031	CR1265620	FLANSCH
0032	CR0840800	DECKEL [C]
0033	MA1037117600	2 POLE-KLEMMBRETT [C]
0034	MA1037317601	HEIZELEMENT [C] 1000W 230V FSR
0035	CR0840780	RIFLETTORE LAMPADA SCALDAPATATE NSP
0036	CR0840810	SUPPORTO MORSETTIERA LAMPADA NSP
0037	CR0840790	HALTERUNG GLÜHBIRNE [C]
0038	MA1034039800	BECKER [C] GN 1/1 H. 150
0039	MA1044094400	DOPPELBODEN [C] KBS-4
0040	CR1176580	SCHUTZGITTER [C] RAUCHABLAUF
0041	CR1225820	SCHIENALE TOP M40 304
0042	CR1265740	ASS.FIANCO DX TOP 900 BARON B18
0043	CR0587640	PROFILO GUARNIZIONE CRUSCOTTI
0044	CR1314430	VERSCHLUSS [C] RAUCHABZUG BARON



Table_B

EDITION 06 2019

CR1017969 - CR1017979 Q90SP-SPV/E400

Pos	Art.- Nr.	Bezeichnung
0001	CR0901800	BEDIENUNGBRETT [C]
0002	MA6086113	FUSSGRUPPE [C] H. 200
0003	CR1177400	PORTA MONTATA 40-80 DIAMAN.70-90/10 LOGO
0004	CR1024540	CERN. INFER. DX PORTA AUTOCHIUDENTE 1100
0004	CR1024550	CERN. INFER. SX PORTA AUTOCHIUDENTE 1100
0005	BN1412052	UNTERE SCHARNIER [R]
0006	CR1024560	ASS. CERN. SUP. DX PORTA AUTOCHIUD. 1100
0006	CR1024570	ASS. CERN. SUP. SX PORTA AUTOCHIUD. 1100
0007	CR0901800	BEDIENUNGBRETT [C]
0008	CR0901600	TRAVERSA SUPERIORE BASE VANO M40 BARON
0009	CR0901590	RIPIANO INFERIORE VANO 900 M40 BARON
0010	CR1225920	SCHIENALE BASE VANO M40 304