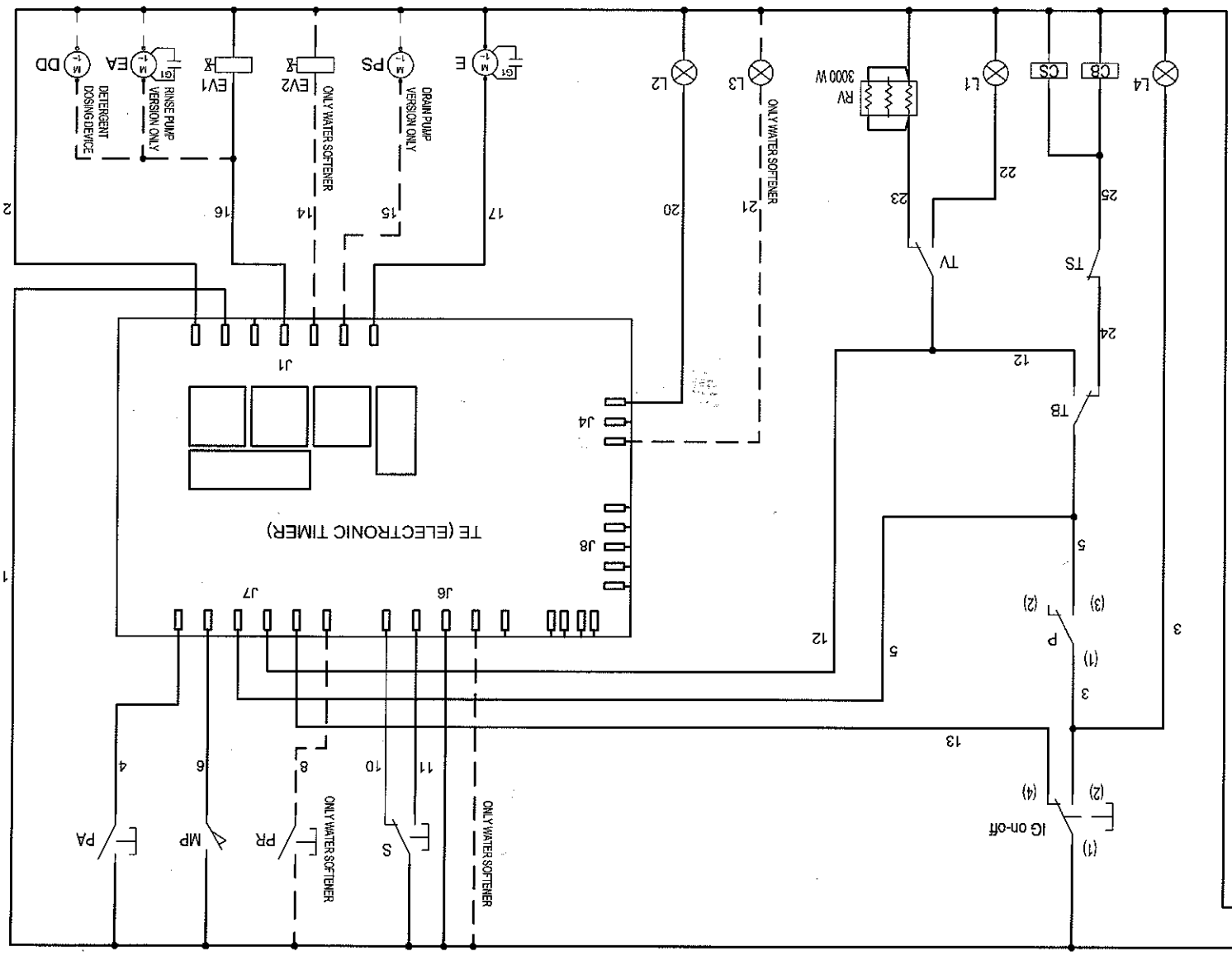
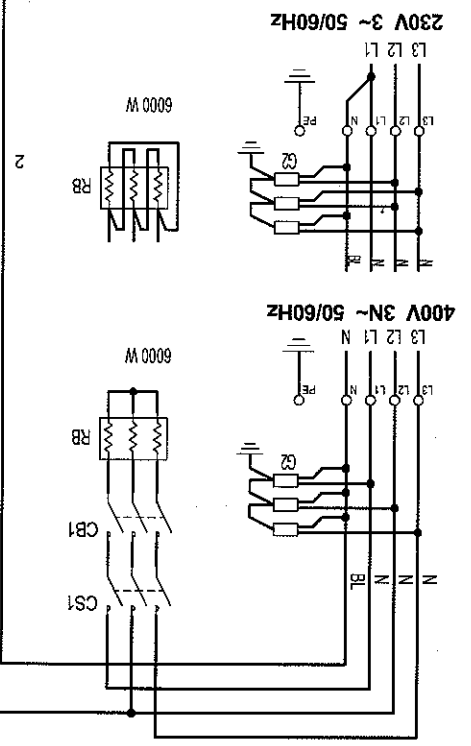


LO SCHEMA RAPPRESENTA L'IMPIANTO IN POSIZIONE DI SPENTO  
 LO SCHEMA RAPPRESENTA L'INSTALLATION EN POSITION DE STOP  
 THE DRAWING SHOWS THE PANEL ON "STOP" POSITION  
 DAS SCHEMA ZEIGT DIE ANLAGE AUSGESCHALTET



Mod.: HT 50  
 HT 50A



Prima di intervenire sull'apparecchio, scollegare l'alimentazione elettrica - Unplug the power supply before operating on the appliance  
 Bevor am Gerät arbeiten, ausschalten die elektrische Verbindung - Disconnect the power supply before working on the device  
 Avant d'intervenir sur l'appareil, déconnecter l'alimentation électrique - Disconnect the power supply before working on the appliance

LA VASTOVIGILE / DISWASHER  
 GESCHIRRSPÜLMASCHINEN  
 LAVE-VAISSELLE / LAVAJUELAS

nome: Lot F.  
 data: 01/06/2013

MOD. 251.888.13

LA DITTA SI RISERVA A TERMINI DI LEGGE LA PROPRIETA' DI QUESTO DISEGNO CON DIVIETO DI RIPRODURLO O RENDERSILO PUBBLICO A TERZI SENZA LA SUA AUTORIZZAZIONE  
 FOGGIO: 1/1

CODE	ITALIANO	ENGLISH	FRANÇAIS	DEUTSCH	ESPAÑOL	NEDERLANDS
A	MORSETTIERA	TERMINAL BOARD	PLAQUE A BORNES	ANSCHLUSSKLEMMENLEISTE	BLOQUE TERMINAL	KLEMBLOK
BL	CONDUTTORE BLU	BLUE CONDUCTOR	BLUE FIL CONDUCTEUR	BLAUE LEITUNG	CONDUCTOR AZUL	BLAUW LEIDINGEN
BR	CONDUTTORE MARRONE	BROWN CONDUCTOR	MARRON FIL CONDUCTEUR	BRAUNE LEITUNG	CONDUCTOR MARRÓN	BRUIN LEIDINGEN
CB	TELERUTTORE RESISTENZA BOILER	SWITCH RESISTANCE HEATER	TELERUPTEUR RES. CHAUFFE-EAU	FERNSCHALTER BOILER HEZKORPER	TELERRUPTOR RESISTENCIA BOILER	TELERUPTEUR WEERSTAND BOILER
CB1	CONTATTI TELERUTTORE RESISTENZA BOILER	BOILER RESIST. REMOTE CONTROL SW. CONTACTS	CONTACTS TELERUPTEUR RES.CHAUFFE-EAU	KONTAKTE FERNSCHALTER BOILER HEZKORPER	CONTACTOS TELERRUPTOR RESISTENCIA BOILER	CONTACTEN WEERSTAND BOILER
CM	CONTATTORE MOTORE	MOTOR CONTACTOR	CONTACTEUR MOTOR	MOTOR SCHUETZ	CONTACTOR MOTOR	MAGNEETSCHAKELAAR
CN1	SONDA VASCA	TANK PROBE	SONDE CUVE	TANKSONDE	SONDE DE CUBA	TANKSONDE
CN2	SONDA BOILER	BOILER PROBE	SONDE CHAUDIÈRE	BOILERSONDE	SONDA DE CALENTADOR	BOILERSONDE
CN3	ALIMENTAZIONE DISPLAY	DISPLAY POWER SUPPLY	ALIMENTATION ÉCRAN	ANZEIGE VERSORGUNG	ALIMENTACIÓN VISUALIZADOR	DISPLAY VOEDING
CS	TELERUTTORE SICUREZZA	SAFETY REMOTE CONTROL SWITCH	TELERUPTEUR DE SECURITE	SICHERHEITSFERNSCHALTER	TELERRUPTOR SEGURIDAD	ZEKERHEIDSSCHAKELAAR
CS1	CONTATTI TELERUTTORE SICUREZZA	SAFETY REMOTE CONTROL SWITCH CONTACTS	CONTACTS TELERUPTEUR DE SECURITE	KONTAKTE SICHERHEITSFERNSCHALTER	CONTACTOS TELERRUPTOR SEGURIDAD	CONTACTEN ZEKERHEIDSSCHAKELAAR
CV	TELERUTTORE RESISTENZA VASCA	TUB RESISTANCE REMOTE CTRL. MS. CONTACTS	TELERUPTEUR RESISTANCE BAC	BECKENHEIZKORPER	TELERRUPTOR RESISTENCIA TANQUE	TELERUPTEUR WEERSTAND KUIP
CV1	CONTATTI TELERUTTORE RESISTENZA VASCA	TUB RESISTANCE REMOTE CTRL. MS. CONTACTS	CONTACTS TELERUPTEUR RESISTANCE BAC	KONTAKTE BECKENHEIZKORPER	CONTACTOS TELERRUPTOR RESISTENCIA TANQUE	CONTACTEN TELERUPTEUR WEER-STAND KUIP
DD	DOSATORE DETERSIVO	DETERGENT DISPENSER	DOSIEUR DETERGENT	SPULMITTELDOSIERER	DOSIFICADOR DETERSIVO	AFWASMIDDELBAKJE
DY	DISPLAY	DISPLAY	ÉCRAN	ANZEIGE	VISUALIZADOR	TONEN
E	ELETTROPOMPA	MOTOR PUMP	ELECTROPOMPE	ELEKTROPUMPE	ELECTROBOMBA	ELEKTROPOMP
EA	ELETTROPOMPA AUSILIARIA RISCIAQUO	RINCE ELECTROPUMP HELPÉR	ELECTROPOMPE AUXIL. DE RINCAGE	HILFSPUMPE ELEKTRO F. NACHSPULUNG	ELECTROBOMBA AUXILIARIA ENJUAGUE	ELEKTROPOMP AFSPOELING
EV1	ELETTROVALVOLA CARICO-RISCIAQUO	LOAD RINSE SOLENOID VALVE	ELECTROSOUPAPE REMPLIS-RINCAGE	MAGNETVENTIL ZULAUF-SPULVORGANG	ELETTROVALVOLA CARICA-ENJUAGUE	ELEKTROKLEP LADING AFSPOELING
EV2	ELETTROVALVOLA RIGENERA	REGENERATION SOLENOID VALVE	ELECTROSOUPAPE REGENERATION	MAGNETVENTIL REGENERIERUNG	ELETTROVALVOLA REGENERACIÓN	ELEKTROKLEP REGENERATIE
EV3	ELETTROVALVOLA RISCIAQUO FREDDO	COLD-RINSE ELECTRIC VALVE	ELECTROSOUPAPE DE RINCAGE FROID	MAGNETVENTIL KALTWASSERNACHSPULUNG	ELETTROVALVOLA ENJUAGUE FRÍO	ELEKTROKLEP KOUDE AFSPOELING
G	CONDUTTORE GRIGIO	GREY CONDUCTOR	GRIS CONDUCTEUR	GRAUE LEITUNG	CONDUCTOR GRIS	GRISS LEIDINGEN
G1	CONDENSATORE	CONDENSER	CONDENSEUR	KONDENSATOR	CONDENSADOR	CONDENSATOR
G2	FILTRO ANTIDISTURBI	NOISE FILTER	FILTRE ANTI-DERANGEMENT	ENTSTORUNGSFILTER	FILTRO ANTI RUIDO ELECTROMAGNÉTICO	ENTSTORFILTER
GV	CONDUTTORE GIALLO-VERDE	YELLOW-GREEN CONDUCTOR	JAUNE-VERT CONDUCTEUR	GELBE-GRUNE LEITUNG	CONDUCTOR AMARILLO-VERDE	GRISS LEIDINGEN
IG	INTERRUTTORE GENERALE	MAIN SWITCH	INTERRUPTEUR GENERAL	HAUPTSCHALTER	INTERRUPTOR GENERAL	SCHAKELAAR
L1	LAMPADA SPIA MACCHINA PRONTA	MACHINE READY PILOT LIGHT	VOYANT MACHINE PRETE	KONTROLLEUCHTE BETRIEBSSBER.GERAT	LÁMPARA PILOTO APARATO LISTO	KONTROLELAMPJE MACHINE KLAAR
L2	LAMPADA SPIA MECCANICA IN FUNZIONE	MACHINE IN OPERATION PILOT LIGHT	VOYANT MACHINE EN MARCHÉ	SPANNUNGSKONTROLLEUCHTE	LÁMPARA PILOTO APARATO EN FUNCIÓN	KONTROLELAMPJE MACHINE IN BRUJUE
L3	LAMPADA SPIA RIGENERA	RIGENERATION LIGHT	LAMPE TEMOIN REGENERATION	KONTROLLEUCHTE REGENERIERUNG	LÁMPARA PILOTO REGENERACIÓN	KONTROLELAMPJE REGENERATIE
L4	LAMPADA SPIA TENSIONE	VOLTAGE WARNING LIGHT	LAMPE TEMOIN TENSION	SPANNUNGSKONTROLLEUCHTE	LÁMPARA PILOTO VOLTAJE	KONTROLELAMPJE SPANNING
L5	LAMPADA SPIA RISCIAQUO FREDDO	COLD-RINSE LIGHT	LAMPE TEMOIN RINCAGE FROID	KONTROLLEUCHTE KALTWASSERNACHSPULUNG	LÁMPARA PILOTO ENJUAGUE FRÍO	KONTROLELAMPJE KOUDE AFSPOELING
MP	MICRO PORTA	DOOR MICROSWITCH	MOCRO PORTE	MICROSCHALTER TUR	MICRO PUERTA	MICRO DEUR
N	CONDUTTORE NERO	BLACK CONDUCTOR	NOIR FIL CONDUCTEUR	SCHWARZE LEITUNG	CONDUCTOR NIGRO	ZWART LEIDINGEN
O	CONDUTTORE ARANCIO	ORANGE CONDUCTOR	ORANGE FIL CONDUCTEUR	DONKELORANGE LEITUNG	CONDUCTOR ANARANJADO	ORANGE LEIDINGEN
P	PRESSOSTATO	PRESSURE SWITCH	PRESSOSTAT	NIVEAUSCHALTER	PRESÓSTATO	PRESSOSTAAT
P1	PRESSOSTATO POMPA SCARICO	DRAIN PUMP PRESSURE SWITCH	PRESSOSTA POMPE DE VIDANGE	ABLAUF PUMPE NIVEAUSCHALTER	PRESÓSTATO BOMBA DESCARGA	PRESSOSTAAT AFVOERPOMP
P2	PRESSOSTATO BREAK TANK	BREAK TANK PRESSURE SWITCH	PRESSOSTA BREAK TANK	BREAK TANK NIVEAUSCHALTER	PRESÓSTATO BREAK TANK	PRESSOSTAAT BREAK TANK
PA	PULSANTE AVVIO CICLO	CYCLE START PUSH BUTTON	BOUTON MISE EN MARCHÉ CYCLE	DRUCKKNOPF INBETRIEBSETZUNG	PULSADOR ARRANQUE CICLO	DRUKKNOP START CYCLUS
PR	PULSANTE RIGENERA	REGENERATION PUSH BUTTON	BOUTON REGENERATION	DRUCKKNOPF REGENERIERUNG	PULSADOR REGENERACIÓN	DRUKKNOP REGENERATIE
PRF	PULSANTE RISCIAQUO FREDDO	COLD RINSE BUTTON	BOUTON DE RINCAGE FROID	KIPPSCHALTER KALTWASSERNACHSPUL	PULSADOR ENJUAGUE FRÍO	DRUKKNOP AFSPOELING
PS	POMPA SCARICO	EXHAUST PUMP	ELECTROPOMPE DE VIDANGE	ABLAUF PUMPE	BOMBA DESCARGA	AFVOERPOMP
PW	ALIMENTATORE	POWER SUPPLY	ALIMENTATEUR	NETZANSCHLUSSGERÄT	ALIMENTADOR	VOEDING
R	CONDUTTORE ROSSO	RED CONDUCTOR	ROUGE FIL CONDUCTEUR	ROTE LEITUNG	CONDUCTOR ROJO	ROOD LEIDINGEN
RB	RESISTENZA BOILER	BOILER RESISTANCE	RES. CHAUFFE- EAU	BOILERHEIZKORPER	RESISTENCIA BOILER	WEERSTAND BOILER
RE	RELÉ ELETTROPOMPA	MOTOR PUMP RELAY	RELAIS ELECTROPOMP	ELEKTROPUMPE RELAIS	RELÉELECTRO BOMBA	RELAIS ELEKTROPOMP
RE1	CONTATTI RELÉ ELETTROPOMPA	MOTOR PUMP RELAY CONTACTS	CONTACTS RELAIS ELECTROPOMP	KONTAKTE ELEKTROPUMPE RELAIS	CONTACTOS RELÉELECTRO BOMBA	CONTACTEN RELAIS ELEKTROPOMP
RV	RESISTENZA VASCA	SAFETY RELAY CONTACTS	RES. CUVE	TANKHEIZKORPER	RESISTENCIA TANQUE	WEERSTAND KUIP
S	SELETORE CICLI	CYCLES SELECTOR	SELECTEUR CYCLES	ZYKLUS WAHLSCHALTER	SELECTOR CICLOS	PROGRAMMAVERLOOP INDICATIE
TB	TERMOSTATO BOILER	BOILER THERMOSTAT	THERM. CHAUFFE-EAU	BOILER-THERMOSTAT	TERMÓSTATO BOILER	THERMOMETER BOILER
TE	TIMER FUNZIONALE	FUNCTIONAL TIMER	TIMER FUCTIONNEL	ZEITSCHALTUHR	TIMER FUNCIONAL	TIMER
TM	TERMICA MOTORE	OVER TEMPERATURE PROTECTION	PROTECTION CONTRE LA SURCHAUFFE	ÜBERTEMPERATURSCHUTZ	SOBRE LA PROTECCIÓN DE LA TEMPERATURE	TE HOGE TEMERATUUR BESCHERMING
TS	TERMOSTATO SICUREZZA	SAFETY THERMOSTAT	THERMOSTAT DE SECURETE	SICHERHEITS THERMOSTAT	TERMÓSTATO SEGURIDAD	THERMOMETER ZIJN
TV	TERMOSTATO VASCA	TUB THERMOSTAT	THERMOSTAT CUVE	TANKTHERMOSTAT	TERMÓSTATO TANQUE	THERMOMETER KUIP
V	CONDUTTORE VIOLA	PURPLE CONDUCTOR	VIOLET FIL CONDUCTEUR	VIOLETTE LEITUNG	CONDUCTOR VIOLETA	PAARS LEIDINGEN
W	CONDUTTORE BIANCO	WHITE CONDUCTOR	BLANCO FIL CONDUCTEUR	WEISSE LEITUNG	CONDUCTOR BLANCO	WIT LEIDINGEN