

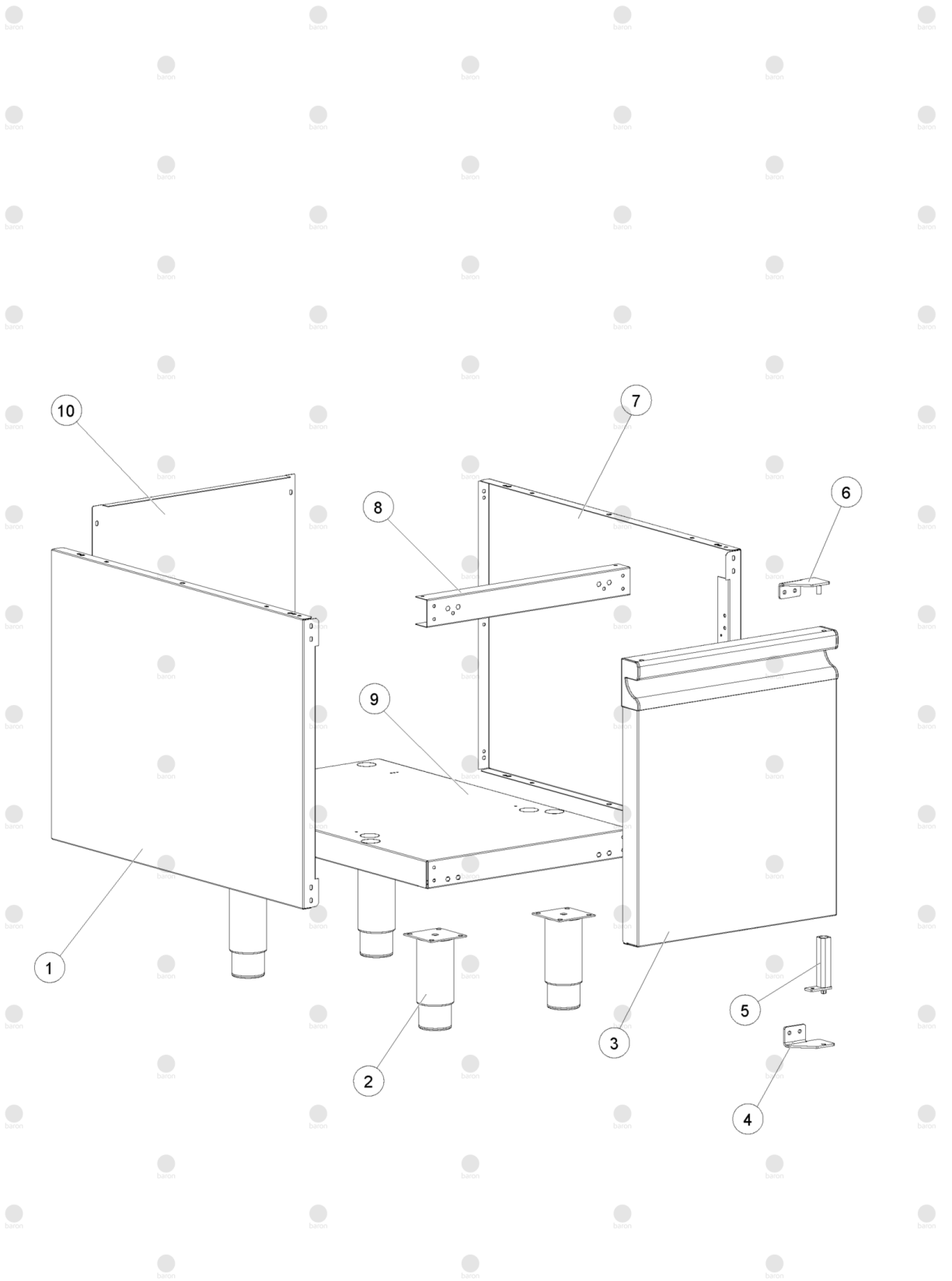
Table_A

EDITION 06 2019

CR1017909 - CR1017919 Q90BM-BMV/E410

Pos	Art.- Nr.	Bezeichnung
0001	BN2540060	HALTERUNG [C]
0002	CR1365520	ASS.PIEDINO /13/4 INOX FLANG.H150
0002	CR1511210	PIEDINO PER TOP 11/2 INOX REG. 75-84
0002	MA1036500500	FUSS [C]
0003	SI8208290	TRONCHETTO PER CARICO ACQUA
0004	CR1313340	VALVOLA ANTIRIFLUSSO EA
0005	CR1020950	CONTRODADO OBO 116/P16 NY
0006	CR1020940	KABELKLEMMME - KIT 10 STÄCK
0007	MA1878400	KLEMMBRETT [C]
0008	CR1265630	DISTANZIERSTÄCK [C]
0009	CR0585560	DISTANZIERSTÄCK [C] BEDIENUNGSBRETT
0010	CR1176690	MANIGLIA PORTA M40 OLIS
0011	CR1312720	ARMATURENBRETT [C]
0012	CR0971800	SUPPORTO MORSETTIERA INF. BAGNOMARIA
0013	CR1074820	SUPPORTO MORSETTIERA SUP. BAGNOM/BARON
0014	MA1634200	HEIZELEMENT [C] WASSERBAD
0015	CR1312820	FONDO BM/SP 90 M40 BARON B18
0016	CR0585100	SCATOLA RESISTENZA BAGNOMARIA 900 M40
0017	MACM125600	SUPPORTO RESISTENZE BAGNOMARIA M40
0018	CR1265740	ASS.FIANCO DX TOP 900 BARON B18
0019	SI0100495	WASSERZULAUFDÄSE F.BAINMARIE
0020	CR1228790	CONTRODADO DA 1/2 X RACC.TUBO FLES.
0021	SI0100684	GUMMIHALTER 3/8
0022	MA1528200	DICHTUNG FUER BM900 1M GAS/EL.
0023	CR0584330	SUPPORTO BULBO SICUREZZA BM EL.900
0024	CR1312880	ASS.PIANO-VASCA BAGNOM.90 M40 EL. BA B18
0025	CR0586410	SUPPORTO BULBO LAVORO BM 900
0026	SI8205240	ROHR [C]
0027	MA1033501800	SCELLE [C]
0028	BN6A036203	2 POLE-KLEMMBRETT [C]
0029	MA1230100	SCHALTER [C]
0030	CR0587650	DICHTUNG [C] WELLE
0031	CR1176160	PLACCA CROMATA MANOPOLA BARON B18
0032	CR1176420	SCHEIBE [C] PLATTE D. 76,5 BARON
0033	CR1360950R	MANOP. COMP. ALB. D.6 C/MOLLA CROMAT.B18
0034	CR0410290	KNOPF [C]
0035	CR0410310	DECKEL [C] SP60PRT1
0036	CR1176370	SCHEIBE [C] PLATTE D. 76,5 BARON
0037	MA1037035015	THERMOSTAT [C] 30°-90°C
0038	CR1312660	SUPPORTO TERMOST.SIC.BAGNOM.EL.BARON B18
0039	CR0585120	TERMOSTATO SICUREZZA BM EGO 55.32522.858
0040	SI0109157	FLEXROHR [C] L. 1000
0041	CR1220380R	MAGNETVENTIL [C] WASSER
0042	SI8205210	SUPPORTO ELETTRIC.BAGNOMARIA
0043	SI0100655	RIDUZIONE 3/4F CIL.1/2M CON. IN PLASTICA
0044	CR0587500	ORANGE KONTROLLAMPE [C] ~13,5MM 230V
0045	CR1265620	FLANSCH

Pos	Art.- Nr.	Bezeichnung
0046	CR1265750	ASS.FIANCO SX TOP 900 BARON B18
0047	CR0583890	DOPPELBODEN [C]
0048	MACM142000	DICHTUNG [C] 20,22X3,53
0049	MACM142100	UEBERLAUFROHR [C] WASSERBAD
0050	CR1225820	SCHIENALE TOP M40 304
0051	CR0583910	QUERHAUPT [C]
0052	CR1314430	VERSCHLUSS [C] RAUCHABZUG BARON
0053	CR1176580	SCHUTZGITTER [C] RAUCHABLAUF
0054	CR0587640	PROFILO GUARNIZIONE CRUSCOTTI
0055	SI8205270	CABLAGGIO BAGNOMARIA M40



Table_B

EDITION 06 2019

CR1017909 - CR1017919 Q90BM-BMV/E410

Pos	Art.- Nr.	Bezeichnung
0001	CR0901800	BEDIENUNGBRETT [C]
0002	MA6086113	FUSSGRUPPE [C] H. 200
0003	CR1177400	PORTA MONTATA 40-80 DIAMAN.70-90/10 LOGO
0004	CR1024540	CERN. INFER. DX PORTA AUTOCHIUDENTE 1100
0004	CR1024550	CERN. INFER. SX PORTA AUTOCHIUDENTE 1100
0005	BN1412052	UNTERE SCHARNIER [R]
0006	CR1024560	ASS. CERN. SUP. DX PORTA AUTOCHIUD. 1100
0006	CR1024570	ASS. CERN. SUP. SX PORTA AUTOCHIUD. 1100
0007	CR0901800	BEDIENUNGBRETT [C]
0008	CR0901600	TRAVERSA SUPERIORE BASE VANO M40 BARON
0009	CR0901590	RIPIANO INFERIORE VANO 900 M40 BARON
0010	CR1225920	SCHIENALE BASE VANO M40 304