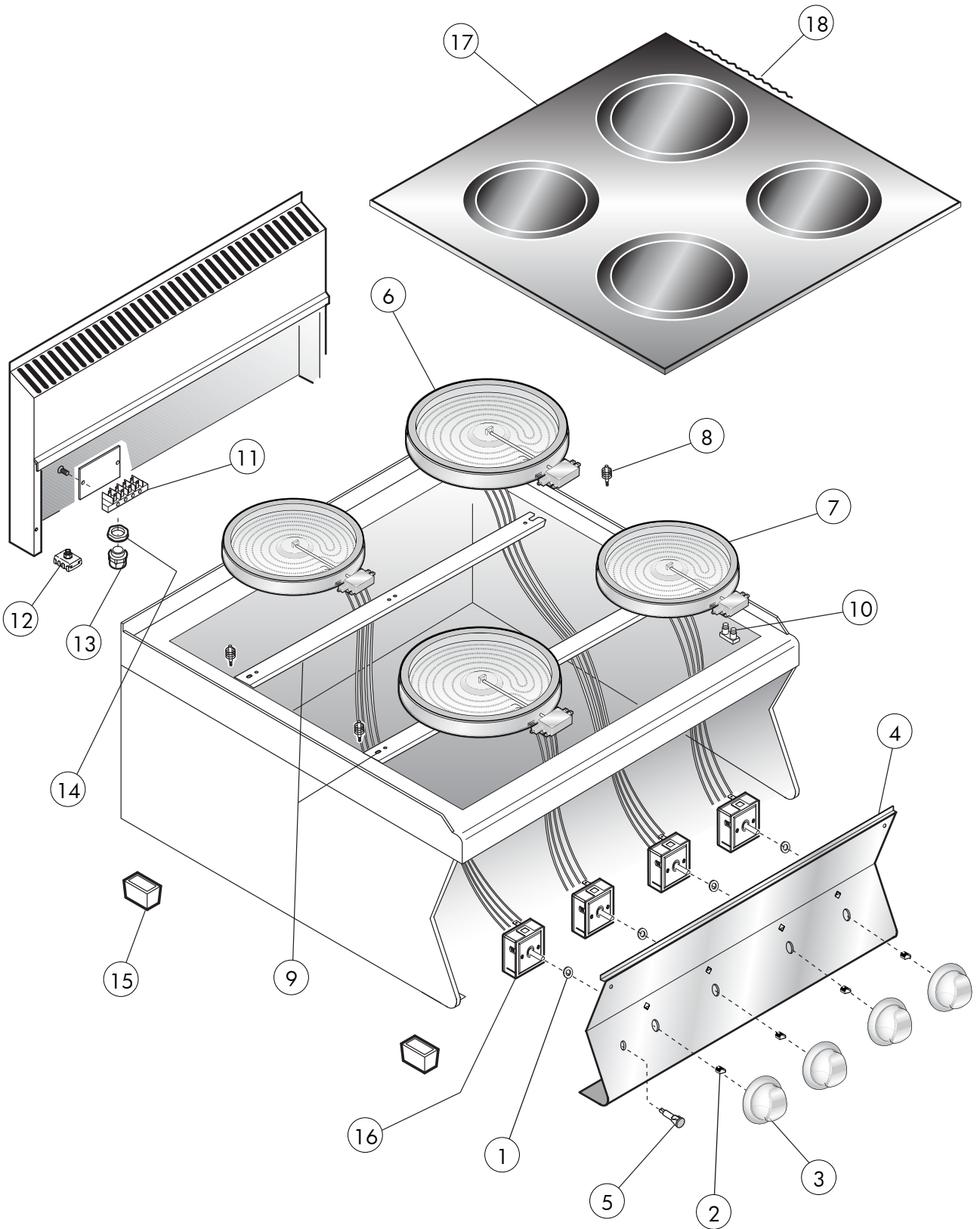


Series 650
ELECTRIQUES VERRE CERAMIQUE
ELEKTROHERDE GLASKERAMIK



Table_A

EDITION 01 2012

0855839

6NPC I-722

Series 650

Electriques verre ceramique
Elektroherde glaskeramik

Table_A

| POS. | CODE | PIECES | DESCRIPTION | BESCHREIBUNG | DATA | C |
|------|--------------|--------|------------------------|-----------------------|------|---|
| 1 | CR0587650 | 4 | JOINT COMMUTATEUR | SCHALTERDICHTUNG | | |
| 2 | MA9003088700 | 4 | RESSORT | SPRINGFEDER | | |
| 3 | CR0933120 | 4 | MANETTE | DREHNKOPF | | |
| 4 | CR0931180 | 1 | PANNEAU FRONTAL | FRONTBLENDE | | |
| 5 | CR0587500 | 1 | VOYANT ORANGE | ORANGE LEUCHE | | |
| 6 | CR0791310 | 2 | RESISTANCE 2,5 KW | HEIZKÖRPER 2,5 KW | | |
| 7 | CR0930620 | 1 | RESISTANCE 1,8 KW | HEIZKÖRPER 1,8 KW | | |
| | CR0930610 | 1 | RESISTANCE 1,2 KW | HEIZKÖRPER 1,2 KW | | |
| 8 | MACM294000 | 4 | RESSORT PLAQUE | PLATTENFEDER | | |
| 9 | CR0848170 | 2 | SUPPORT RESISTANCE | HEIZKÖRPERHALTERUNG | | |
| 10 | CR0792810 | 4 | CHALEUR RESTANTE | RESTITZELAMPE | | |
| 11 | MA1037104000 | 1 | BORNIERE 6 POLES | 6-POULIGE KLEMMLEISTE | | |
| 12 | MA1878400 | 1 | BORNIERE A PEIGNE | KAMM-KLEMMLEISTE | | |
| 13 | MA1037112400 | 1 | PRESSE-CABLE | KABELPRESSE | | |
| 14 | MA1037114500 | 1 | CONTRE-ECRU | GEGENMUTTER | | |
| 15 | MA1036021613 | 4 | PIED | FUSS | | |
| 16 | LA65080250 | 4 | COMMUTATEUR PLAQUE EGO | PLATTENSCHALTER EGO | | |
| 17 | CR0930580 | 1 | VERRE CERAMIQUE | GLASKERAMIK | | |
| 18 | CR0411400 | 1 | "SILICONE" HAUTE TEMP. | "SILICONE" HOCH TEMP. | | |
| | | | | | | |
| | | | | | | |

* >>> Rechange conseillé - Empfohlener Austausch