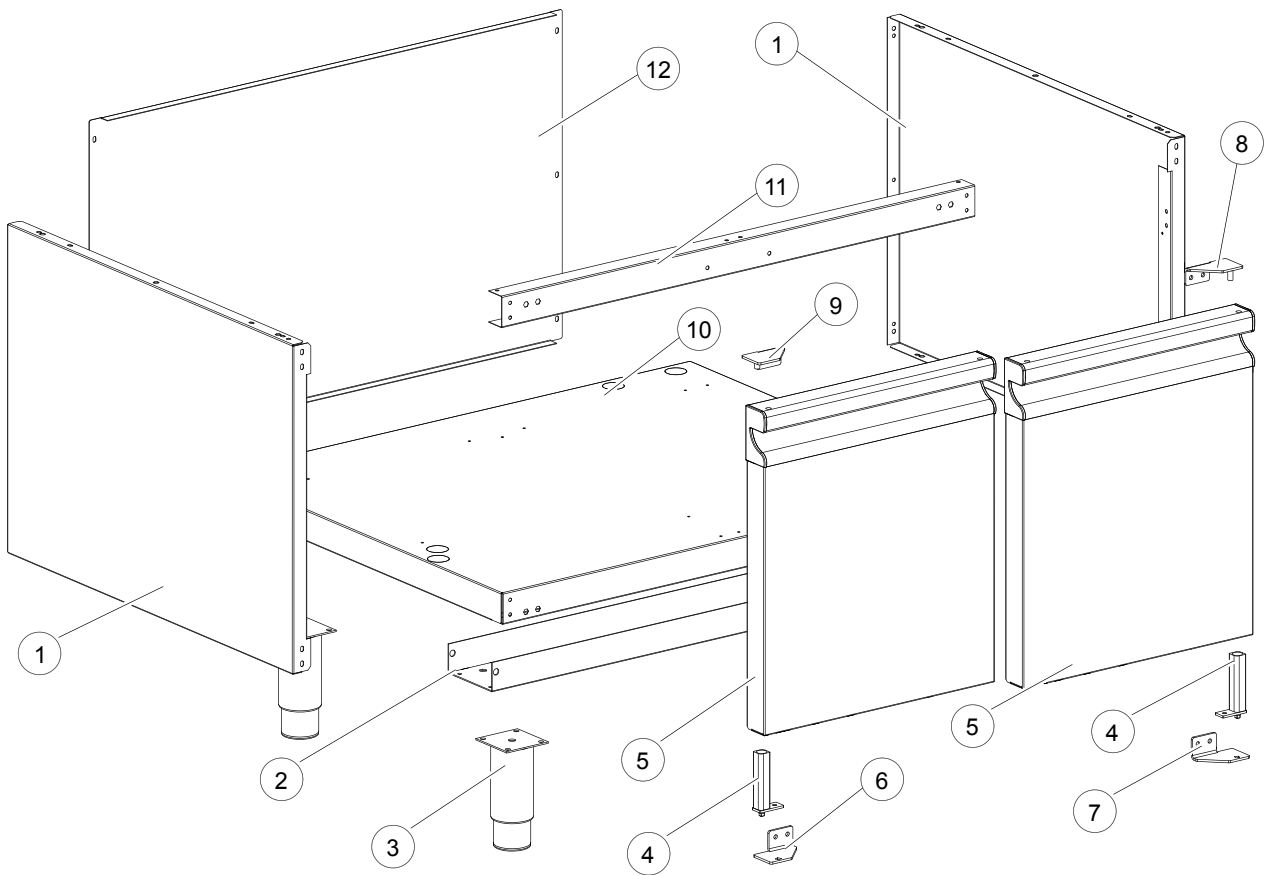


Table_A



QUEEN7
ELECTRIC RANGES WITH CERAMIC GLASS / CUCINE VETROCERAMICA



Table_B

EDITION 03 2019

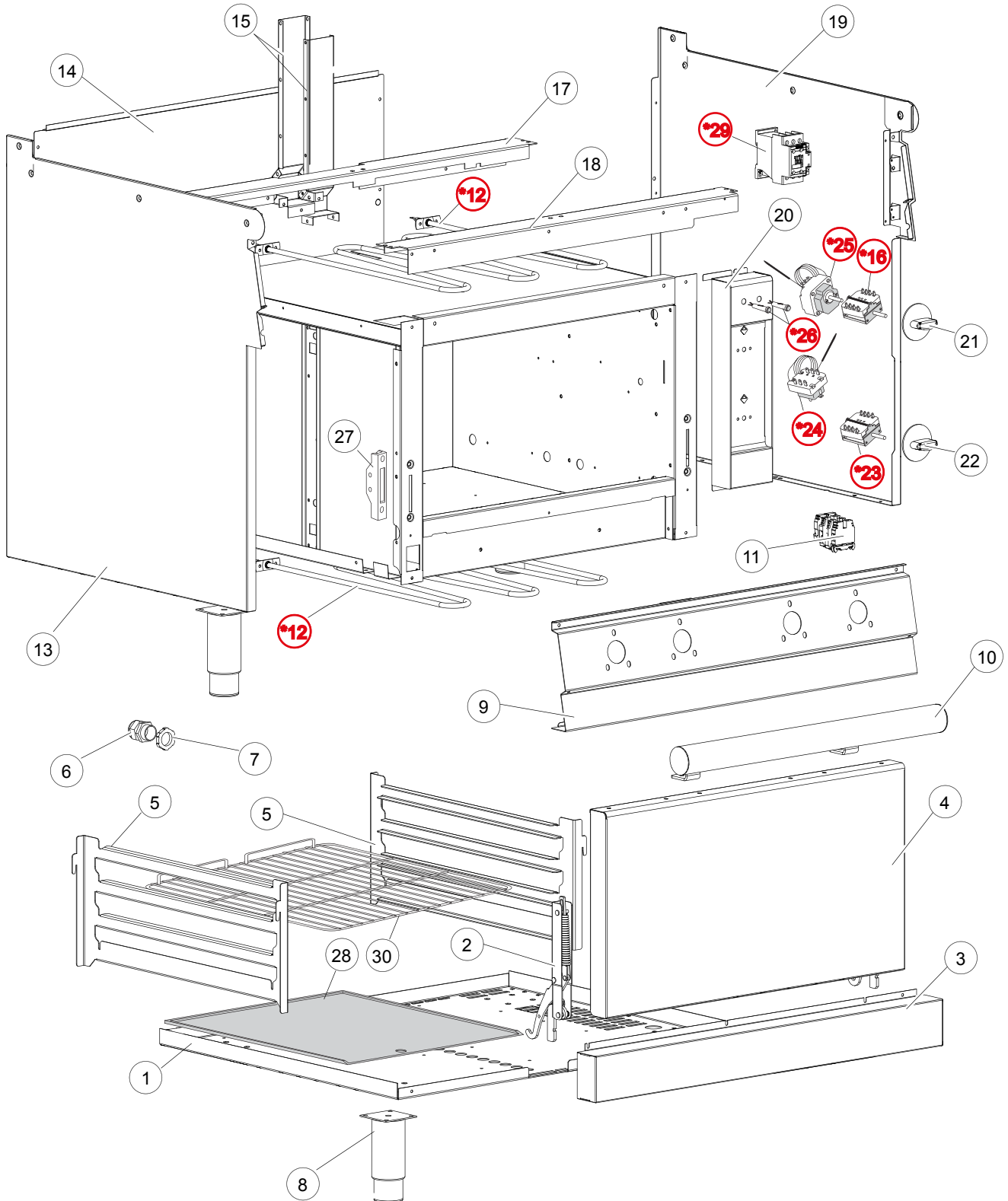
* >>> Ricambio consigliato/raccomended part
#>>> Accessorio/accessory

CR1012989 - CR1012969 - CR1012949 Q70PC-PCV-PCF/VCE800



baron

QUEEN7
ELECTRIC RANGES WITH CERAMIC GLASS / CUCINE VETROCERAMICA



Table_B

EDITION 03 2019

* >>> Ricambio consigliato/raccomended part
#>>> Accessorio/accessory

CR1012989 - CR1012969 - CR1012949 Q70PC-PCV-PCF/VCE800

QUEEN7

ELECTRIC RANGES WITH CERAMIC GLASS / CUCINE VETROCERAMICA

Table_A

POS.	CODE/CODICE	PIECES	DESCRIPTION	DESCRIZIONE	DATA	R.C.
1	CR1022800	1	BOTTOM PANEL REINFORCEMENT	SQ.RINF.FONDO TUTTAPIASTRA M80 700 BARON		
2	MA1878400	1	EQUIPOTENTIAL TERMINAL	MORSETTO A PETTINI BM5251 X EQUIPOTENZ.		
3	CR0973570	1	BOTTOM PANEL	FONDO TOP TP EL./IRRAGG. M80 700 BARON		
4	BN2540060	4	FEET SUPPORT	SUPPORTO PIEDINO APP. TOP 70/02		
5	MA1036500500	4	ADJUSTABLE FEET	PIEDE REGOLAB.6 40 M8 PRP 114015		
6	CR1020960	1	CABLE PRESS	PRESSACAVO OBO V-TEC PG21 LGR 2024764		
7	CR1020970	1	CABLE PRESS NUT	CONTRODADO OBO 116 VDE PG21 PA 2048221		
8	MA1986700	1	CAPACITOR SUPPORT	SQUADRETTA SUPPORTO FILTRI		
9	CR0733030	3	CAPACITOR	FILTRO ANTIDISTURBO DEM FC701Y2FL		*
10	CR1176730	1	ASSEMBLY DASHBOARD HANDLE	ASS. TUBO FRONTALE CRUSCOT.M80 BARON B18		
11	CR0587500	1	ORANGE LIGHT	SPIA ARANCIO C.GUARNIZ.3SESX31B11E2H000		*
12	CR1315370	1	CERAMIC GLASS DASHBOARD	CRUSCOTTO IRRAGGIAM. 700 M80 BARON B18		
13	CR1265630	2	BOTTOM DASHBOARD SPACER	DISTANZIALE CRUSCOTTI BARON B18		
14	CR0585560	4	DASHBOARD SPACER	DISTANZIALE PER CRUSCOTTO		
15	CR0587640	1,3	DASHBOARD GASKET	PROFILO GUARNIZIONE CRUSCOTTI		
16	CR0903310	1	REAR DASHBOARD PROTECTION	PROTEZIONE COM. CUC.EL./IRRAGG. M80 BARO		
17	CR0791330	1	ASSEMBLY WIRING	CABLAGGIO NV78E		
18	CR1265790	1	LEFT ASSEMBLY SIDE PANEL	ASS.FIANCO SX TOP 700 BARON B18		
19	CR1315320	1	ASSEMBLY TOP PLATE	ASS.PIANO VTC/IND 700 M80 BARON B18		
20	CR0588170	1	TERMINAL BOARD	MORSETTIERA NOVA KL116E 6 POLI 40A		
21	CR0902050	1	TERMINAL BOARD SUPPORT	SUPPORTO MORSETTIERA MULTIPLA BARON		
22	CR1176130	4	ASSEMBLY KNOB	MANOPOLA ALBERINO D.6 CROMATA BARON B18		
23	CR1176380	2	FRONTAL KNOB DISC	DISCO PLACCA D76.5 REG.ENE.ANT.BARON B18		
	CR1176390	2	REAR KNOB DISC	DISCO PLACCA D76.5 REG.ENE.POS.BARON B18		
24	CR1176160	4	UNDER KNOB	PLACCA CROMATA MANOPOLA BARON B18		
25	CR0588510	4	KNOB GASKET	GUARNIZIONE CRUSCOTTI ELETTRICI 900		*
26	MACM293900	4	ENERGY REGULATOR	REGOLATORE ENERGIA EGO 50.55021.100		*
27	CR1265620	4	UNION BRACKET	STAFFA UNIONE ANT. APPARECCHIATURE B18		
28	CR0792830	1	RESIDUAL HEAT LIGHT SUPPORT	SUPPORTO SPIE CALORE RESIDUO M80		
29	CR0792810	4	RESIDUAL HEAT LIGHT	SPIA CALORE RESIDUO		*
30	CR1023010	1	REAR PANEL	BN-SCHIENALE TOP M80 BARON		
31	CR0791300	2	HEATING ELEMENT CROSSBAR	TRAVERSINO SUPPORTO ELEMENTI RADIANTI		
32	CR0791310	4	HEATING ELEMENT 2,5KW	ELEMENTO RADIANTE 2,5KW EGO1073631004/03		*
33	CR1176580	2	CHIMNEY GRID	GRIGLIA SC/FUMI GHISA M40 BARON B18		
34	CR1311670	1	REAR CHIMNEY PROTECTION	PROTEZIONE POST. CAMINO M80 B18		
35	CR0739250	1	CERAMIC GLASS M80	VETROCERAMICA CUCINA INDUZIONE 700 M80		
36	BN6A008710	4	INOX NUT M5	DADO M 5 INOX		
37	MA1033501900	2	WASHER 6.6X24	ROSETTA PIANA ZN/CROMATA 6.6*24 6593		
38	MACM294000	2	HEATING ELEMENT SPRING	MOLLA PER ELEMENTO RADIANTE		
39	BN6A005301	2	WASHER D.5	ROSETTE PIANE DIAM. 5 A2		
40	BN6A006600	2	ESAGONAL INSERT M5	INSERTI FIL.TFL ESAGO M5 RF41		
41	CR0820260	3	CROSSBAR SUPPORT	SUPPORTO TRAVERSINO IRRAGGIAMENTO 700		
42	CR0684800	2	BOLT M5X35	VITE TE 4.8 ZN M 5X35 UNI EN 24017		
43	CR1313790	4	TOP PLATE SPACER	SPESSORE INTERMEDIO TESTATINE		
44	CR1265780	1	RIGHT ASSEMBLY SIDE PANEL	ASS.FIANCO DX TOP 700 BARON B18		
45	BN6A098350	1	SILICON 310ML	SILICONE NOVASIL S56 310ml 7056404		

Table_B

POS.	CODE/CODICE	PIECES	DESCRIPTION	DESCRIZIONE	DATA	C
1	CR0907020	1	EXTERNAL SIDE PANEL	FIANCO BASE VANO 700 BARON		
2	CR0584660	2	BOTTOM CROSSBAR	TRAVERSA INFERIORE VANO M80		
3	MA6086113	4	ASSEMBLY FEET	ASS.PIEDINO /1"3/4 INOX FLANG.H150		
4	BN1412052	1	HINGE SPRING	CERNIERA INF PIVOT CT5000		
5	CR1177380	1	ASSEMBLY DOOR	PORTA MONTATA VANO M20 BARON B18		
6	CR1024550	1	LEFT BOTTOM HINGE	CERN. INFER. SX PORTA AUTOCHIUDENTE 1100		
7	CR1024540	1	RIGHT BOTTOM HINGE	CERN. INFER. DX PORTA AUTOCHIUDENTE 1100		
8	CR1024560	1	RIGHT UPPER HINGE	ASS. CERN. SUP. DX PORTA AUTOCHIUD. 1100		
9	CR1024570	1	LEFT UPPER HINGE	ASS. CERN. SUP. SX PORTA AUTOCHIUD. 1100		
10	CR0907180	1	BOTTOM PANEL	RIPIANO INFERIORE VANO 700 M40 BARON		
11	CR0901640	1	TOP CROSSBAR	TRAVERSA SUPERIORE BASE VANO M40 BARON		
12	CR0583400	1	REAR PANEL	SCHIENALE BASE VANO M40		

* >>> Ricambio consigliato

>>> Accessorio

Table_A

POS.	CODE/CODICE	PIECES	DESCRIPTION	DESCRIZIONE	DATA	C
1	CR0909850	1	OVEN BOTTOM PANEL	FONDO BASE FORNO M80 700 BARON		
2	BN6A035910	1	LEFT OVEN DOOR HINGE	CERNIERA PORTA FORNO SX 45010952		
	BN6A035920	1	RIGHT OVEN DOOR HINGE	CERNIERA PORTA FORNO DX 45015851		
3	CR1177930	1	OVEN BOTTOM DASHBOARD	CRUSCOTTO INFERIORE FORNO M80 BARON B18		
4	CR1177460	1	ASSEMBLY OVEN DOOR	PORTA MONTATA FORNO BARON B18		
5	BN41821300150	2	OVEN GRID SUPPORT	SUPPORTO GRIGLIA FORNO 700		
6	CR1020960	1	CABLE PRESS	PRESSACAVO OBO V-TEC PG21 LGR 2024764		
7	CR1020970	1	CABLE PRESS NUT	CONTRODADO OBO 116 VDE PG21 PA 2048221		
8	MA6086113	4	ASSEMBLY FEET	ASS.PIEDINO /1"3/4 INOX FLANG.H150		
9	CR1317390	1	TOP DASHBOARD	CRUSCOTTO PCF/G M80 BARON B18		
10	CR1176810	1	OVEN DOOR HANDLE	ASS. MANIGLIA PORTA FORNO BARON B18		
11	BN6A035010	3	GREY TERMINAL	MORSETTO PASS.10 CBD10		
	BN6A035020	1	BLUE TERMINAL	MORSETTO PASS.10 BLU CBD10 (EX)I10		
	BN6A035030	1	GROUND TERMINAL	MORSETTO TERRA TE10/O CABURTO500		
	BN6A035070	1	LOCK TERMINAL	BLOCCETTO TERMIN. BTO		
12	BN826620041	4	HEATING ELEMENT 1.5KW	RES.1500W/ 230V F90/04 1G1K1H979002		*
13	CR1314410	1	LEFT OVEN SIDE PANEL	ASS.FIANCO SX FORNO MONOB.700 BARON B18		
14	CR0689670	1	REAR PANEL	SCHIENALE MONOBLOCCO M80 700		
15	BN826140810	1	OVEN BREATHER	ASS. SFIATO CAMERA FORNO EL 70BARON		
16	BN6A046001	1	THERMOSTAT SWITCH	COMMUT. PER TERM. 3F F 4941015500		*
17	BN41821210200	1	OVEN REAR CROSSBAR	TRAVERSA SUP. POST. FORNO 700		
18	BN821210040	1	OVEN FRONTAL CROSSBAR	TRAV. SUP. ANTER. FORNO 90/04		
19	CR1314400	1	RIGHT OVEN SIDE PANEL	ASS.FIANCO DX FORNO MONOB.700 BARON B18		
20	CR1177910	1	ELETRIC OVEN DASHBOARD	ASSIEME CRUSCOTTO FORNO ELE. BARON B18		
21	CR1176490	1	OVEN THERMOSTAT KNOB	MANOPOLA ELET.50-300 D65 CH.6 CROMAT.B18		
22	CR1176500	1	OVEN SWITCH KNOB	MANOPOLA FE 4P 0-1-2-3 D65 CH.6 CROM.B18		
23	MA1309000	1	SWITCH	COMMUTATORE EGO - 4934615701 -		*
24	BN826630130	1	SAFETY THERMOSTAT	TERMOS. SIC. 360 3F 5532562806		*
25	BN826630123	1	THERMOSTAT 50-300	TERMOS. 50-300 3F 5534052807		*
26	CR0903610	1	GREEN LIGHT	SPIAVERDE C.GUARNIZIONE 3SESX31B11E3E000		*
	CR0587500	1	ORANGE LIGHT	SPIA ARANCIO C.GUARNIZ.3SESX31B11E2H000		*
27	MA1304500	2	HINGE ROLLER HOLDER	STAFFA PORTARULLINO 45508410		
28	BN41821410191	1	OVEN INTERNAL PANEL	SUOLA FORNO 700		
29	BN6A047031	1	CONTACTOR 20A	MINICONTAT.20A MC1 A301AT6 G.EL		*
30	BN41826330030	1	OVEN GRID	BN-GRIGLIA FORNO 700		

* >>> Ricambio consigliato

>>> Accessorio