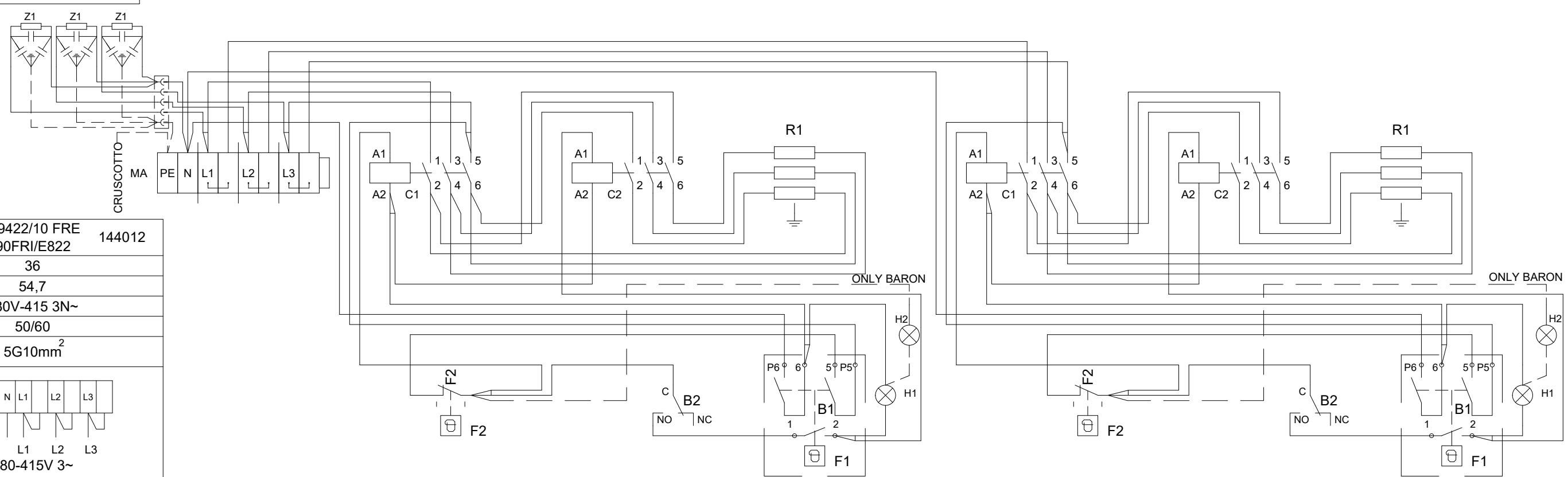
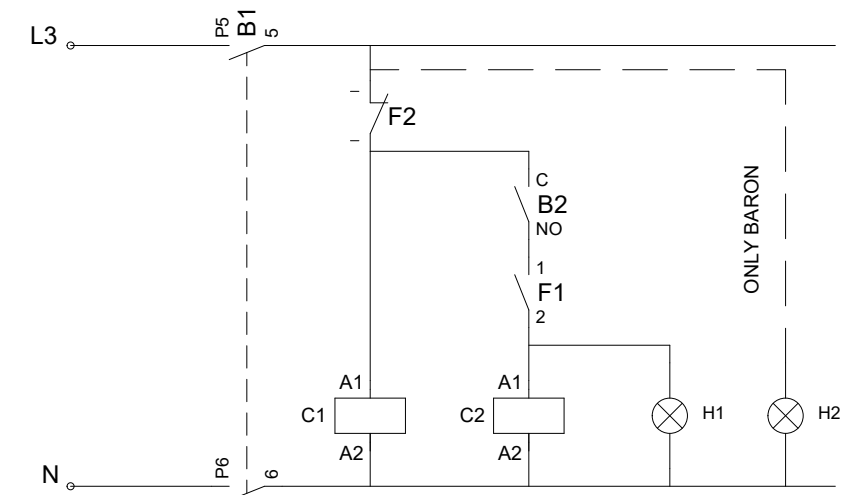
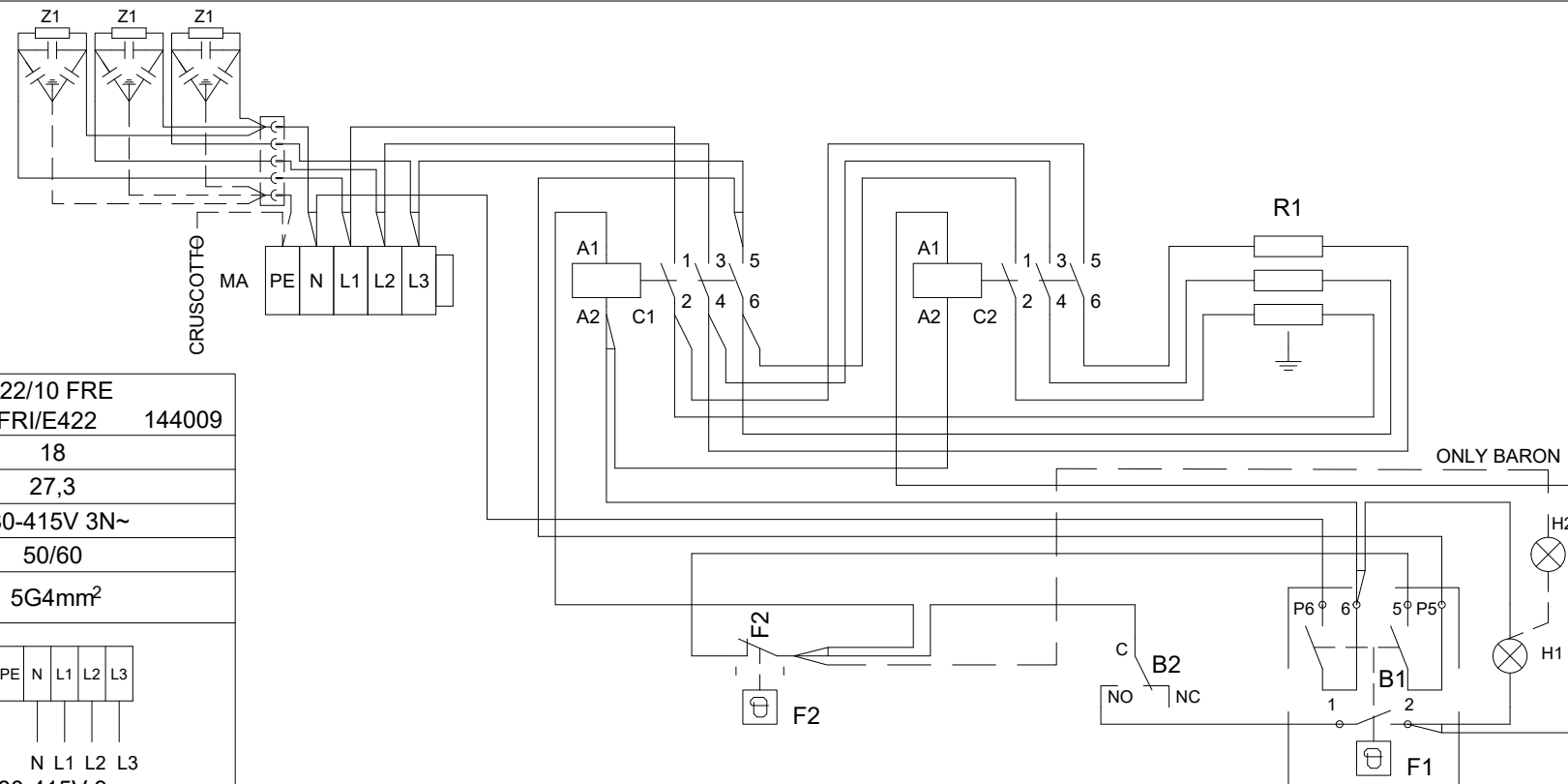


Mod	(D9222/10 FRE Q90FRI/E422 144009
P(KW)	18
I(A)	27,3
U(V)	380-415V 3N~
f(Hz)	50/60
Supply Cable	5G4mm ²

Mod	(D9422/10 FRE Q90FRI/E822 144012
P(KW)	36
I(A)	54,7
U(V)	380V-415 3N~
f(Hz)	50/60
Supply Cable	5G10mm ²



B1	INTERRUTTORE	INTERRUPTEUR	CUT-OFF SWITCH	EIN-AUS SCHALTER	F2	LIMITATORE DI TEMPERATURA	LIMITEUR DE TEMPERATURE	TEMPERATURE LIMITER	TEMPERATURBEGRENZER
B2	MICROINTERRUTTORE	MICRO-INTERRUPTEUR	MICROSWITCH	MICROSCHALTER	H1	SPIA ARANCIO	LAMPE ORANGE	ORANGE PILOTLIGHT	ORANGE LAMPE
C1	CONTATTORE DI SICUREZZA	CONTACTEUR DE SECURITE'	SAFETY CONTACTOR	SICHERHEITSSCHUETZ	MA	MORSETTIERA ARRIVO LINEA	BORNES ARRIVEE LIGNE	TERMINAL BLOCK	ANSCHLUSSKLEMME
C2	CONTATTORE	CONTACTEUR	CONTACTOR	KONTAKTSCHALTER	R1	RESISTENZA	RESISTANCE	HEATING ELEMENT	HEIZKORPER
F1	TERMOSTATO DI LAVORO	THERMOSTAT	THERMOSTAT	THERMOSTAT	Z1	FLTRO ANTIDISTURBO	FILTRE ANTI PARASITE'	SUPPRESSION FILTER	FUNKENTSTOERFILTER

21022B	00	PRIMA EMISSIONE	21/06/2021	TEGNER
	01	AGGIUNTO LAMPADINA H2 PER BARON	19/07/2023	VP
Rif	Rev	Description	Date	Author

Code	CR1515610		Drawing Description	SCHEMA ELETTRICO FRIG.22L.900 400V OL/BA		Rev.	01
Author	TEGNER		Document Type			Description	
Date	21/04/2021						



This document is exclusive property of ALI GROUP and should not be distributed, reproduced, into any other format without prior permission of ALI GROUP - Specifications subject to change without prior notice -