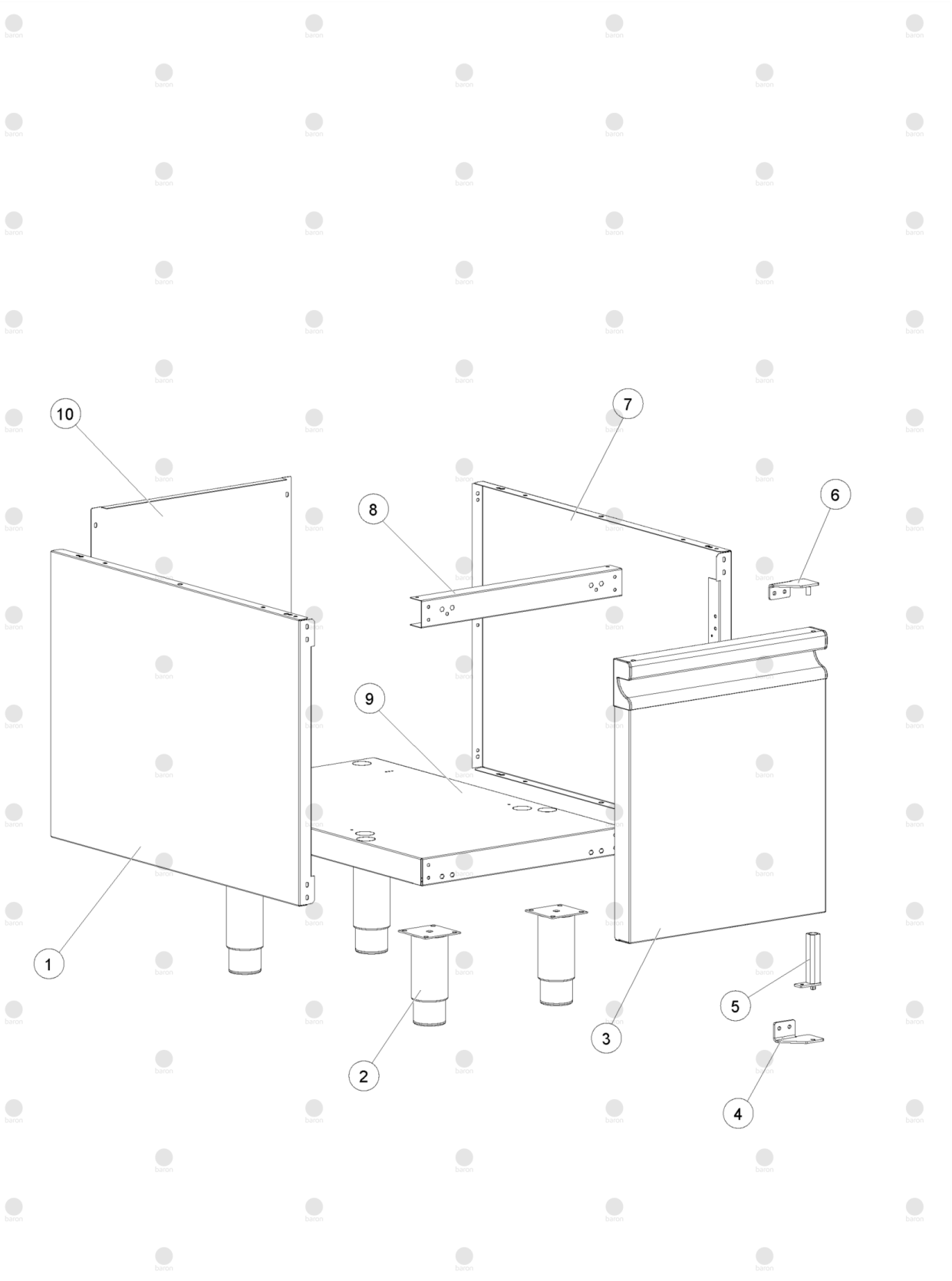


Table_A

EDITION 06 2019

CR1014609 - CR1014619 Q70SP-SPV/E400

Pos	Art.- Nr.	Bezeichnung
0001	CR1312800	BODEN [C] M40 BARON B18
0002	BN2540060	HALTERUNG [C]
0003	MA1036500500	FUSS [C]
0005	CR1020940	KABELKLEMME
0006	CR1020950	CONTRODADO OBO 116/PG16 NY
0007	MA1878400	KLEMMBRETT [C]
0008	CR1176690	MANIGLIA PORTA M40 OLIS
0009	CR1265630	DISTANZIERSTÄCK [C]
0010	CR0585560	DISTANZIERSTÄCK [C] BEDIENUNGSBRETT
0011	CR0588180	3 POLE-KLEMMBRETT [C] 450V
0012	CR0971330	SUPPORTO MORSETTIERA BM ELE BARON
0013	CR0411661	PARETE LATERALE VASCA BSEI
0014	CR0411651	FASCIA VASCA BSEI
0015	MA1230100	SCHALTER [C]
0016	CR0587650	DICHTUNG [C] WELLE
0017	CR1176160	PLACCA CROMATA MANOPOLA BARON B18
0018	CR1176420	SCHEIBE [C] PLATTE D. 76,5 BARON
0019	CR1360950R	MANOP. COMP. ALB. D.6 C/MOLLA CROMAT.B18
0020	CR1176370	SCHEIBE [C] PLATTE D. 76,5 BARON
0021	MA1037117700	THERMOSTAT [C] 30°-90°C
0022	MA1988500	TRAGBÄGEL [C]
0023	MA1037313200	UMSCHALTER [C] 250V
0024	CR0418390	ELEMENTO FISSAGGIO RESISTENZA SP
0025	CR0413580	CABLAGGIO SCALDAPATATE 70/90
0026	CR1265790	LINKE FLANKE [C] TOP 700 BARON B18
0027	MA1037039513	HEIZELEMENT [C] 1000W 230V
0028	MA1033060700	ABSTANDSTUECK 10X1X16,5
0029	MA1044208200	SQU. FISSAGGIO BULBO
0030	CR1312140	ASS PIANO SCALDAP.M40 700 BARON B18
0031	CR0587500	ORANGE KONTROLLAMPE [C]
0032	CR1265620	FLANSCH
0033	CR1265780	RECHTE FLANKE [C] TOP 700 BARON B18
0034	CR0581360	SCHIENALE TOP M40
0035	MA1034039800	BECKER [C] GN 1/1 H. 150
0036	MA1044094400	DOPPELBODEN [C] KBS-4
0037	MA1037117600	2 POLE-KLEMMBRETT [C]
0038	CR0840790	HATERUNG GLÄHBIRNE [C]
0039	CR0840810	SUPPORTO MORSETTIERA LAMPADA NSP
0040	MA1037317601	HEIZELEMENT [C] 1000W 230V FSR
0041	CR0840780	RIFLETTORE LAMPADA SCALDAPATATE NSP
0042	CR0840800	DECKEL [C]
0043	CR1312760	CRUSCOTTO BAGN/SCALD.70 M40 EL.BARON B18
0044	CR0587640	PROFILO GUARNIZIONE CRUSCOTTI



Table_B

EDITION 06 2019

CR1014609 - CR1014619 Q70SP-SPV/E400

Pos	Art.- Nr.	Bezeichnung
0001	CR0907020	FIANCO BASE VANO 700 BARON
0002	MA6086113	FUSSGRUPPE [C] H. 200
0003	CR1177400	PORTA MONTATA 40-80 DIAMAN.70-90/10 LOGO
0004	CR1024540	CERN. INFER. DX PORTA AUTOCHIUDENTE 1100
0004	CR1024550	CERN. INFER. SX PORTA AUTOCHIUDENTE 1100
0005	BN1412052	UNTERE SCHARNIER [R]
0006	CR1024560	ASS. CERN. SUP. DX PORTA AUTOCHIUD. 1100
0006	CR1024570	ASS. CERN. SUP. SX PORTA AUTOCHIUD. 1100
0007	CR0907020	FIANCO BASE VANO 700 BARON
0008	CR0901600	TRAVERSA SUPERIORE BASE VANO M40 BARON
0009	CR0907120	RIPIANO INFERIORE VANO 700 M40 BARON
0010	CR0582760	SCHIENALE BASE VANO M40